

DRAWING NR. 619028

DO NOT SCALE THIS DRAWING

SPECIFICATIONS SUBJECT TO CHANGE

DRAWING VALID FROM

4/1/02

DRAWING PROTECTED BY © COPYRIGHT 1997

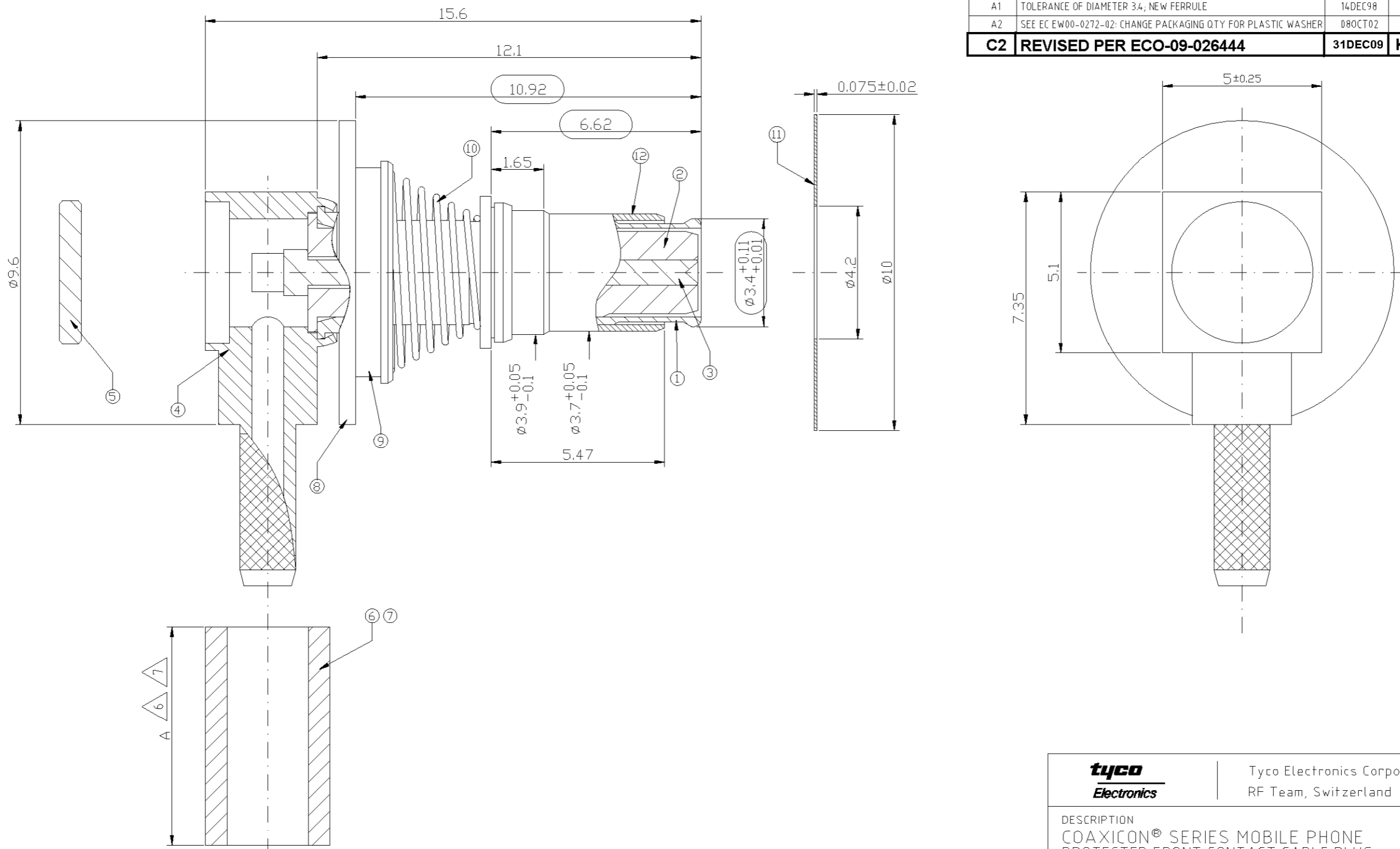
AMP COMPANY, ALL RIGHTS RESERVED

ARRETES NON COTEES PAS A L'ECHELLE

LES DONNEES TECHNIQUES PEUVENT ETRE CHANGEES

DESSIN VALABLE DEPUIS LE

REV.	CHANGE	DATUM	NAME
01	SPECIFICATION OF USE CHANGED	22OCT97	Thomas
02	NOTE 5 MODIFIED	02FEB98	Kempter
03	CHANGE QUANTITY PER PACKAGE	03APR98	Jacot
A	WIDTH OF SHELL ANGLE MODIFIED: NEW: 5 ±0.25; OLD: 4.95 ±0.2	18MAY98	Kempter
A1	TOLERANCE OF DIAMETER 3.4, NEW FERRULE	14DEC98	Kempter
A2	SEE EC EW00-0272-02: CHANGE PACKAGING QTY FOR PLASTIC WASHER	08OCT02	Kempter
<b>C2</b>	<b>REVISED PER ECO-09-026444</b>	<b>31DEC09</b>	<b>KK AEG</b>



		Tyco Electronics Corporation RF Team, Switzerland	
DESCRIPTION COAXICON® SERIES MOBILE PHONE PROTECTED FRONT CONTACT CABLE PLUG WITH HIGH SPRING FORCE COAXICON® SERIE TELEPHONE MOBILE PRISE FRONTALE PROTEGEE POUR CABLE AVEC GRANDE FORCE DE RAPPEL			
DIMENSIONS WITH ANY TOLERANCE ± 0.2		FORMAT A3	DRAWING NR. 619028
SCALE 8:1		SHEET 1 OF 2	REV. C2

ITEM NO.	PIECES	DESCRIPTION	MATERIAL	PLATING
-	-	-	-	-
		DRAWN BY S. Kempter	14.10.97	CHEKED BY D.Bozzer
				14.10.97

D  
C  
B  
A

DRAWING NR. 619028

4	3	2	1
DO NOT SCALE THIS DRAWING	SPECIFICATIONS SUBJECT TO CHANGE	DRAWING VALID FROM 4/1/02	DRAWING PROTECTED BY © COPYRIGHT AMP COMPANY, ALL RIGHTS RESERVED
ARRETES NON COTEES PAS A L'ECHELLE	LES DONNEES TECHNIQUES PEUVENT ETRE CHANGEES	DESSIN VALABLE DEPUIS LE	REV. CHANGE DATUM NAME
			<b>SEE SHEET 1</b>

1 PLATING : 0.1-0.2µm Au  
OVER MIDDLE 4.0µm NiP  
PLAQUAGE : Au 0.1-0.2µm  
SUR MOYEN 4.0µm NiP

2 Ni-PL., 2.0µm MIN.-4.0µm MAX. THK.  
Plaquage Ni 2.0µm MIN.-4.0µm MAX. d'épaisseur

3 CABLE : RG 174  
Cable : RG 174

4 1 CONNECTOR PACKED IN PLASTIC BAG  
1 CONNECTEUR EMBALLE DANS UN SACHET PLASTIQUE

5x100 PLUG-ASSY (POS1-4; 8-10; 12),  
5x100 LID (POS5), 5x100 FERRULE (POS6 OR 7),  
1x500 PLASTIC WASHER (POS11) EACH  
SEPARATELY FILLED IN PLASTIC BAGS,  
ALL PACKED IN A CARD BOX

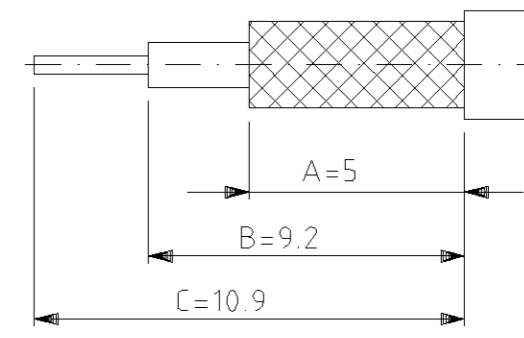
5 5x100 ASSEMBLAGE-PRISE (POS 1-4; 8-10; 12),  
5x100 CAPUCHON (POS5), 5x100 BAGUE DE SERTISSAGE  
(POS6 OU 7), 1x500 RONDELLE PLASTIQUE (POS11) EMBALLES  
SEPARÉMENT DANS UN SACHET PLASTIQUE,  
TOUS EMBALLES DANS UNE BOITE EN CARTON

6 HAND CRIMP TOOL FOR POS. 6  
AMP-PN 734537-1 (HEX. 3.25x8).  
OUTIL DE SERTISSAGE A MAIN POUR POS. 6  
AMP-PN 734537-1 (HEX. 3.25x8).

7 HAND CRIMP TOOL FOR POS. 7  
AMP-PN 354940-1 WITH AMP-PN 58425-2.  
OUTIL DE SERTISSAGE A MAIN POUR POS. 7  
AMP-PN 354940-1 AVEC AMP-PN 58425-2.

8 **OBSELETE PARTS: OBSELETE CIS STREAMLINING  
PER D.RENAUD/D.SINISI**

STRIPPING DIMENSIONS  
DIMENSIONS DE DENUDAGE



**OBSELETE**

**OBSELETE**

1		1	1						12	SAFETY RING ANNEAU DE PROTECTION	CuZn	2
-		-	1						11	WASHER RONDELLE	PLASTIC	
1		1	1						10	SPRING RESSORT	INOX STEEL	
1		1	1						9	SPRING SUPPORT GUIDE RESSORT	CuZn	2
1		1	1						8	WASHER RONDELLE	CuZn	2
1		-	-						7	FERRULE A = 9.6 BAGUE DE SERTISSAGE	SFCu	2
-		1	1						6	FERRULE A = 6.9 BAGUE DE SERTISSAGE	SFCu	2
1		1	1						5	LID CAPUCHON	CuZn	2
1		1	1						4	SHELL ANGLE BOITIER D'ANGLE	CuZn	2
1		1	1						3	CENTER CONTACT CONTACT CENTRAL	CuZn	1
1		1	1						2	DIELECTRIC DIELECTRIQUE		
1		1	1						1	OUTER SHELL CONTACT EXTERIEUR	Phosphorbronze	1

5-619028-4	5-619028-3	5-619028-2	5-619028-1	619028-4	619028-3	619028-2	619028-1	ITEM NO.	DESCRIPTION	MATERIAL	PLATING
5	5	5	5	4	4	4	4				

DRAWN BY S. Kempfer 14.10.97 CHEKED BY D.Bozzer 14.10.97

**tyco Electronics** | Tyco Electronics Corporation  
RF Team, Switzerland

DESCRIPTION  
COAXICON® SERIES MOBILE PHONE  
PROTECTED FRONT CONTACT CABLE PLUG  
WITH HIGH SPRING FORCE  
COAXICON® SERIE TELEPHONE MOBILE  
PRISE FRONTALE PROTEGEE POUR CABLE  
AVEC GRANDE FORCE DE RAPPEL



DIMENSIONS WITH ANY TOLERANCE ± 0.2 ± 2°	FORMAT A3	DRAWING NR. 619028
SCALE 10:1	SHEET 2 OF 2	REV. <b>C2</b>