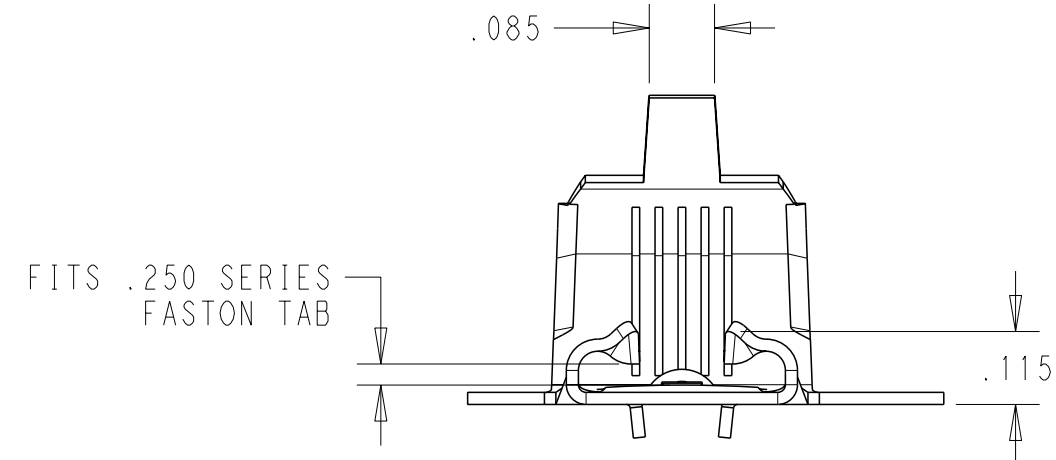
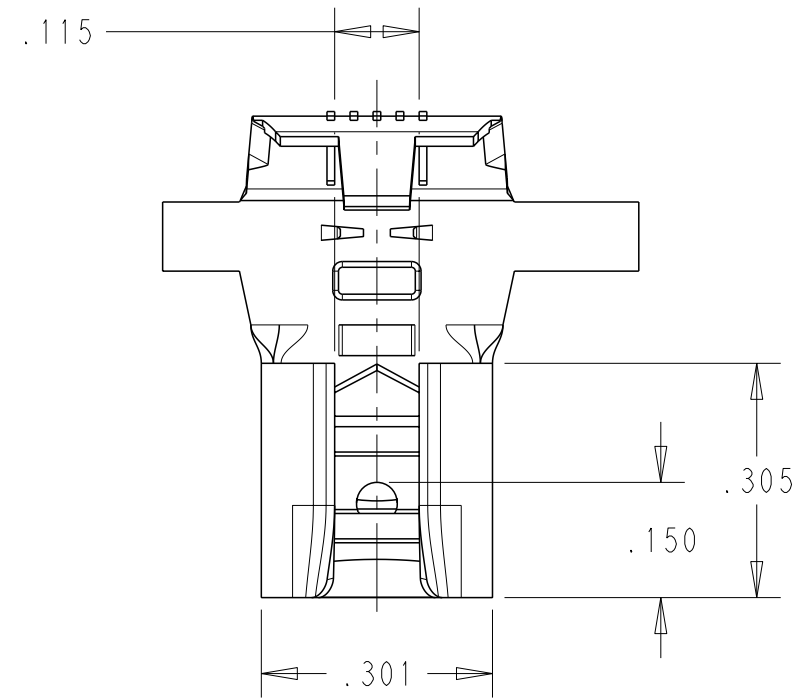



REVISIONS				
P	LTR	DESCRIPTION	DATE	APVD
	L	RELEASED PER ECN-24-256472	06MAR2024	TDB ES
	L1	RELEASED PER ECN-24-282174	29AUG2024	TB ES

1. CONTINUOUS STRIP ON REELS
2. 12-10AWG WIRE OR (2) 14AWG WIRE
3. MATES TO .032±.001 TAB



ON STRIP		BRASS	62011-3
ON STRIP	PRE-TIN	BRASS	62011-2
ON STRIP	-	BRASS	62011-1
FORM	FINISH	MATERIAL	PART NUMBER

THIS DRAWING IS A CONTROLLED DOCUMENT.		DWN T. BLAIR 06MAR2024	 TE Connectivity															
DIMENSIONS: IN		CHK B. WEAVER 06MAR2024																
TOLERANCES UNLESS OTHERWISE SPECIFIED:		APVD E. SHERBOCKER 06MAR2024	NAME .250 SERIES FLAG FASTON RECEPTACLE															
<table border="1"> <tbody> <tr><td>0 PLC</td><td>±-</td></tr> <tr><td>1 PLC</td><td>±.1</td></tr> <tr><td>2 PLC</td><td>±-</td></tr> <tr><td>3 PLC</td><td>±.015</td></tr> <tr><td>4 PLC</td><td>±.0001</td></tr> <tr><td>ANGLES</td><td>±-</td></tr> <tr><td>FINISH</td><td>-</td></tr> </tbody> </table>		0 PLC	±-	1 PLC	±.1	2 PLC	±-	3 PLC	±.015	4 PLC	±.0001	ANGLES	±-	FINISH	-	PRODUCT SPEC -	RESTRICTED TO -	
0 PLC	±-																	
1 PLC	±.1																	
2 PLC	±-																	
3 PLC	±.015																	
4 PLC	±.0001																	
ANGLES	±-																	
FINISH	-																	
MATERIAL -		APPLICATION SPEC -	SIZE A2	CAGE CODE 00779														
		WEIGHT 0.89	DRAWING NO C-62011-C															
		CUSTOMER DRAWING	SCALE 4:1	SHEET 1 OF 1														
			REV L1															

Printed on 29 Aug 2024 10:24 (Eastern Standard Time) from TES24095