

4

3

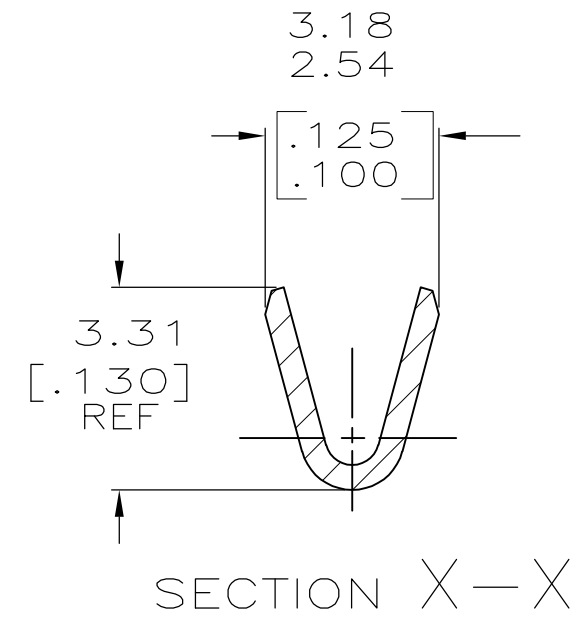
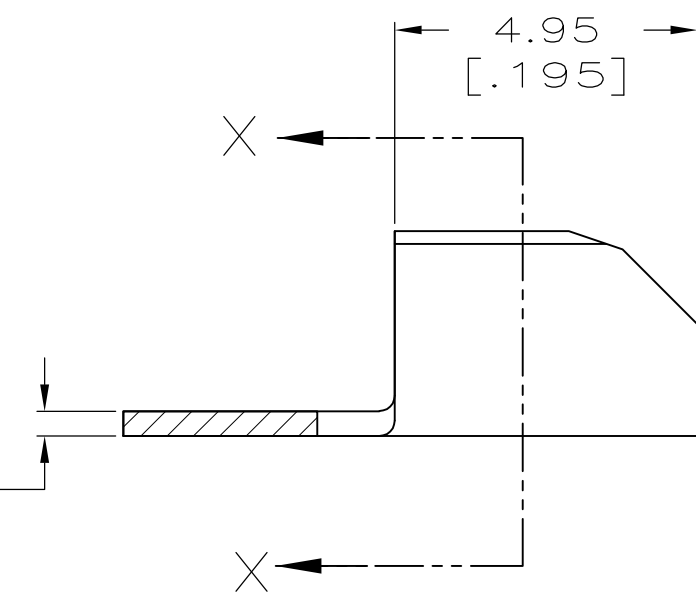
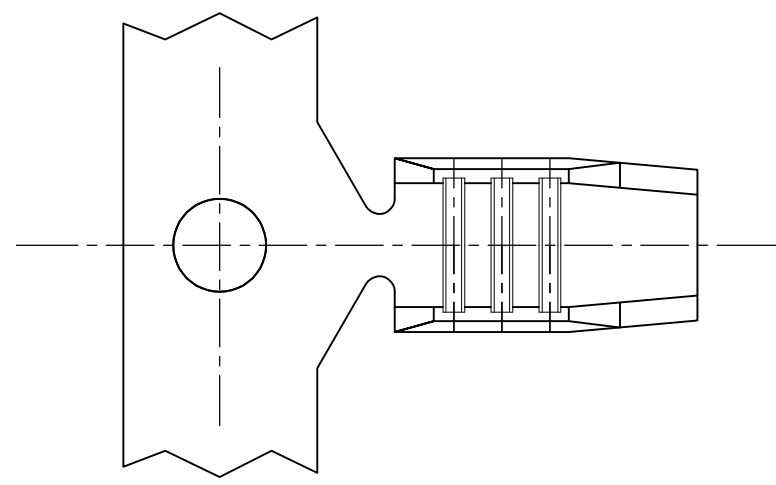
2

1

THIS DRAWING IS UNPUBLISHED. RELEASED FOR PUBLICATION ,19 .
 © COPYRIGHT 19 BY AMP INCORPORATED. ALL RIGHTS RESERVED.

| LOC | DIST | REVISIONS | | | | | |
|-----|------|-----------|-----|-------------------------------------|---------|-----|------|
| | | P | LTR | DESCRIPTION | DATE | DWN | APVD |
| AF | 50 | | B | REDRAWN & ADDED -2 PER OG3A-0493-00 | 27JUL00 | JR | GP |
| | | | C | ECR-13-004361 | 05AUG13 | XJ | DZ |

- 1 WIRE RANGE IS 480 TO 1700 CMA.
- 2 CONTINUOUS STRIP ON REELS.
- △3 PART REELED WITH WIRE BBL UP.
- △4 PRELIMINARY - NOT FOR PRODUCTION



| | | |
|----|----|----------|
| △3 | △4 | 62044-2 |
| | | 62044-1 |
| | | PART NO. |

| | | | | | | |
|--|--|---------------------------|---|-----------------|--------------------|-----------------|
| THIS DRAWING IS A CONTROLLED DOCUMENT. | | DWN JR RUTH 27JUL00 | AMP Incorporated Harrisburg, PA 17105-3608 | | | |
| DIMENSIONS: mm [INCHES] | | CHK MS FEHER 27JUL00 | | | | |
| TOLERANCES UNLESS OTHERWISE SPECIFIED: | | APVD G PORTA 27JUL00 | NAME SPLICE, AMPLIVAR, MINIATURE | | | |
| 0 PLC ±- | | PRODUCT SPEC - | SIZE A3 | CAGE CODE 00779 | DRAWING NO C-62044 | RESTRICTED TO - |
| 1 PLC ±- | | APPLICATION SPEC 114-2016 | SCALE 8:1 | | SHEET 1 OF 1 | REV C |
| 2 PLC ±0.38 [.015] | | MATERIAL BRASS | CUSTOMER DRAWING | | | |
| 3 PLC ±- | | FINISH - | | | | |
| 4 PLC ±- | | | | | | |
| ANGLES ±- | | | | | | |