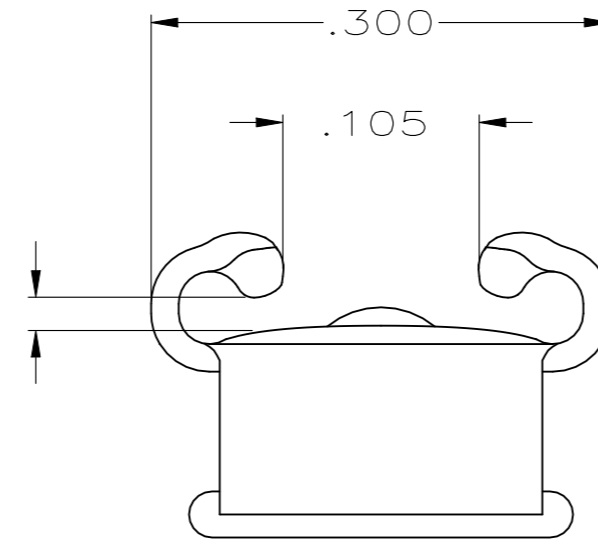
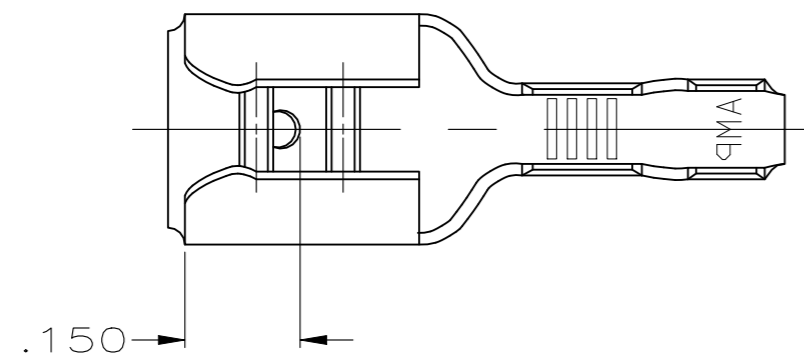
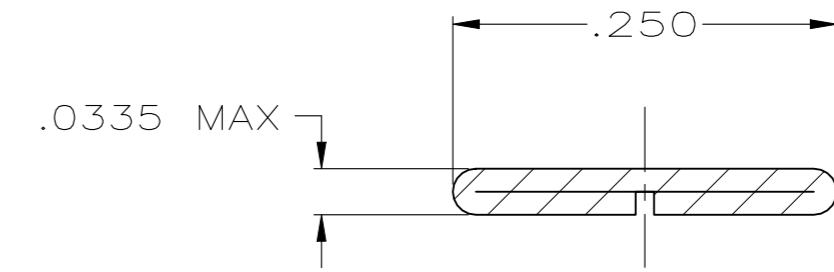


REVISIONS					
P	LTR	DESCRIPTION	DATE	DWN	APVD
A1		REVISED PER ECR-21-113405	31MAY2022	SS	DH

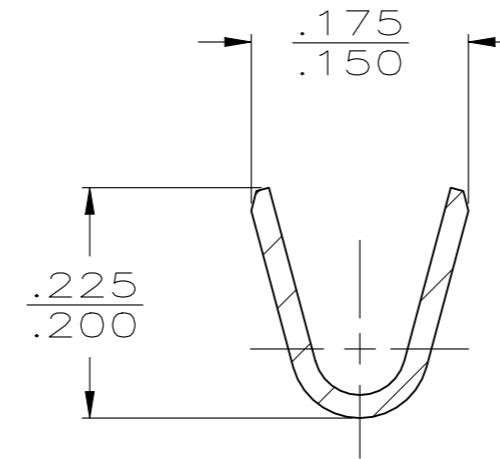
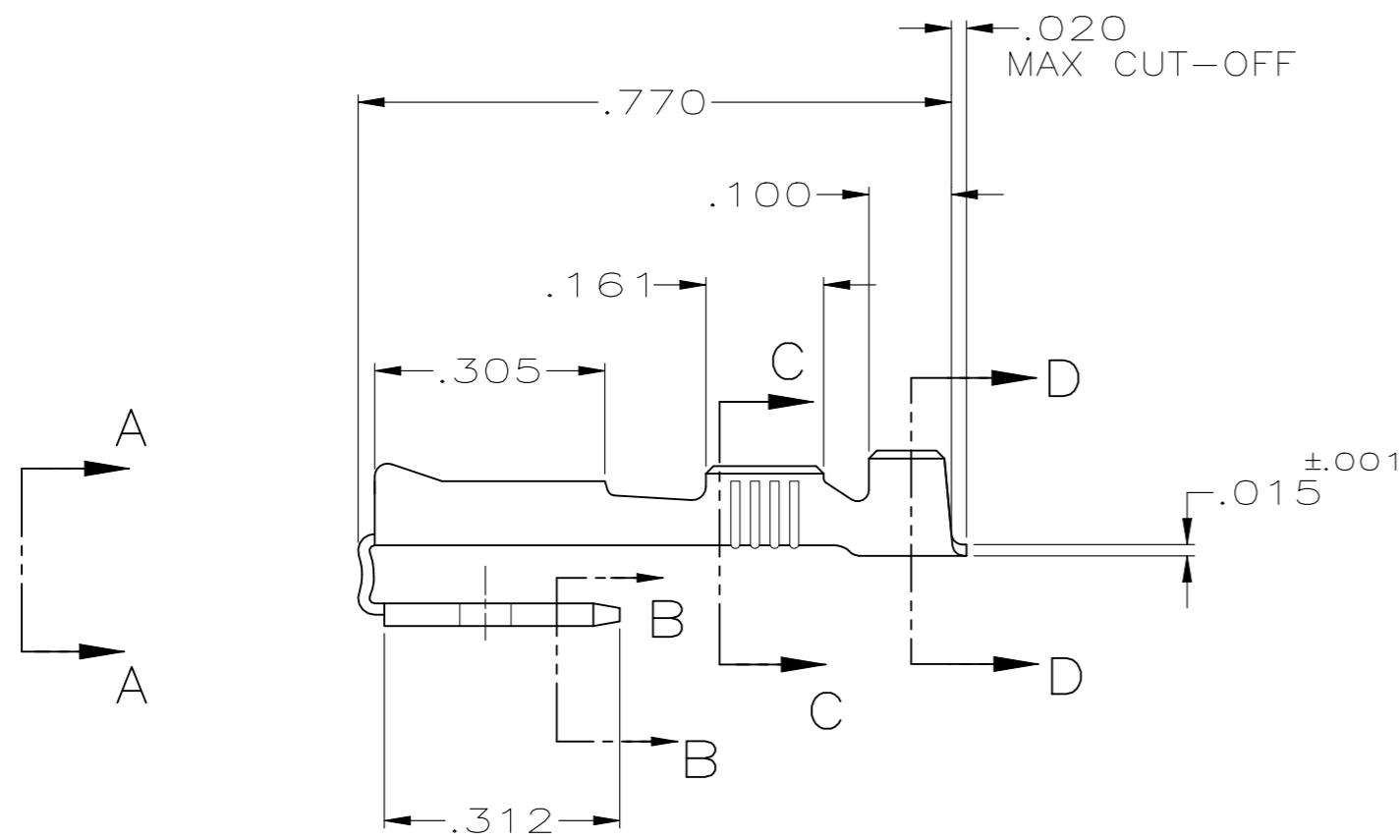
- SUPPLIED IN LOOSE PIECE
- THE GAP ON THE ROLLS TO BE IN CONTACT WITH THE TAB FOR THE LENGTH OF THE ROLL BEHIND THE LEAD-IN.



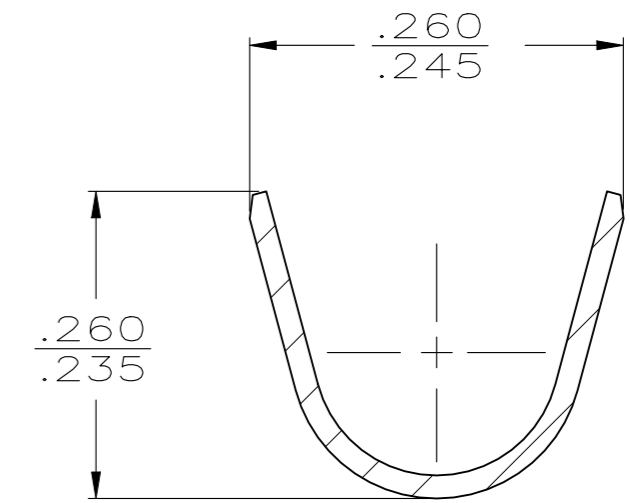
— FITS .250 SERIES FASTON TAB  
VIEW A-A  
SCALE 8:1



SECTION B-B  
SCALE 8:1



SECTION C-C  
SCALE 8:1



SECTION D-D  
SCALE 8:1

62049-2	BRASS	.150-.200	14-10	.032	62090-1
STRIP	MATERIAL	INSULATION RANGE	WIRE SIZE	MATING TAB THK ±.001	PART NO

THIS DRAWING IS A CONTROLLED DOCUMENT.		DWN JR RUTH 12/8/94																		
DIMENSIONS: INCHES		CHK MS FEHER 12/8/94																		
TOLERANCES UNLESS OTHERWISE SPECIFIED:		APVD P DESANTIS 12/8/94																		
<table border="1"> <tr><td>0 PLC</td><td>±</td><td>-</td></tr> <tr><td>1 PLC</td><td>±</td><td>-</td></tr> <tr><td>2 PLC</td><td>±</td><td>-</td></tr> <tr><td>3 PLC</td><td>±</td><td>.015</td></tr> <tr><td>4 PLC</td><td>±</td><td>-</td></tr> <tr><td>ANGLES</td><td>±</td><td>-</td></tr> </table>		0 PLC				±	-	1 PLC	±	-	2 PLC	±	-	3 PLC	±	.015	4 PLC	±	-	ANGLES
0 PLC	±	-																		
1 PLC	±	-																		
2 PLC	±	-																		
3 PLC	±	.015																		
4 PLC	±	-																		
ANGLES	±	-																		
MATERIAL SEE TABLE		FINISH TIN	PRODUCT SPEC APPLICATION SPEC	RECEPTACLE, FASTON, PIGGYBACK, .250 SERIES																
		WEIGHT 0.000000	SIZE A2	CAGE CODE 00779	DRAWING NO C=62090															
		CUSTOMER DRAWING	SCALE 4:1	SHEET 1 OF 1	REV A1															