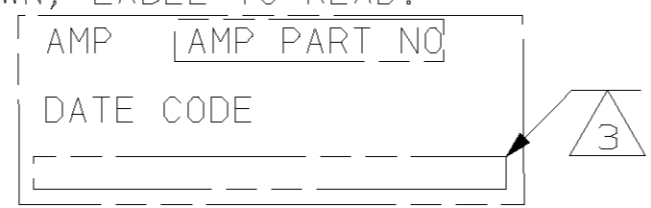


THIS DRAWING IS UNPUBLISHED. RELEASED FOR PUBLICATION .19
 © COPYRIGHT 19 BY AMP INCORPORATED. ALL RIGHTS RESERVED.

LOC		DIST		REVISIONS			
P	LTR	DESCRIPTION	DATE	DWN	APVD		
	F	REV PER 0520-0099-99	10/14/99	MM	DK		
	G	ADD -6 PER 0520-0151-00	08/14/00	JCB	FM		

① CABLE, 30 AWG, 25 TWISTED PAIR, 90±6Ω (SEM) FOR ALL CORE PAIRS, 90Ω^{+6Ω}_{-10Ω} (SEM) REMAINING PAIRS.

② ASSY IDENTIFICATION LABEL TO BE LOCATED AS SHOWN, LABEL TO READ:



DATE CODE TO BE FOUR DIGITS & APPEAR AS YEAR/WEEK (EXAMPLE 9442).

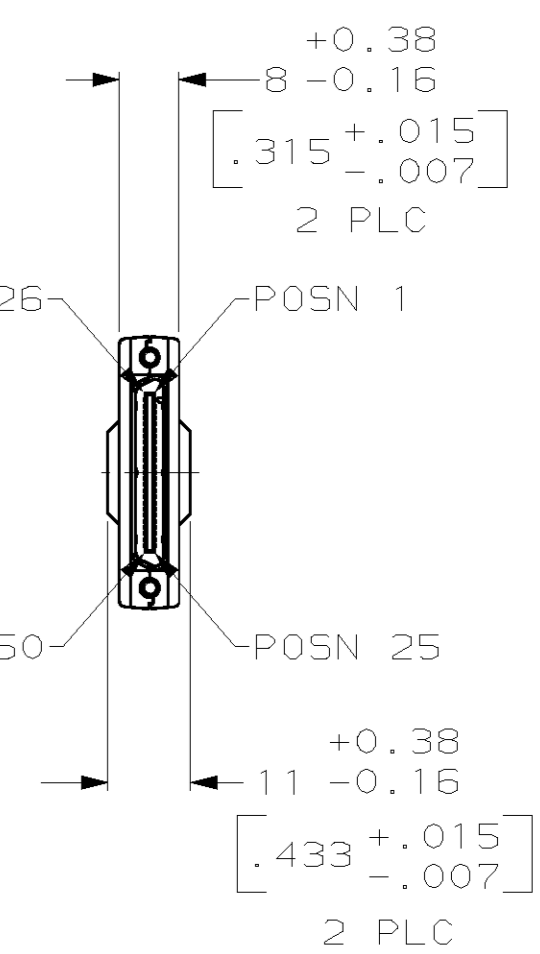
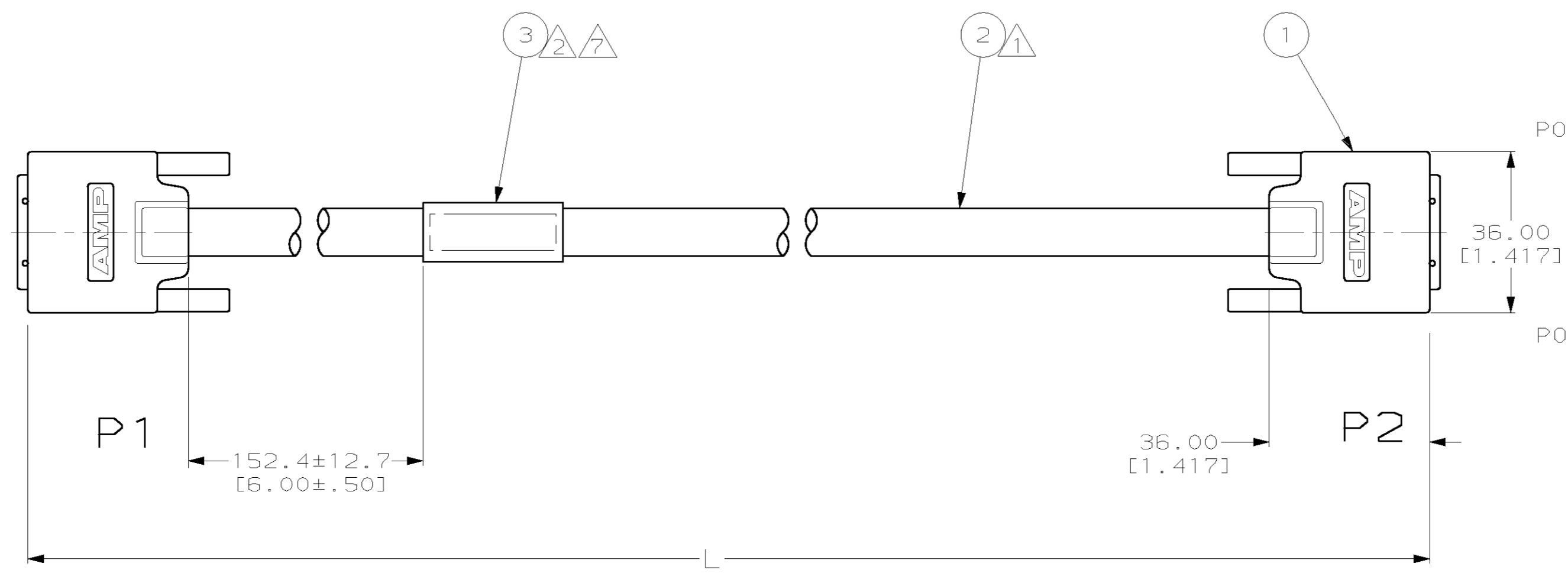
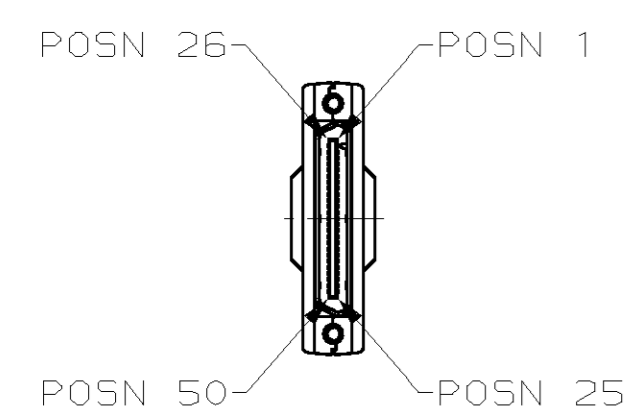
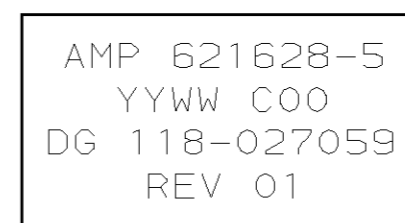
③ IF MANUFACTURED OUTSIDE USA LABEL PRINTED WITH COUNTRY OF ORIGIN.

4. SEE SHEET 2 FOR WIRING SCHEMATIC

5. HI POT AT 300 VDC FOR 10 MILLISECONDS, 100 MEGOHM MIN. INSULATION RESISTANCE.

⑥ SPECIAL PACKAGING: EACH CABLE IS INDIVIDUALLY PACKED IN A LABELED AND HEAT SEALED POLY BAG, THEN PACKED IN THE APPROPRIATE QUANTITIES PER BOX IN ACCORDANCE WITH PALI INSTRUCTIONS

⑦ LABEL FOR 621628-5 ONLY.



⑥	1000±25.4 [39.37±1.00]	-	-	-	6-621628-1
	300±12.7 [11.81±.50]	-	-	-	621628-6
⑦	3000±50.8 [118.11±2.00]	-	-	-	621628-5
	5000±50.8 [196.85±2.00]	-	-	-	621628-4
	3000±50.8 [118.11±2.00]	-	-	-	621628-3
	2000±25.4 [78.74±1.00]	-	-	-	621628-2
	1000±25.4 [39.37±1.00]	-	-	-	621628-1
L	③ LABEL QTY=1	② CABLE, 34 TP QTY=AR	① CONNECTOR KIT CHAMP QTY=2	PART NUMBER	

THIS DRAWING IS A CONTROLLED DOCUMENT FOR AMP INCORPORATED. IT IS SUBJECT TO CHANGE AND THE CONTROLLING ENGINEERING ORGANIZATION SHOULD BE CONTACTED FOR THE LATEST REVISION.

DIMENSIONS: mm [INCHES]

TOLERANCES UNLESS OTHERWISE SPECIFIED:

0 PLC	±
1 PLC	±
2 PLC	±
3 PLC	±
4 PLC	±
ANGLES	±
FINISH	±

MATERIAL: - FINISH: -

AMP Incorporated Harrisburg, PA 17105-3608

CHAMP™ 0.8mm, 50 POSN TO 50 POSN, EXTERNAL ASSEMBLY

SIZE: A2 CAGE CODE: 00779 DRAWING NO: C-621628

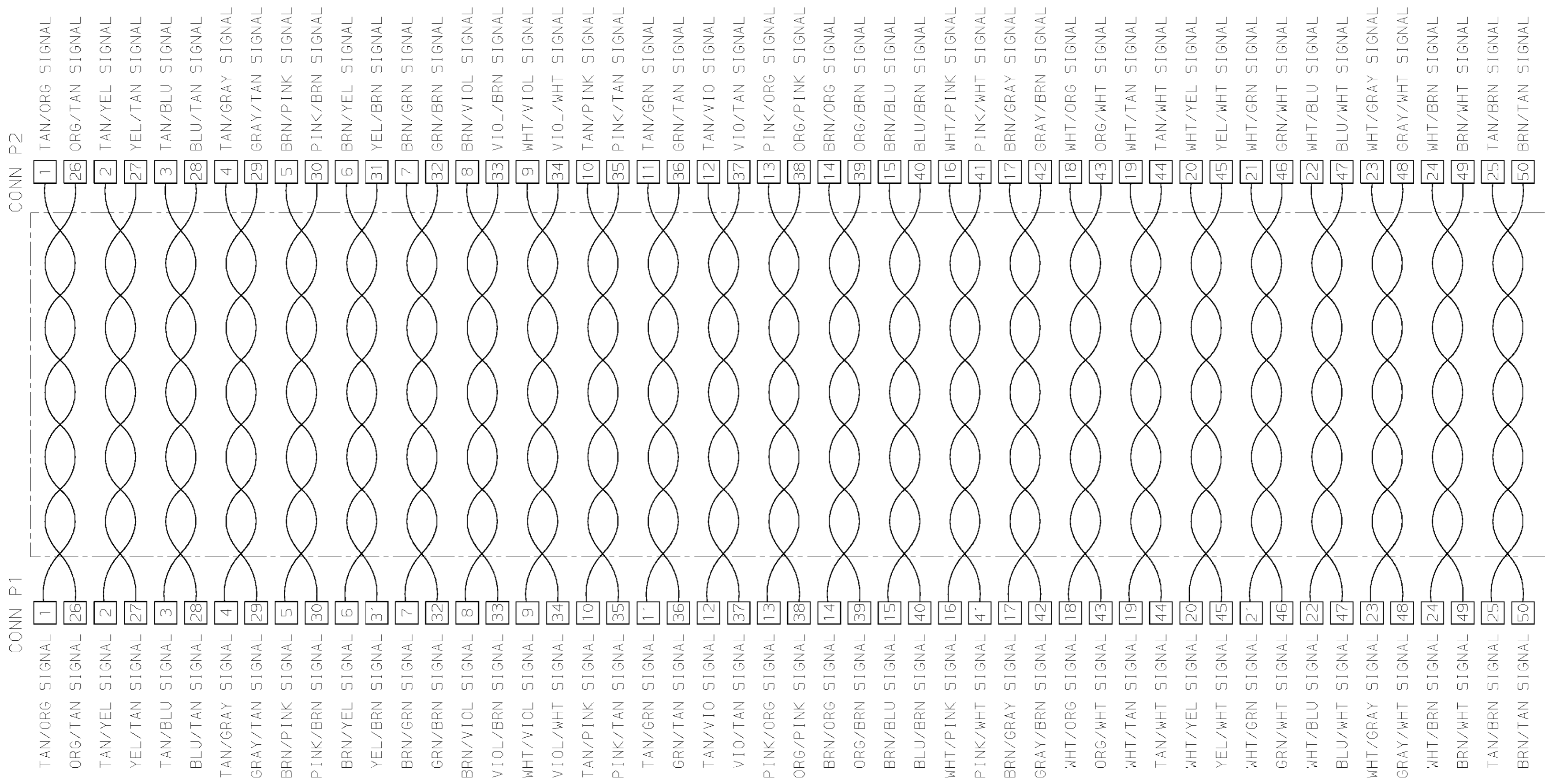
WEIGHT: -

CUSTOMER DRAWING

SCALE: 1:1 SHEET 1 OF 2 REV G

OWN: S. J. MAGARO 11/6/95
 CHK: J. HACKMAN 11/6/95
 APVD: J. HACKMAN 11/6/95

WIRING SCHEMATIC & COLOR CODE



SHIELD

THIS DRAWING IS A CONTROLLED DOCUMENT FROM THE DISCOVERED IT IS SUBJECT TO CHANGE AND THE CONTROLLING ENGINEERING ORGANIZATION SHALL BE CONTACTED FOR THE LATEST REVISION.		DWN S. J. MAGARO 11/6/95 CHK J. HACKMAN 11/6/95 APVD J. HACKMAN 11/6/95 PRODUCT SPEC - APPLICATION SPEC - WEIGHT - CUSTOMER DRAWING	DATE 11/6/95 NAME CHAMP™ 0.8mm, 50 POSN TO 50 POSN, EXTERNAL ASSEMBLY SIZE A1 CAGE CODE 00779 DRAWING NO 621628 SCALE 2:1 SHEET 2 OF 2 REV G
DIMENSIONS: mm (INCHES) 	TOLERANCES UNLESS OTHERWISE SPECIFIED: Ø PLC ±.1 PLC ±.1 Ø PLC ±.1 PLC ±.1 Holes FINISH -	AMP Incorporated Harrisburg, PA 17105-3608	