

4

3

2

1

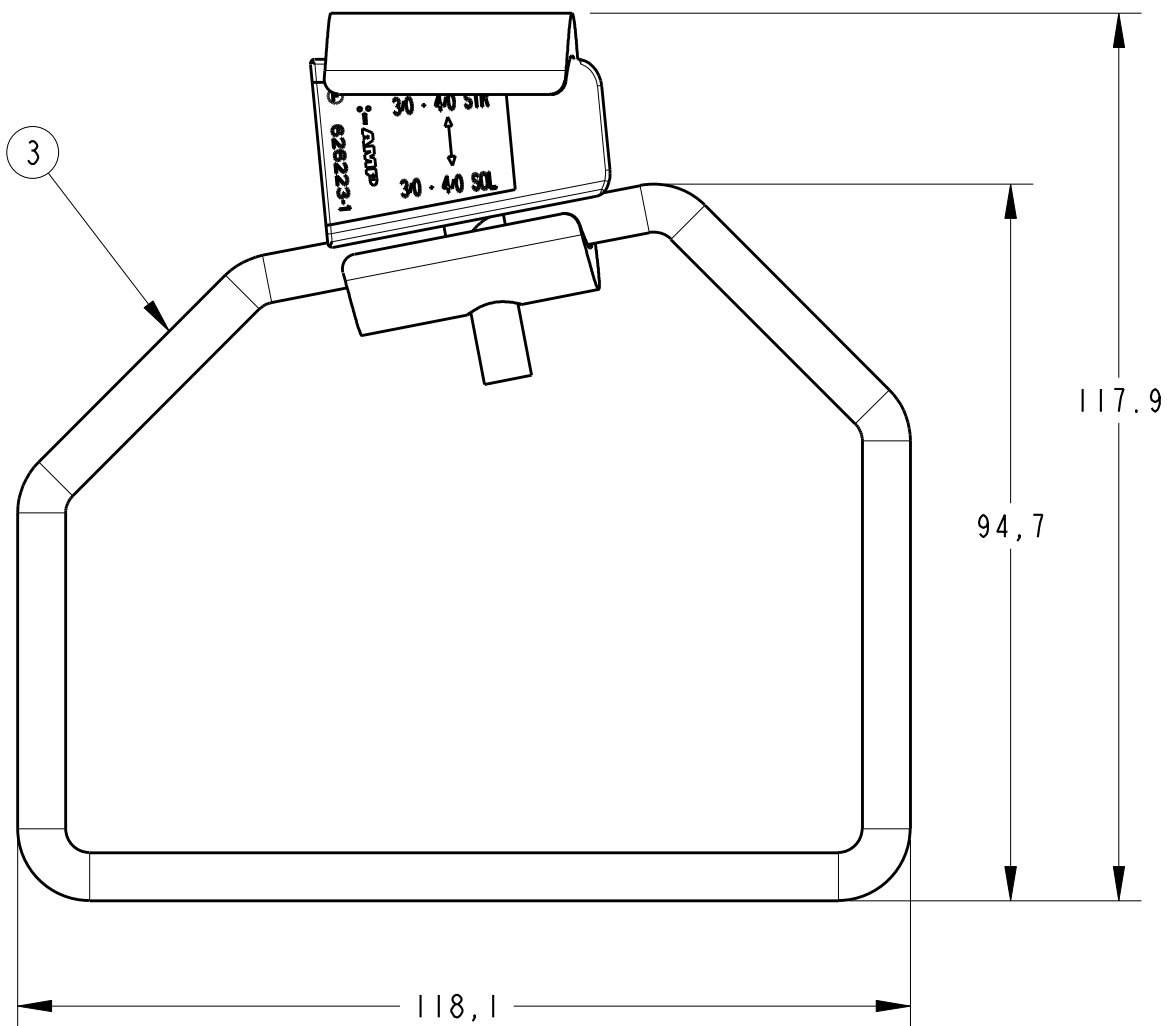
THIS DRAWING IS UNPUBLISHED.

RELEASED FOR PUBLICATION

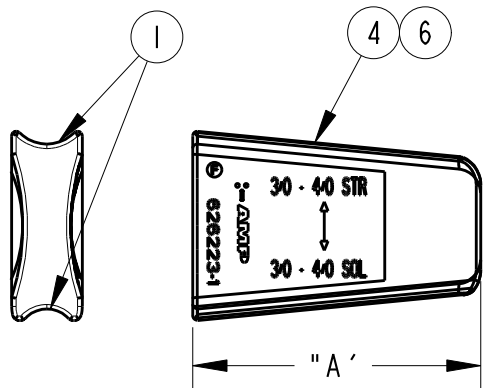
20

© COPYRIGHT 20 BY TYCO ELECTRONICS CORPORATION. ALL INTERNATIONAL RIGHTS RESERVED.

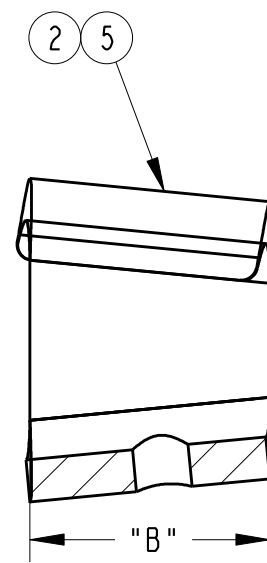
LOC	DIST	REVISIONS			
P	LTR	DESCRIPTION	DATE	DWN	APVD
-	-	J1	ECO-09-023497	10DEC2009	GO WB



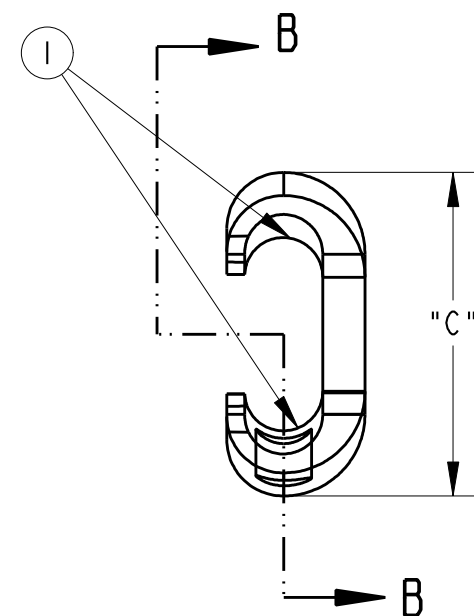
Tyco Electronics  
 Bid number;  
 Product Description;  
 Main Conductor in mm<sup>2</sup>;  
 Tap Conductor in mm<sup>2</sup>;  
 Customer Part Number;  
 Tyco Part Number;  
 Quantity.



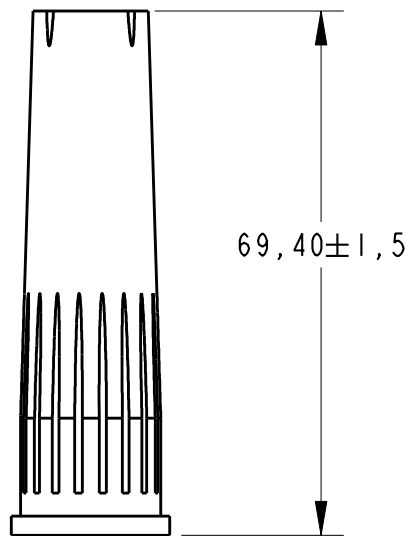
IDENTIFICATION DETAIL FOR PN 626223-1 ONLY



SECTION B-B



1	1	1	-	-	8	---	---	---	ADHESIVE LABEL	PAPER WITH GLUE	--
1	1	1	-	-	7	---	---	---	CARTRIDGE/CARTUCHO	--	--
-	1	-	1	-	6	---	---	54,0	WEDGE/CUNHA	ALUMINUM ALLOY/LIGA DE ALUMÍNIO	--
-	1	-	1	-	5	69,4	50,8	---	"C"	ALUMINUM ALLOY/LIGA DE ALUMÍNIO	--
1	-	1	-	1	4	---	---	50,8	WEDGE/CUNHA	ALUMINUM ALLOY/LIGA DE ALUMÍNIO	--
1	1	1	1	1	3	---	---	---	BAIL/ESTRIBO	COPPER/COBRE	TIN PLATED/ESTANHADO
1	-	1	-	1	2	65,0	41,1	---	"C"	ALUMINUM ALLOY/LIGA DE ALUMÍNIO	--
1	1	1	1	1	1	---	---	---	INHIBITOR/GRAXA	--	--
-5	-4	-3	-2	-1							
REQ. PER ASS'Y					ITEM	"C"	"B"	"A"	DESCRIPTION	MATERIAL	FINISH
626223											



THIS DRAWING IS A CONTROLLED DOCUMENT FOR TYCO ELECTRONICS CORPORATION. IT IS SUBJECT TO CHANGE AND THE CONTROLLING ENGINEERING ORGANIZATION SHOULD BE CONTACTED FOR THE LATEST REVISION.

DWN	V. FUZETTI	03JUN1998	TYCO ELECTRONICS Brasil LTDA. Sao Paulo, Brasil
CHK	W. BELLINI Jr.	03JUN1998	
APVD	J. A. LA SALVIA	03JUN1998	
NAME	AMPACT STIRRUP ASS'Y		
PRODUCT SPEC	-		RESTRICTED TO
APPLICATION SPEC	-		
WEIGHT	-		
CUSTOMER DRAWING			SCALE - SHEET 1 OF 1 REV J1

DIMENSIONS:	TOLERANCES UNLESS OTHERWISE SPECIFIED:
mm	
0 PLC	±
1 PLC	±2,0
2 PLC	±
3 PLC	±
4 PLC	±
ANGLES	±1
MATERIAL	SEE TABLE
FINISH	SEE TABLE

SIZE	CAGE CODE	DRAWING NO
A3	00779	C-626223