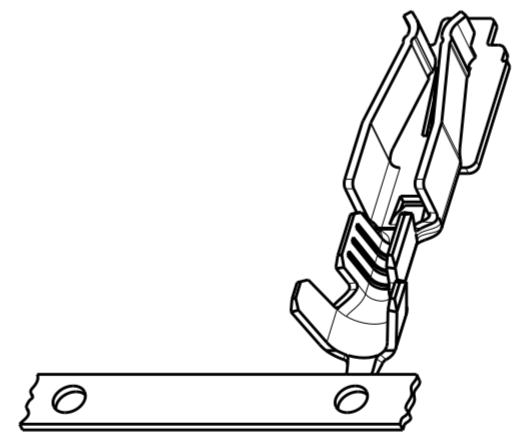
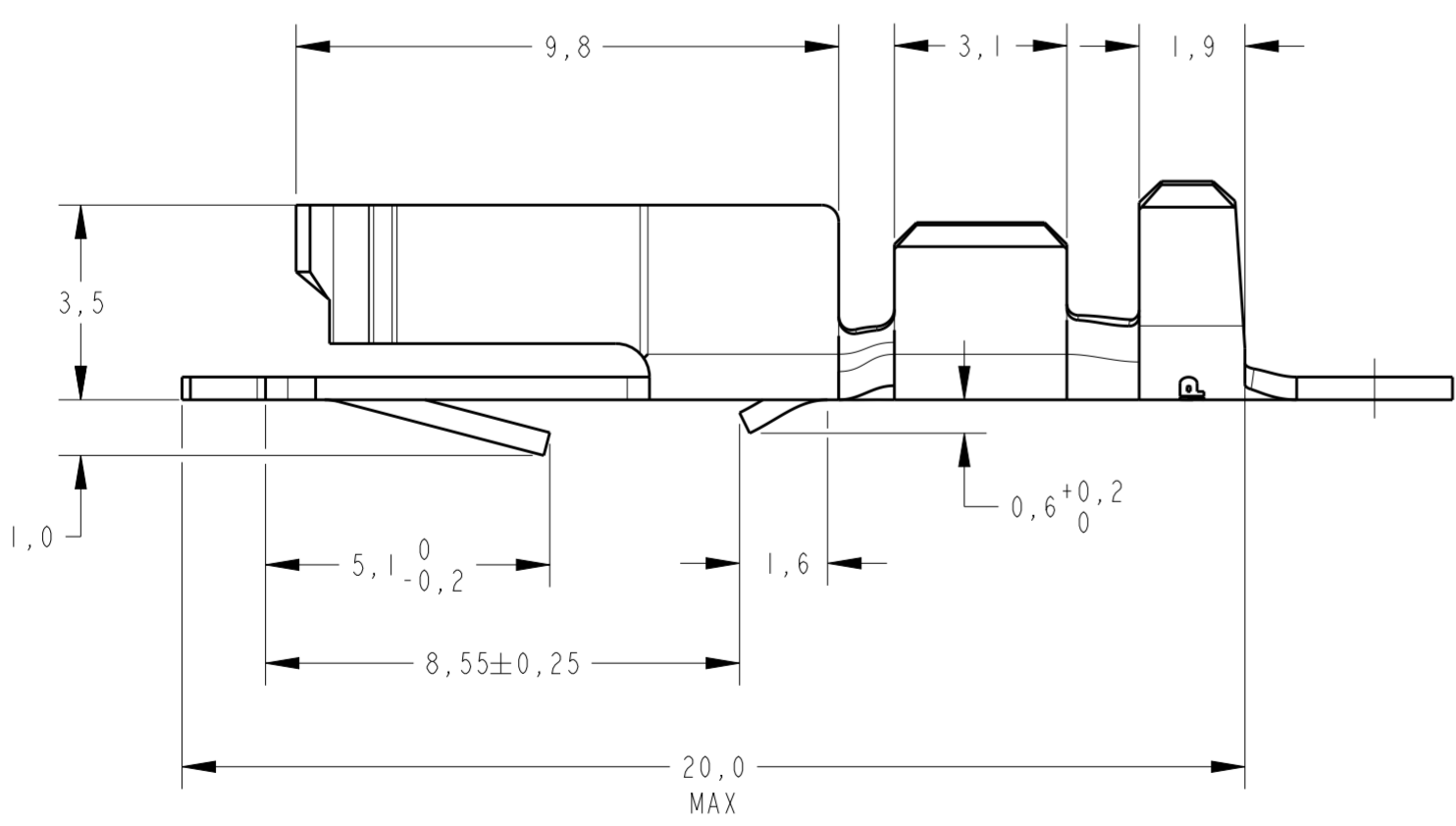
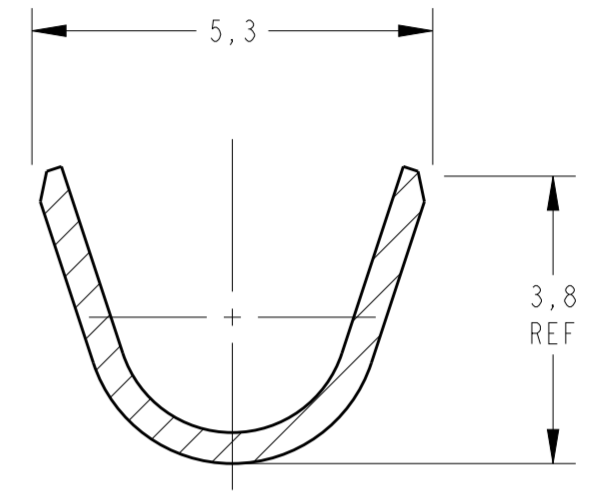
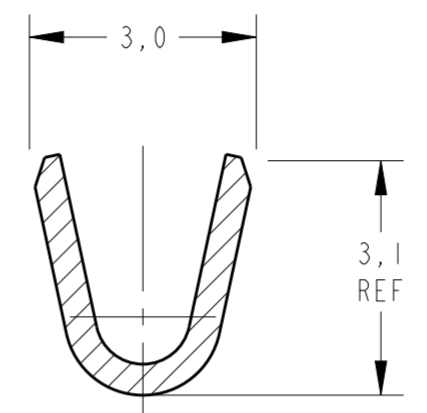
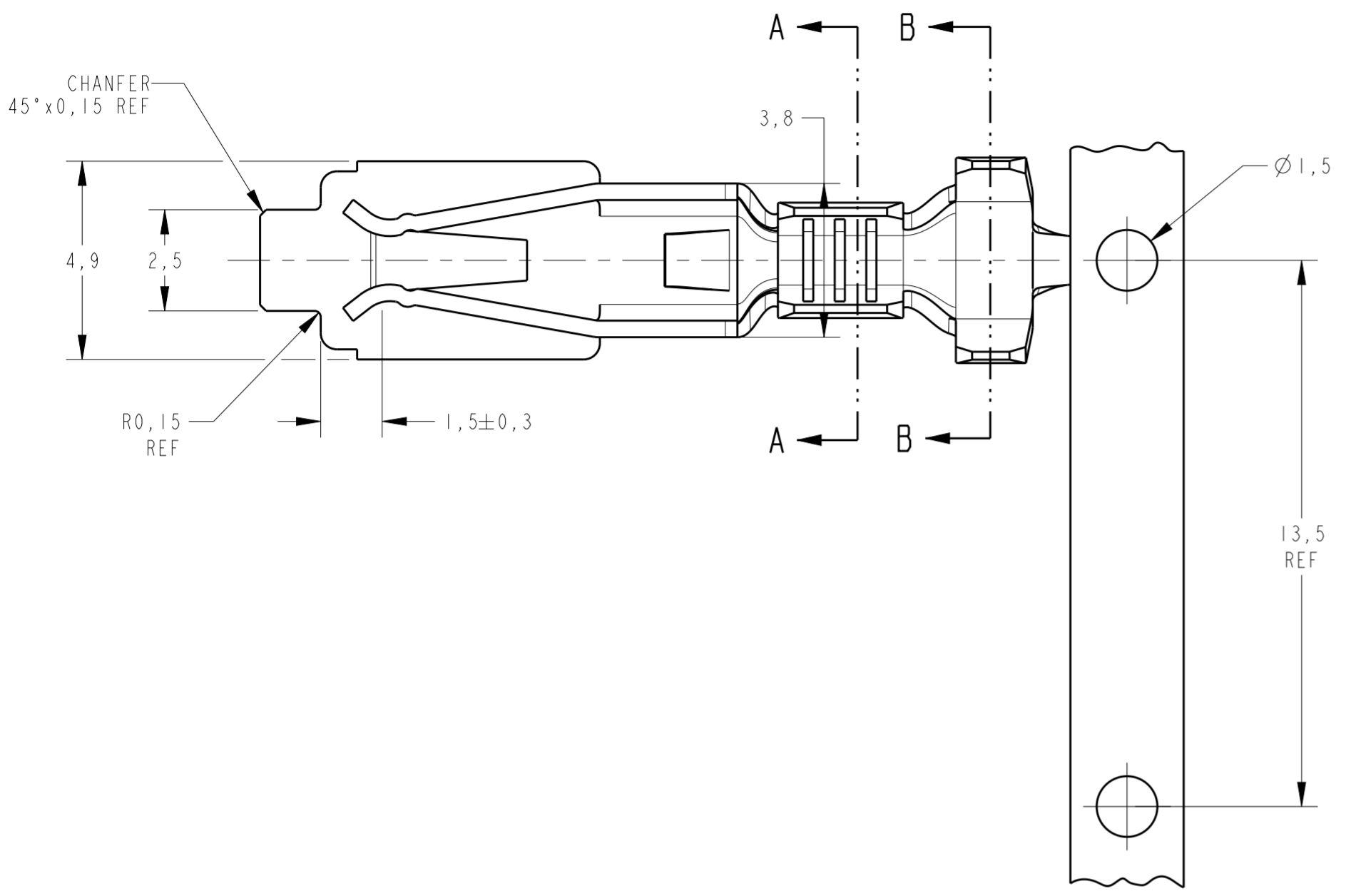


THIS DRAWING IS UNPUBLISHED. RELEASED FOR PUBLICATION 20
 © COPYRIGHT 20 BY - ALL RIGHTS RESERVED.

creo
 Creo Parametric 3.0
 DO NOT REVISE
 EXCEPT BY CAD

REVISIONS					
P	LTR	DESCRIPTION	DATE	DWN	APVD
H1		REDRAW BY CAD ECO-16-017493	16DEC2016	NCL	GOJ
H2		REVISED PER ECO-20-013020	28OCT2020	AP	DO



INSUL RANGE: Ø1,9-2,7mm
 WIRE RANGE: 0,5-1,5mm²

OBSOLETE

FINISH	MATERIAL	PART NUMBER
ESTANHADO/TIN PLATED	PHOSP. BRONZE	626277-4
-	PHOSP. BRONZE	626277-3
ESTANHADO/TIN PLATED	LATÃO/BRASS	626277-2
-	LATÃO/BRASS	626277-1

THIS DRAWING IS A CONTROLLED DOCUMENT.		DWN NCLAPRESA 18NOV2016	TE Connectivity	
DIMENSIONS: mm		CHK FFORTUNATO 18NOV2016		
		APVD GO JUNIOR 18NOV2016		
TOLERANCES UNLESS OTHERWISE SPECIFIED:		NAME LAMP SOCKET CONTACT		
0 PLC ±		PRODUCT SPEC -		
1 PLC ±0,2		APPLICATION SPEC -		
2 PLC ±0,1		WEIGHT -		
3 PLC ±		SIZE A2		
4 PLC ±		CAGE CODE -		
ANGLES ±°		DRAWING NO C-626277		
FINISH		RESTRICTED TO -		
MATERIAL SEE TABLE		CUSTOMER DRAWING		
SEE TABLE		SCALE 4:1 SHEET 1 OF 1 REV H2		