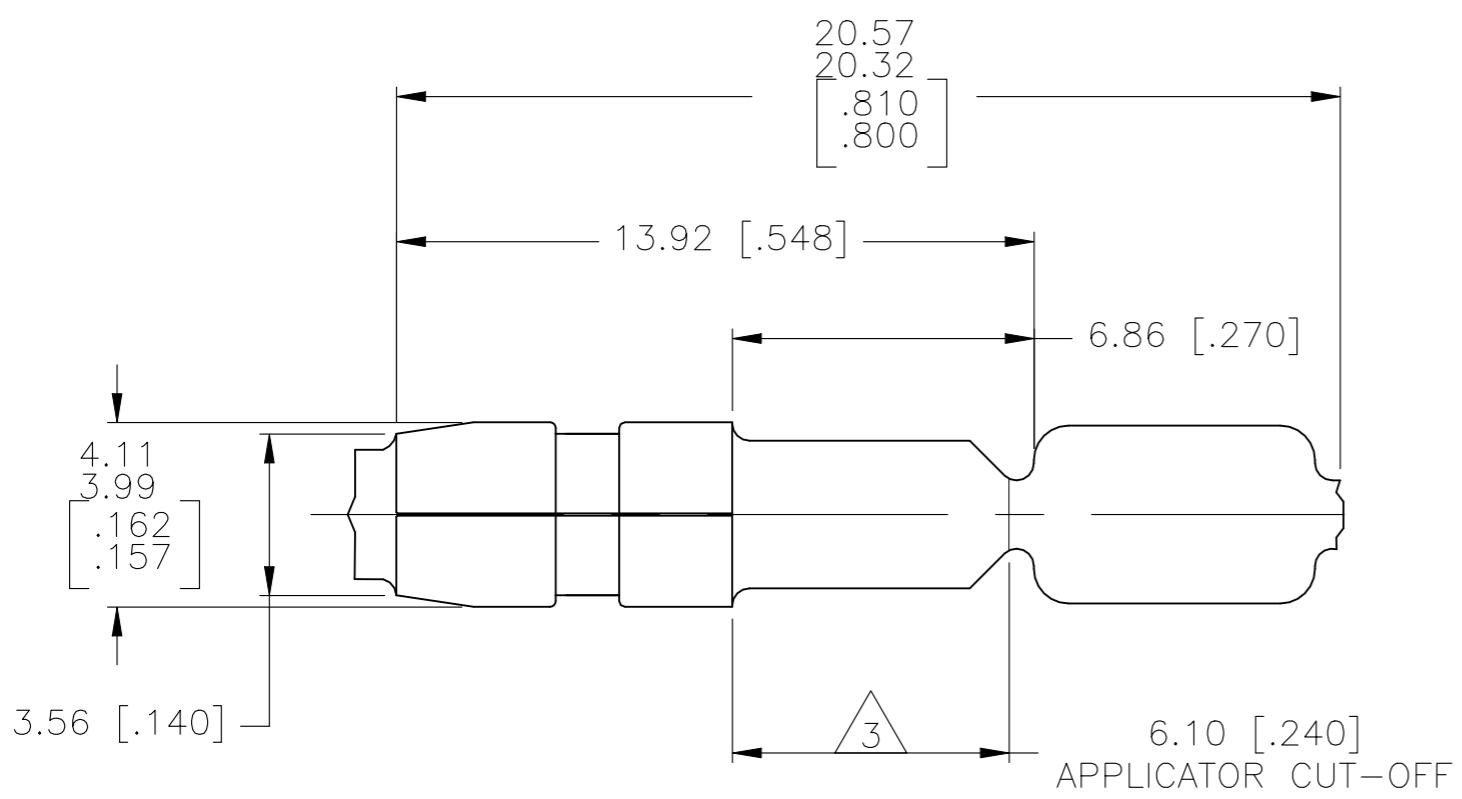
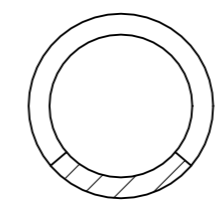
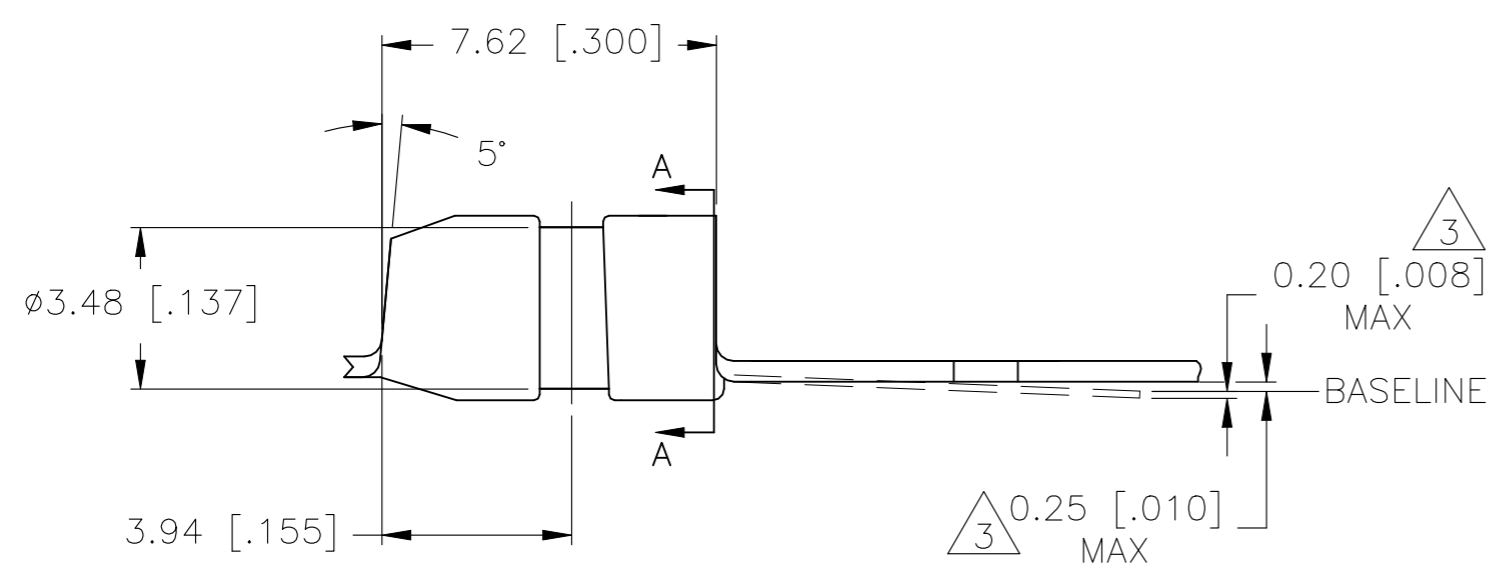


THIS DRAWING IS UNPUBLISHED. RELEASED FOR PUBLICATION  
 © COPYRIGHT BY TYCO ELECTRONICS CORPORATION. ALL RIGHTS RESERVED.

LOC	DIST	REVISIONS			
P	LTR	DESCRIPTION	DATE	DWN	APVD
AF	50	H2	REVISED PER ECR-24-210890	15JUL2024	DB BW



- 1 DIMENSIONS IN BRACKETS ARE IN INCHES
- 2 CONTINUOUS STRIP ON REELS
- 3 0.25 [.010] MAX DIM ABOVE BASELINE, 0.20 [.008] MAX DIM BELOW BASELINE, TO BE HELD OVER 6.10 [.240] APPLICATOR CUT-OFF.
- 4 REELED WITH PAPER
- 5 PRELIMINARY NOT FOR PRODUCTION.



FINISH	MATERIAL	PART NO
PRE-TIN	0.46 [.018] BRASS	62829-3
OBSOLETE	0.46 [.018] NI-SILVER(65-18)	62829-2
OBSOLETE	PRE-TIN 0.46 [.018] BRASS	62829-1

THIS DRAWING IS A CONTROLLED DOCUMENT.		DWN RAGHAVENDRA 05JUN07	Tyco Electronics Corporation Harrisburg, Pa 17105-3608	
DIMENSIONS: mm [INCHES]	TOLERANCES UNLESS OTHERWISE SPECIFIED:	CHK D DECKER 05JUN07	NAME	
	0 PLC ± -	APVD D DECKER 05JUN07	PRODUCT SPEC	
	1 PLC ± -		APPLICATION SPEC	
	2 PLC ± -		SIZE	CAGE CODE
	3 PLC ± 0.38 [.015]		A3	00779
	4 PLC ± -		DRAWING NO	C-62829
	ANGLES ± -		RESTRICTED TO	
MATERIAL SEE TABLE	FINISH SEE TABLE	WEIGHT -	SCALE 6:1	SHEET 1 OF 1
		CUSTOMER DRAWING	REV H2	