

THIS DRAWING IS UNPUBLISHED.

RELEASED FOR PUBLICATION

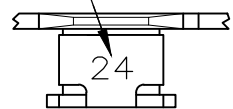
ALL RIGHTS RESERVED.

© COPYRIGHT - By -

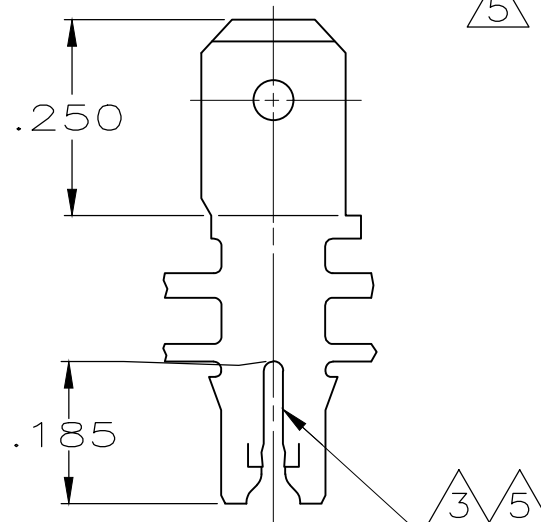
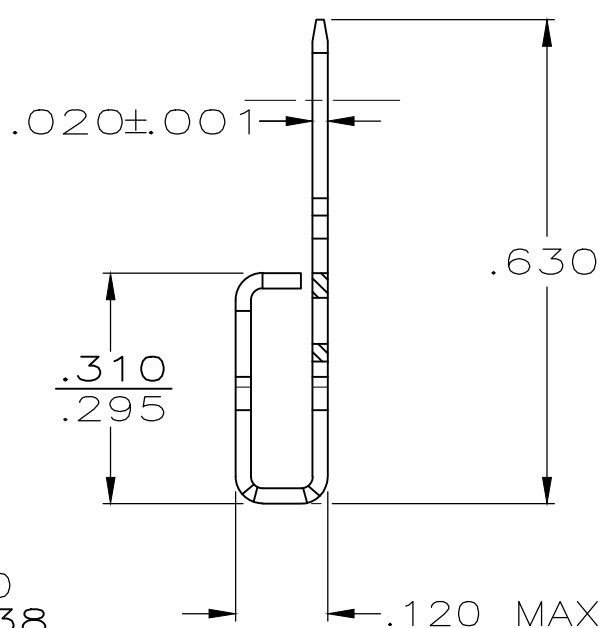
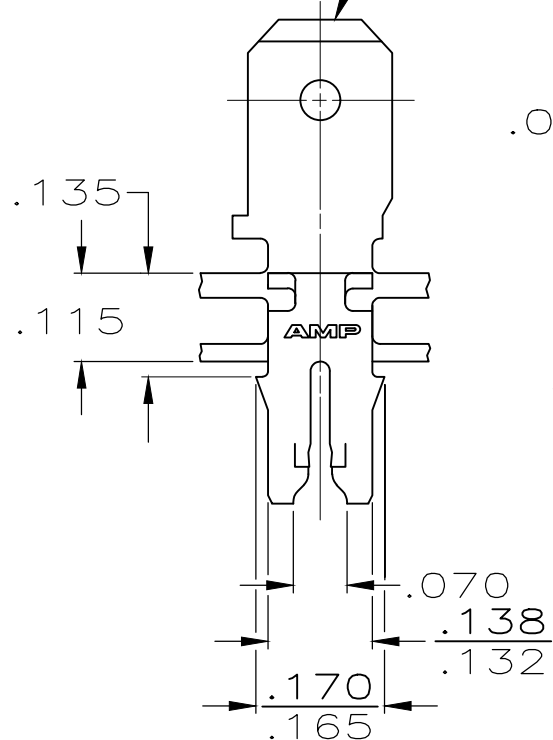
REVISIONS

P	LTR	DESCRIPTION	DATE	DWN	APVD
	J1	REVISED PER ECR-19-018359	27NOV2019	JA	PKS

IDENTIFICATION NUMBER 24 FOR MAGNET WIRE RANGE.



FITS .187 SERIES FASTON RECEPTACLE



- ① MAG-MATE CAVITY SPECIFICATION.
- ② CONTINUOUS STRIP ON REELS WITH TERMINALS LOCATED ON .220 CENTERS.
- ③ SLOT ACCEPTS A SINGLE WIRE ONLY.
COPPER MAGNET WIRE RANGE: 0.91-1.20mm [#19-#16.5 AWG] OR
ALUMINUM MAGNET WIRE RANGE: 0.95-1.20mm [#18.5-#16.5 AWG] ALUMINUM WIRE RANGE APPLIES FOR POST-TIN PLATED VERSIONS ONLY.
- ④ AFTER INSERTION INTO PLASTIC HOLDER TAB PORTION MUST BE BENT OVER 45 TO 90° OR POTTED TO PREVENT PULL-OUT WHEN MATING RECEPTACLE IS DISCONNECTED.
- ⑤ #18.5-#16.5 AWG ALUMINUM MAGNET WIRE WITH CAVITY ANVIL HEIGHT OF .090±.005.

63273-1

THIS DRAWING IS A CONTROLLED DOCUMENT.		DWN MICHAEL S. FEHER 11/7/88	TE Connectivity														
DIMENSIONS: INCHES		CHK JEFF R. RUTH 11/9/88															
TOLERANCES UNLESS OTHERWISE SPECIFIED:		APVD NELSON E NEFF 11/9/98	NAME TAB, 187 FASTON, - MAG-MATE														
<table border="0"> <tr><td>0 PLC</td><td>± -</td></tr> <tr><td>1 PLC</td><td>± -</td></tr> <tr><td>2 PLC</td><td>± -</td></tr> <tr><td>3 PLC</td><td>± .010</td></tr> <tr><td>4 PLC</td><td>± -</td></tr> <tr><td>ANGLES</td><td>± -</td></tr> </table>		0 PLC	± -	1 PLC	± -	2 PLC	± -	3 PLC	± .010	4 PLC	± -	ANGLES	± -	PRODUCT SPEC -	APPLICATION SPEC ⑤ 14-2046 ①		
0 PLC	± -																
1 PLC	± -																
2 PLC	± -																
3 PLC	± .010																
4 PLC	± -																
ANGLES	± -																
MATERIAL BRASS	FINISH TIN PLATED	WEIGHT 0.000000	SIZE A3	CAGE CODE 00779	DRAWING NO G-63273												
CUSTOMER DRAWING			RESTRICTED TO -	SCALE 4:1	SHEET 1 OF 1												
			REV J1														