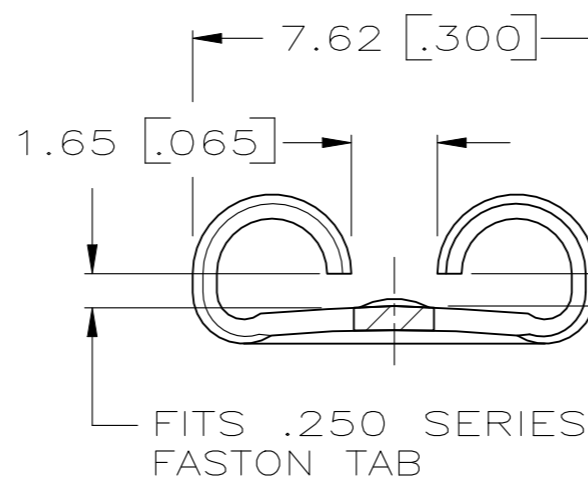
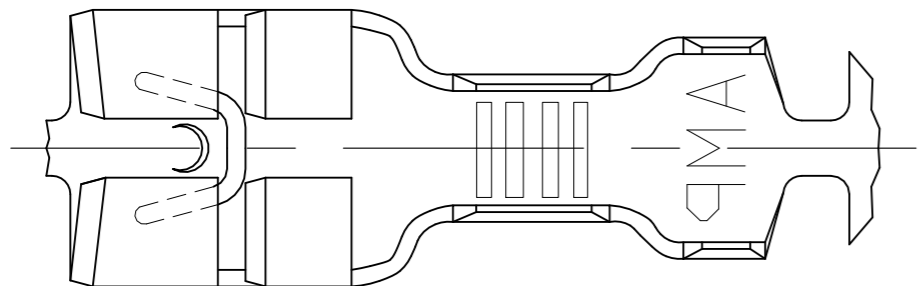


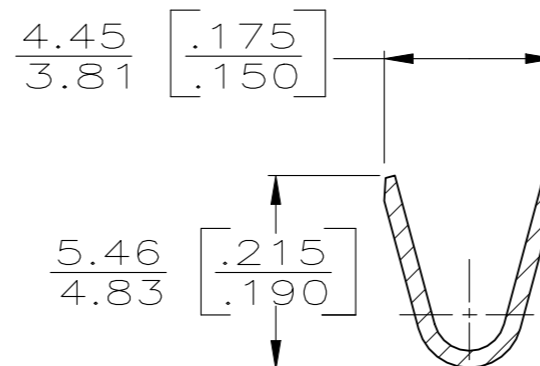
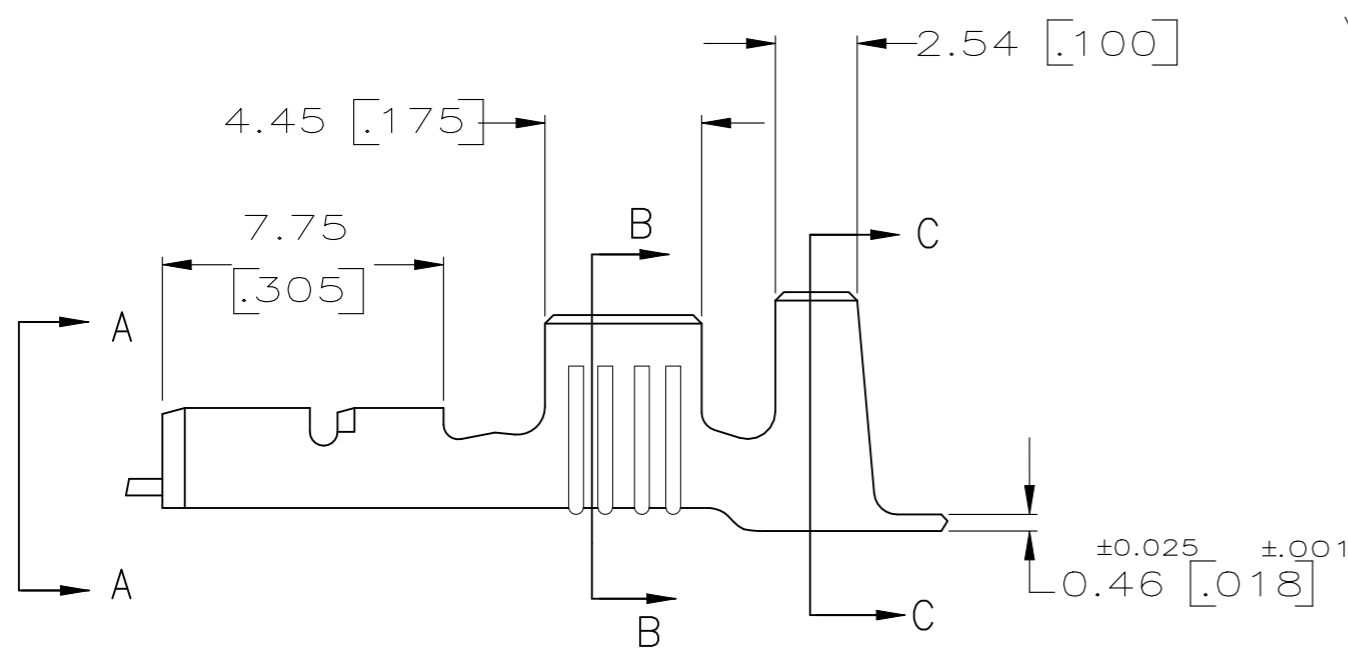
REVISIONS					
P	LTR	DESCRIPTION	DATE	DWN	APVD
	K2	REVISED PER ECR-24-209015	08SEP2024	DB	ES
	K3	REVISED PER ECR-24-224836	23OCT24	AG	RE

- 1 DIMENSIONS IN BRACKETS ARE IN INCHES.
- 2 CONTINUOUS STRIP ON REELS.

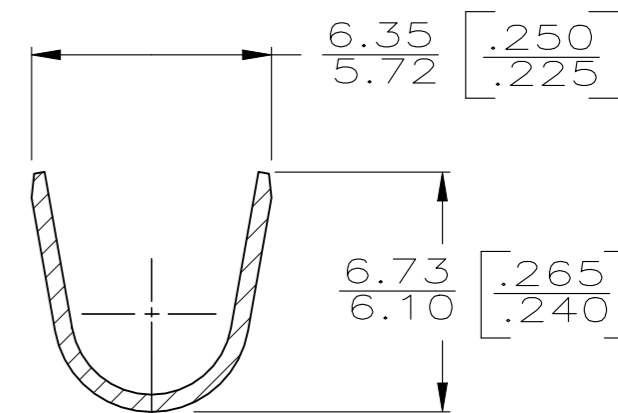


GAP AS REQUIRED TO MEET FORCE SPECIFICATIONS AND 0.71 [.028] MAX

VIEW A-A



SECTION B-B



SECTION C-C

SUPERSEDED BY 63365-2	FINISH	TIN	5.08-3.81 [.200-.150]	2.0-5.0mm ² [14-10]	0.84-0.76 [.033-.030]	63365-2 63365-1
					MATING TAB THK.	PART NO

THIS DRAWING IS A CONTROLLED DOCUMENT.		DWN	JR RUTH	10/10/86	TE Connectivity RECEPTACLE, FASTON, LOW-INSERTION, .250 SERIES								
DIMENSIONS: mm [INCHES]		CHK	M FEHER	12/1/87									
TOLERANCES UNLESS OTHERWISE SPECIFIED:		APVD	C MEYERS	12/1/87									
0 PLC ± - 1 PLC ± - 2 PLC ± - 3 PLC ± 0.25 [.010] 4 PLC ± - ANGLES ± -		PRODUCT SPEC		NAME									
MATERIAL	BRASS	FINISH	-	-	SIZE	A3	CAGE CODE	00779	DRAWING NO	C-63365	RESTRICTED TO	-	
CUSTOMER DRAWING					WEIGHT	0.000000	SCALE		5:1	SHEET	1 OF 1	REV	K3