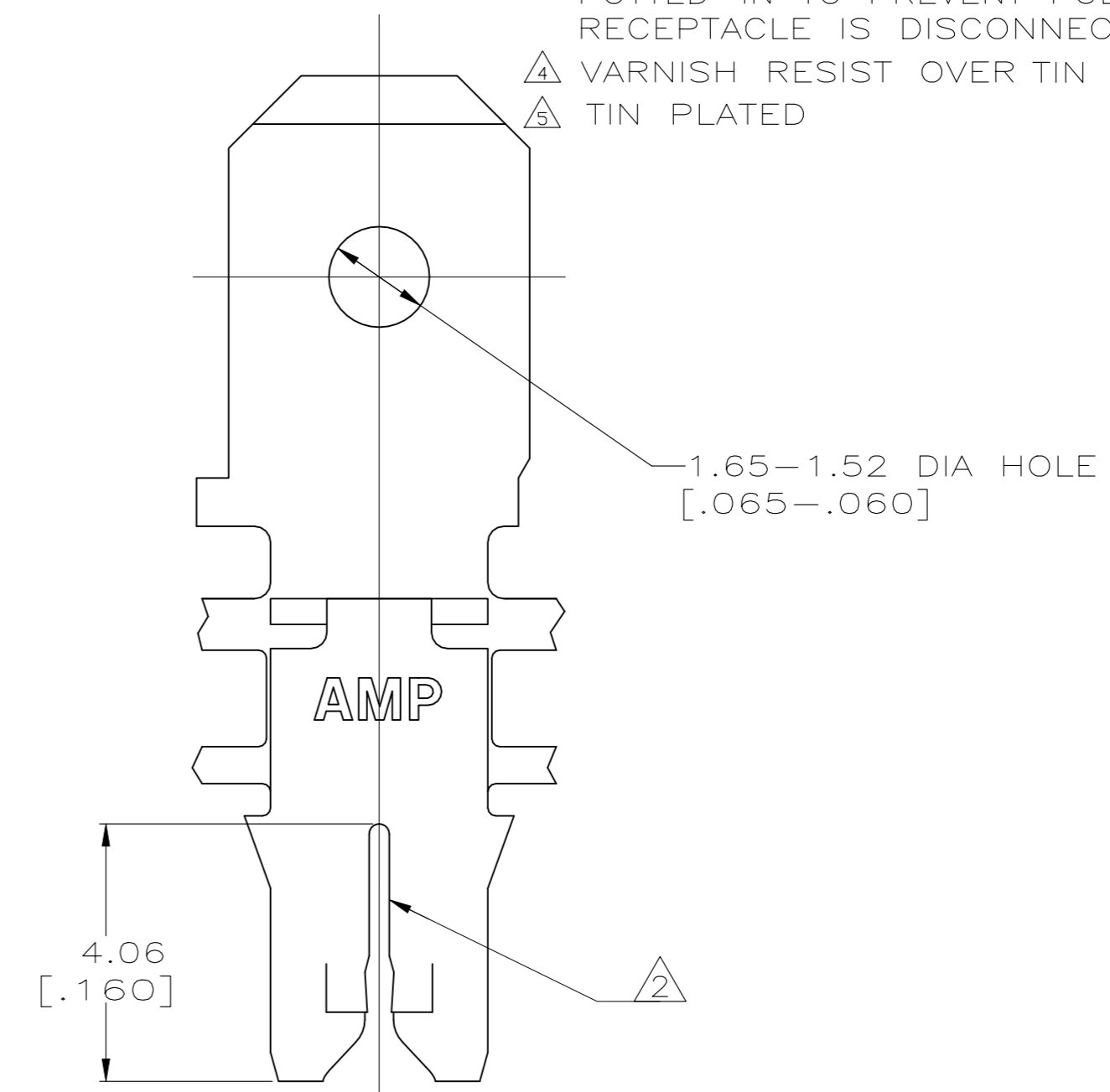
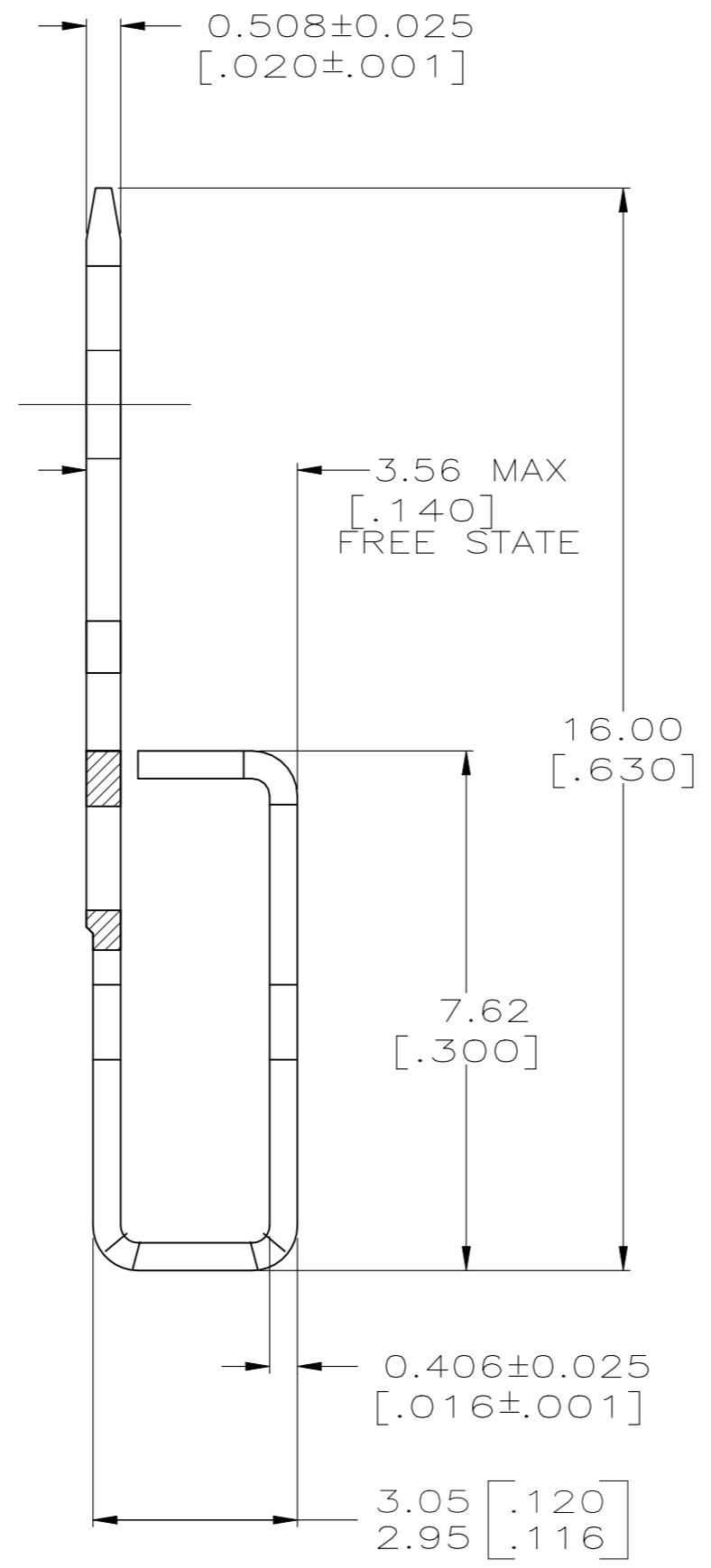
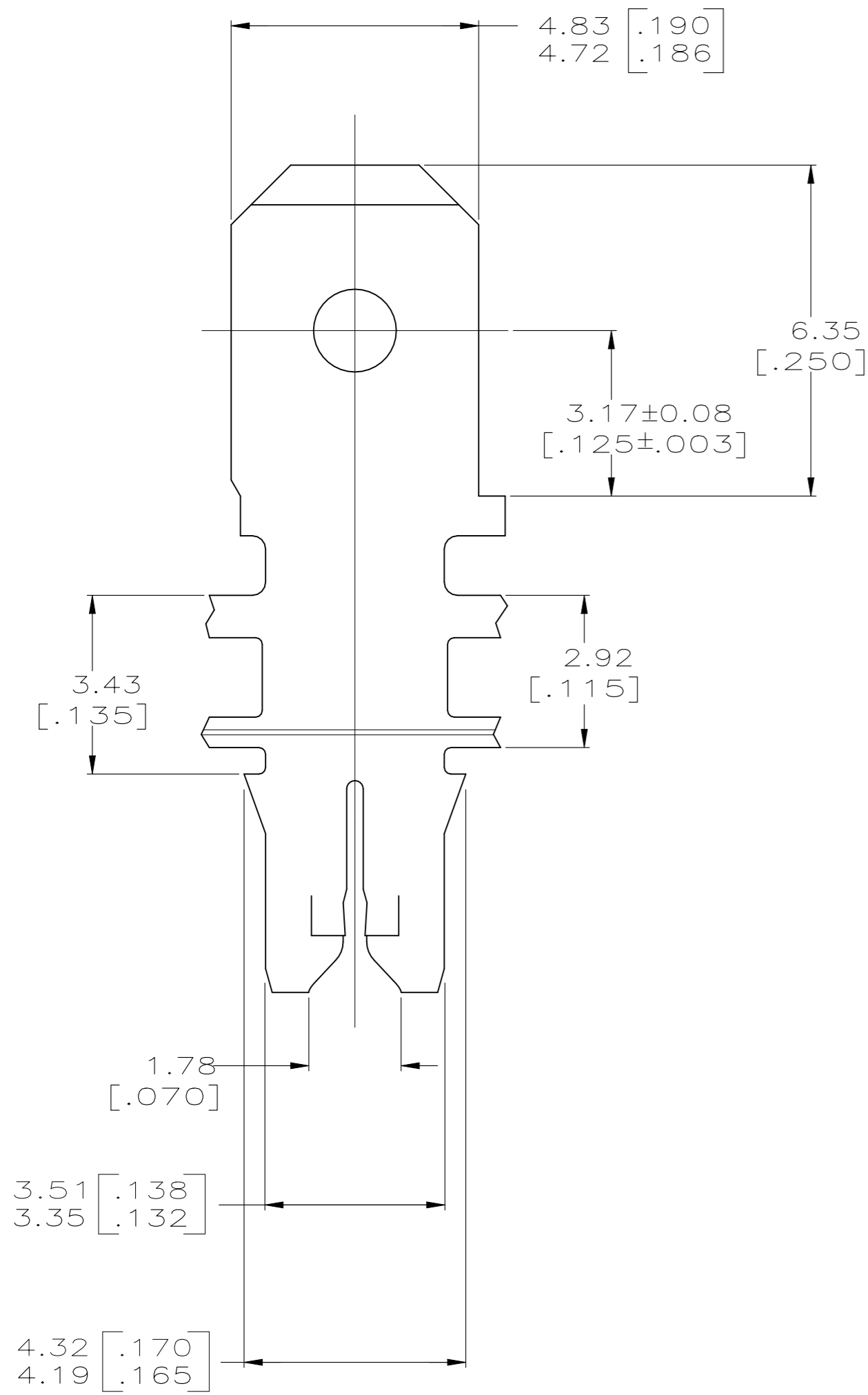
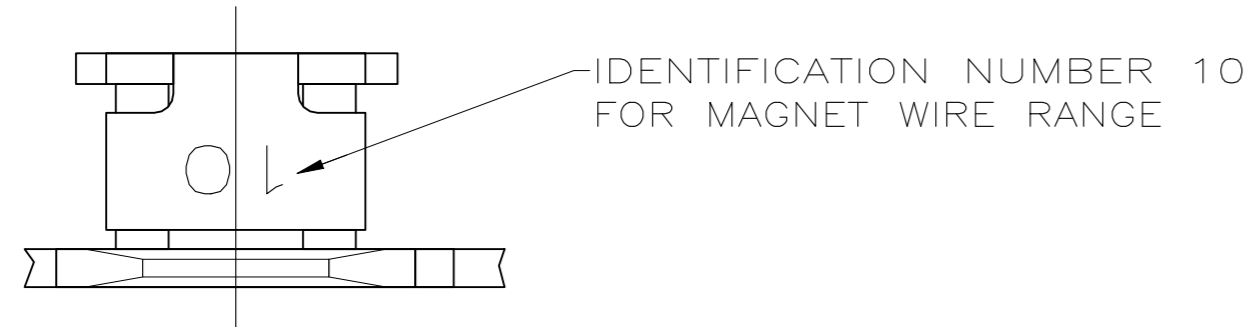


REVISIONS					
P	LTR	DESCRIPTION	DATE	DWN	APVD
D7		REVISED PER ECR-23-192873	17NOV2023	CJH	TD



- 1 CONTINUOUS STRIP ON REELS WITH TERMINALS LOCATED ON 5.59±0.08 [.220±.003] CENTERS
- 2 SLOT TERMINATES MAGNET WIRE OF SIZE:
SINGLE WIRE : COPPER WIRE RANGE :0.36-0.62 mm or ALUMINUM WIRE RANGE 0.51-0.65mm
DOUBLE WIRE: COPPER WIRE RANGE :0.36-0.57mm or ALUMINUM WIRE RANGE 0.51-0.64mm
ALUMINIUM RANGE IS APPLICABLE FOR POST TIN PLATED PART NUMBERS ONLY
- 3 AFTER INSERTION INTO PLASTIC HOLDER TAB PORTION MUST BE BENT OVER 45 TO 90 OR POTTED-IN TO PREVENT PULL-OUT WHEN MATING RECEPTACLE IS DISCONNECTED.
- 4 VARNISH RESIST OVER TIN PER MIL-T-10727.
- 5 TIN PLATED

5	63664-2
4	63664-1

THIS DRAWING IS A CONTROLLED DOCUMENT.		DWN MICHAEL S. FEHER 8/26/92	TE TE Connectivity		
DIMENSIONS: INCHES		CHK JEFF R. RUTH 8/26/92			
TOLERANCES UNLESS OTHERWISE SPECIFIED:		APVD NELSON E NEFF 8/28/92	NAME TERMINAL, TAB, 4.75 [.187] FASTON, MAG-MATE		
0 PLC ± - 1 PLC ± - 2 PLC ± 0.25 [.010] 3 PLC ± - 4 PLC ± - ANGLES ± -		PRODUCT SPEC 108-2012	SIZE A2	CAGE CODE 00779	DRAWING NO C=63664
MATERIAL BRASS		FINISH SEE TABLE	WEIGHT -	SCALE 10:1	SHEET 1 OF 1
CUSTOMER DRAWING			RESTRICTED TO -	REV D7	