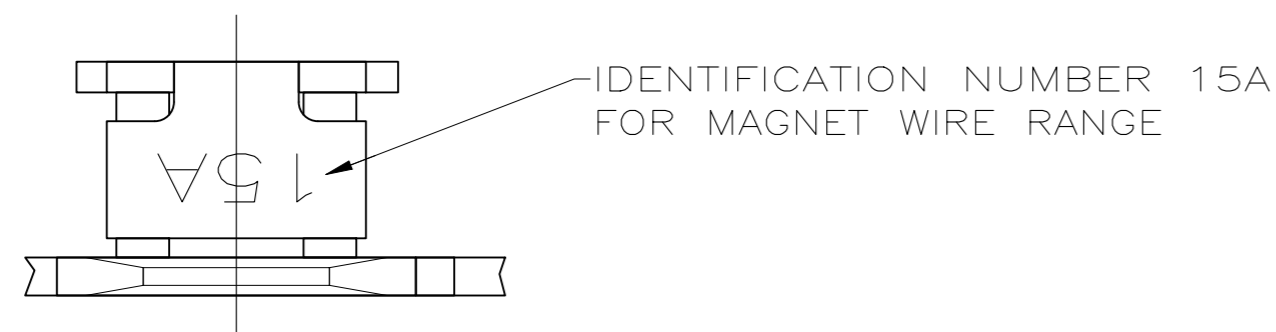
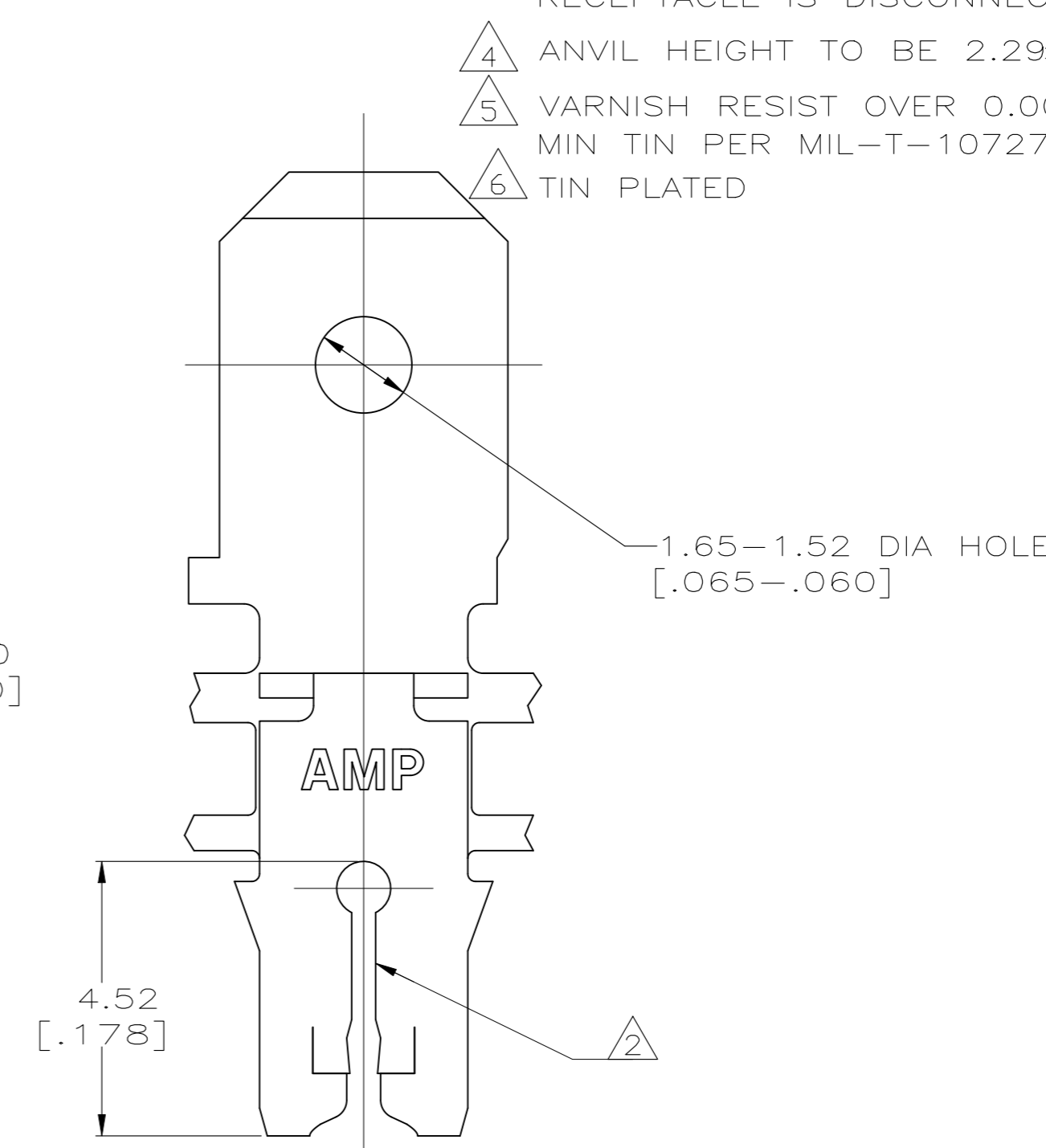
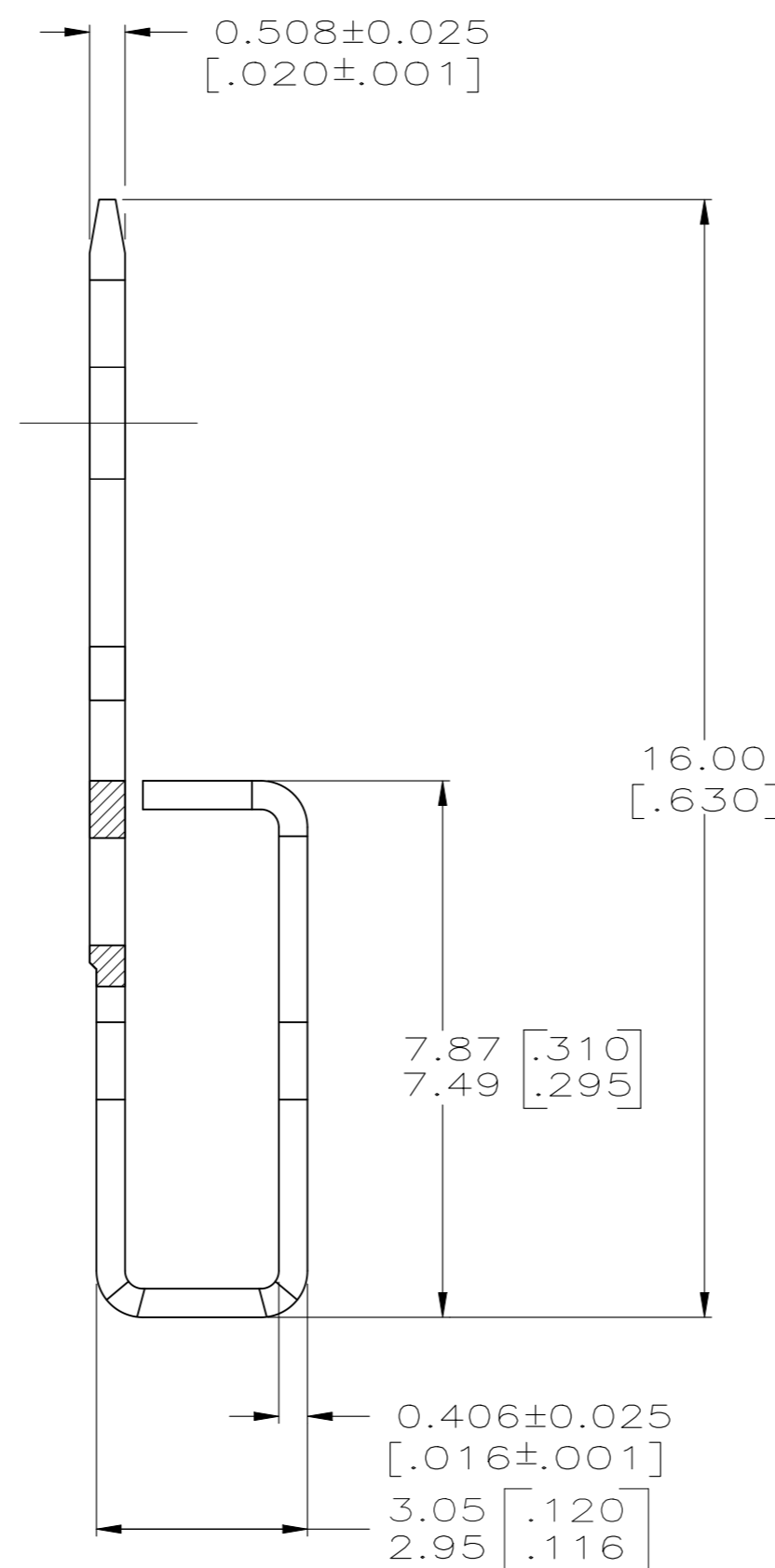
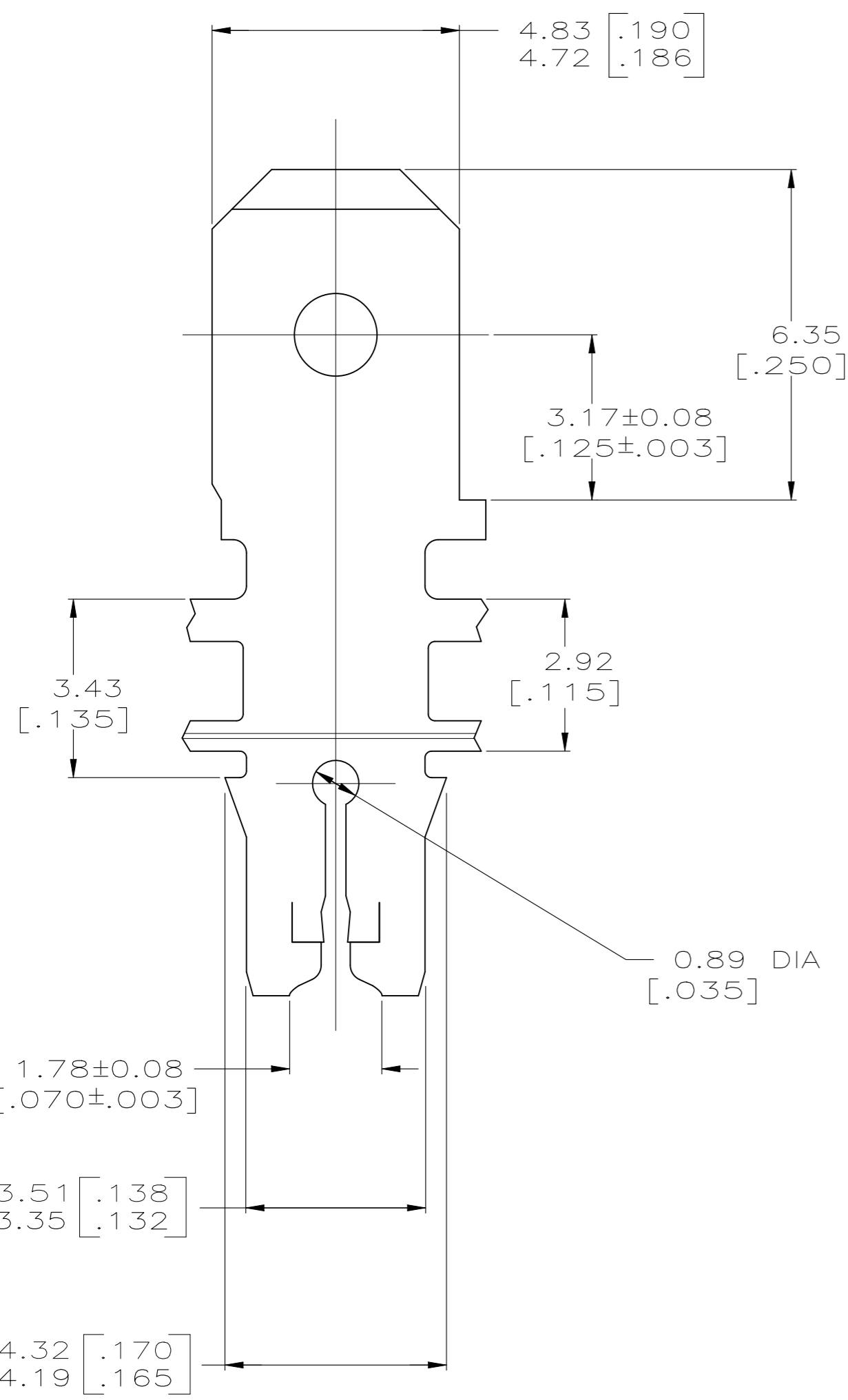


REVISIONS					
P	LTR	DESCRIPTION	DATE	DWN	APVD
D4		REVISED PER ECR-25-236218	27FEB2025	CJH	TD



- 1 CONTINUOUS STRIP ON REELS WITH TERMINALS LOCATED ON 5.59±0.08 [.220±.003] CENTERS.
- 2 SLOT TERMINATES A SINGLE MAGNET WIRE ONLY. ALUMINUM RANGE: 0.72-0.96mm [#21-#18.5] AWG. COPPER RANGE: 0.60-0.87mm.
- 3 AFTER INSERTION INTO PLASTIC HOLDER TAB PORTION MUST BE BENT OVER 45° TO 90° OR POTTED-IN TO PREVENT PULL-OUT WHEN MATING RECEPTACLE IS DISCONNECTED.
- 4 ANVIL HEIGHT TO BE 2.29±0.13 [.090±.005].
- 5 VARNISH RESIST OVER 0.001016 [.000040] MIN TIN PER MIL-T-10727.
- 6 TIN PLATED



6	63669-2
5	63669-1
REMARKS	PART NO.

THIS DRAWING IS A CONTROLLED DOCUMENT.		DWN MICHAEL S. FEHER 9/3/92	TE Connectivity	
DIMENSIONS: INCHES		CHK JEFF R. RUTH 9/4/92	NAME	
TOLERANCES UNLESS OTHERWISE SPECIFIED:		APVD NELSON E. NEFF 9/15/92	PRODUCT SPEC	
0 PLC ± -		108-2012		
1 PLC ± -		APPLICATION SPEC		
2 PLC ± 0.25 [.010]		114-2046 4		
3 PLC ± -		SIZE CAGE CODE DRAWING NO		
4 PLC ± -		A2 00779 C-63669		
ANGLES ± -		RESTRICTED TO		
MATERIAL BRASS	FINISH 5	WEIGHT 0.000000	SCALE 10:1 SHEET 1 OF 1 REV D4	
CUSTOMER DRAWING				