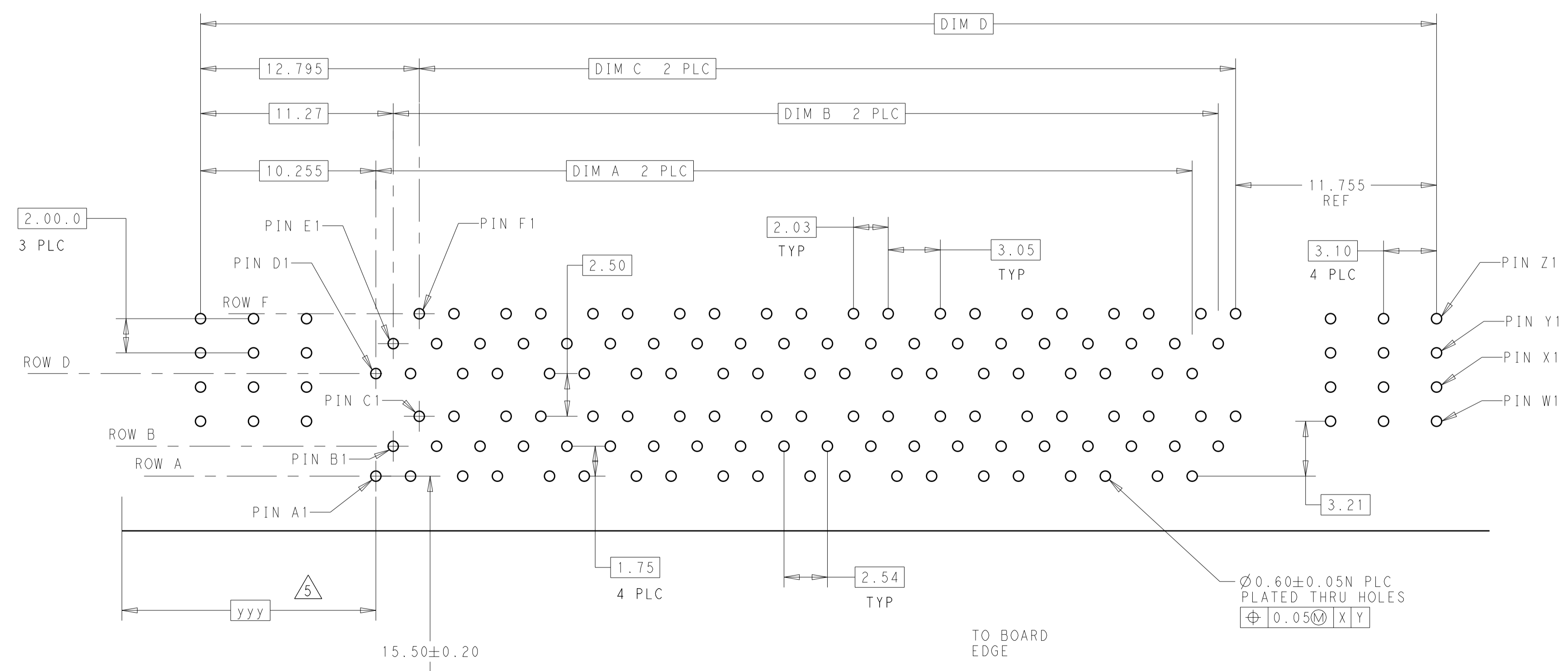
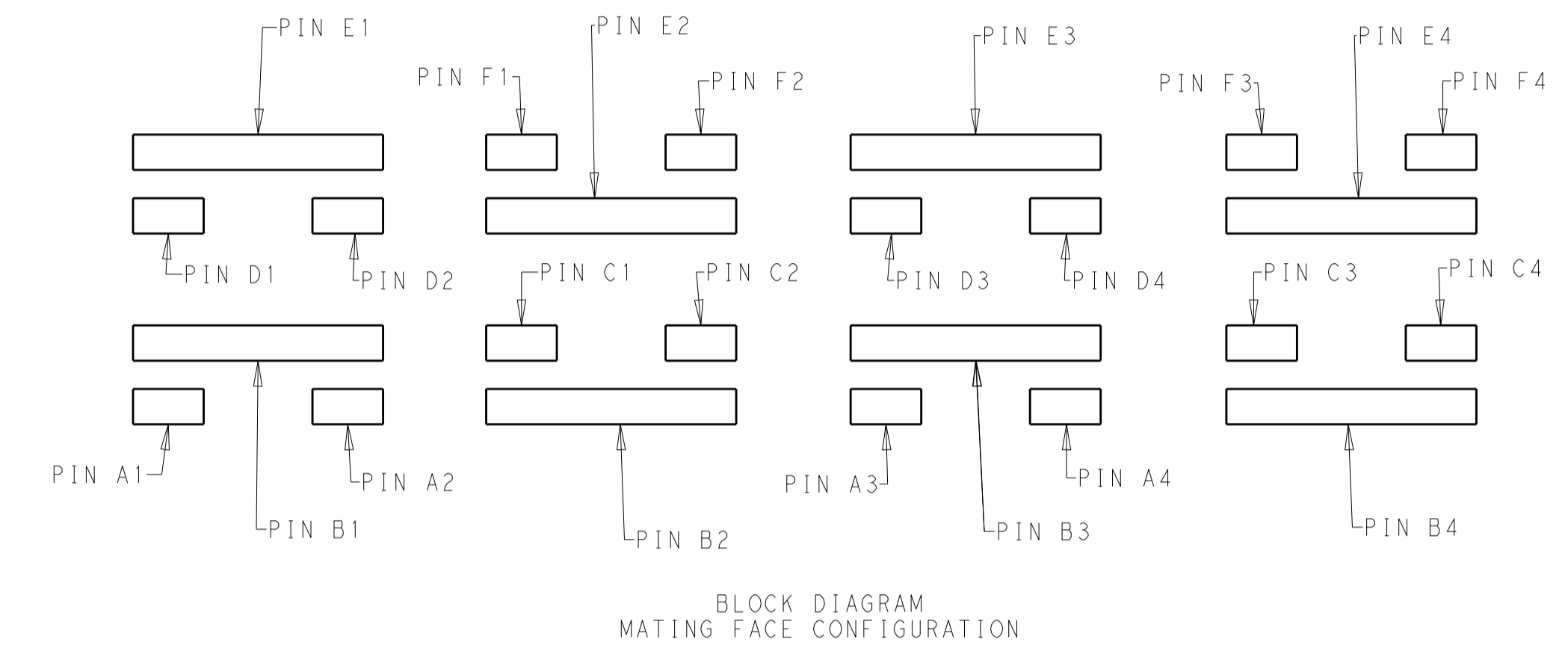
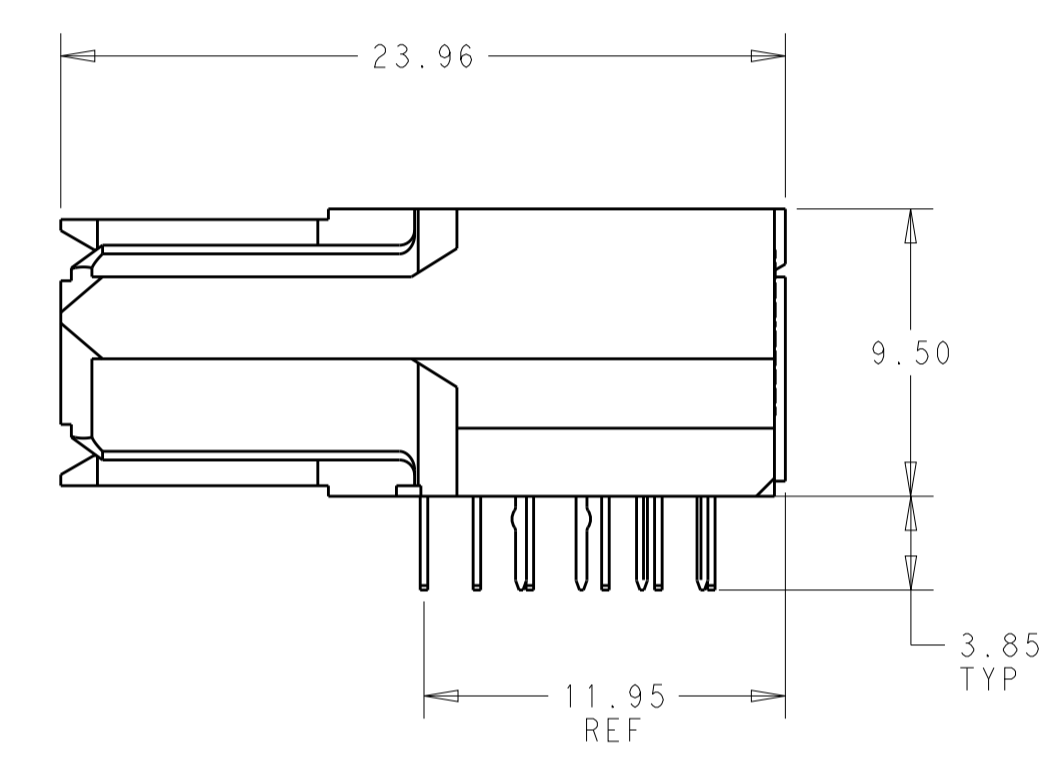
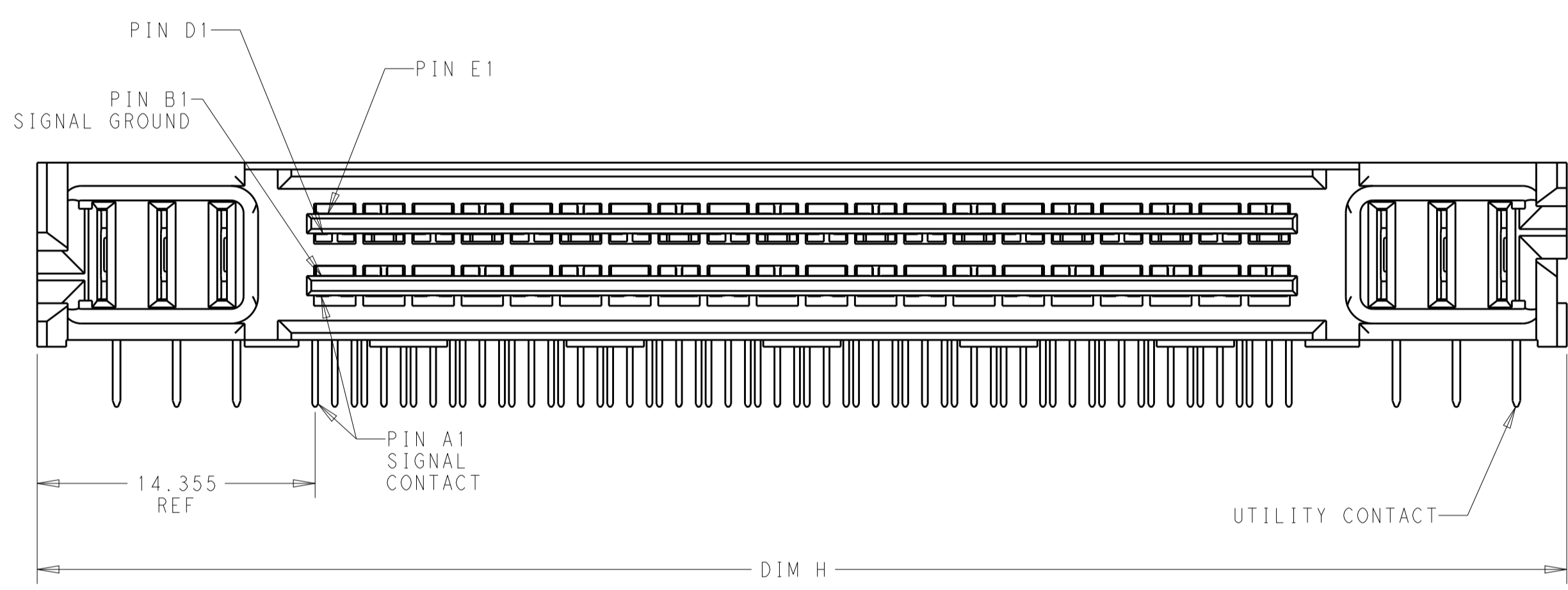
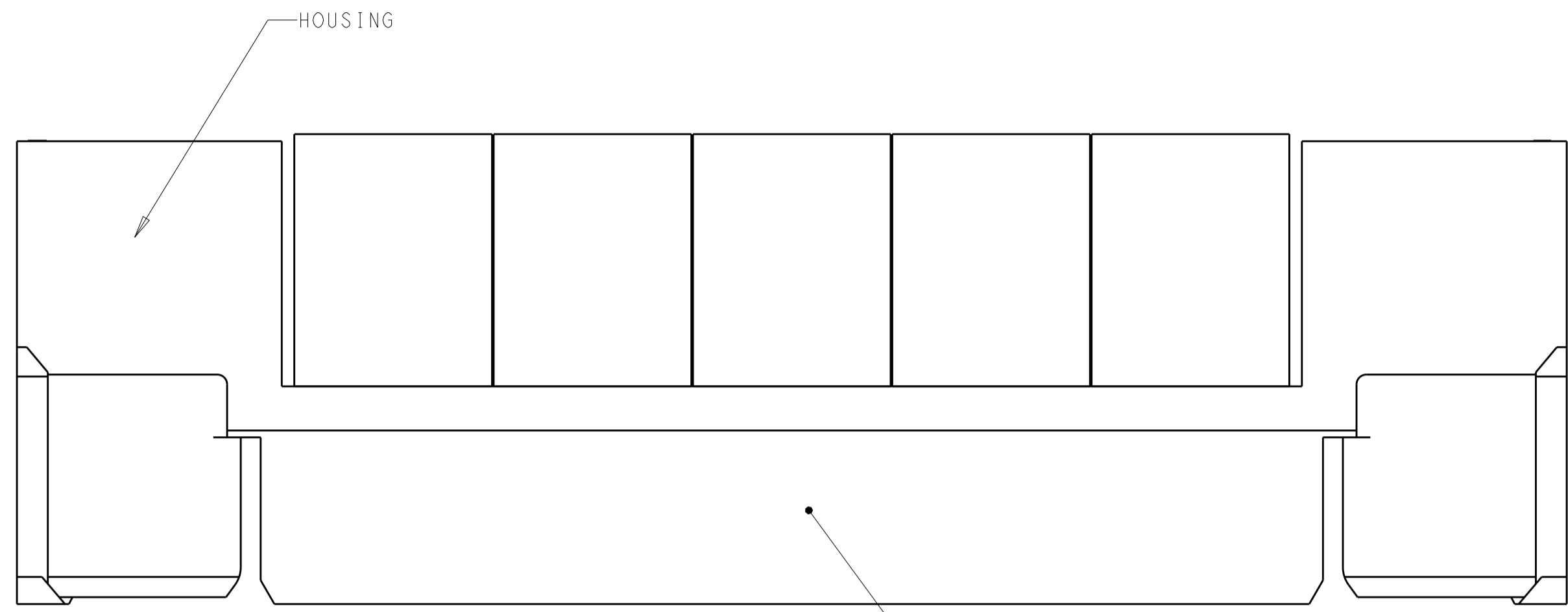


REVISIONS					
P.	LTN.	DESCRIPTION	DATE	DMN.	APVD.
B		REVISED PER ECO-10-012356	16DEC2010	CJV	EJB
C		ECO-15-006497	18APR2016	LL	SH

- 1 HOUSINGS; POLYESTER, UL 94V-0 RATED, NATURAL  
SIGNAL AND SIGNAL GROUND CONTACTS: COPPER ALLOY  
UTILITY CONTACTS: PHOSPHOR BRONZE
- 2 UTILITY CONTACTS: 0.76um MIN GOLD IN CONTACT AREA,  
2.54um MIN TIN ON PCB TAILS, OVER 1.27um MIN NICKEL OVER ALL.  
SIGNAL AND SIGNAL GROUND CONTACTS: 0.76um MIN GOLD IN CONTACT AREA,  
2.54um MIN TIN ON PCB TAILS, OVER 1.27um MIN NICKEL OVER ALL.
- 3. ROWS A, C, D, AND F ARE SIGNAL CONTACTS. ROWS B AND E ARE SIGNAL GROUND CONTACTS.
- 4 CONNECTOR SIZE CAN ACCOMMODATE INDICATED QUANTITY OF DIFFERENTIAL PAIRS.
- 5 DIMENSIONS PER CUSTOMER BOARD LAYOUT.
- 6 COMPANY LOGO IN APPROXIMATE AREA SHOWN.
- 7 OBSOLETE PART.



RECOMMENDED PC BOARD FOOTPRINT  
COMPONENT SIDE SHOWN  
SCALE: 5:1

240	119.64	112.94	88.90	88.39	72	6367650-9
216	109.48	102.78	78.74	78.23	64	6367650-8
192	99.32	92.62	68.58	68.07	56	6367650-7
168	89.16	82.46	58.42	57.91	48	6367650-6
144	79.00	72.30	48.26	47.75	40	6367650-5
120	68.84	62.14	38.10	37.59	32	6367650-4
96	58.68	51.98	27.94	27.43	24	6367650-3
72	48.52	41.82	17.78	17.27	16	6367650-2
48	38.36	31.66	7.62	7.11	8	6367650-1
N	H DIM	D DIM	B DIM	A OR C DIM	DIFF PAIRS 4	PART NUMBER

THIS DRAWING IS A CONTROLLED DOCUMENT.

DMN: JIM VAN SCOY 07JUN05  
CHK: N. REESER 07JUN05  
APVD: N. REESER 07JUN05

TE Connectivity

NAME: Z-DOK+ HOST BOARD CONNECTOR ASSEMBLY, 8-72 SIGNAL DIFF. PAIR, 3 UTILITY CONTACTS PER SIDE

PRODUCT SPEC: 108-1985  
APPLICATION SPEC: 114-13068

SIZE: A1 00779 C=6367650  
SCALE: 4:1 SHEET 1 OF 1 REV C