

THIS DRAWING IS UNPUBLISHED.

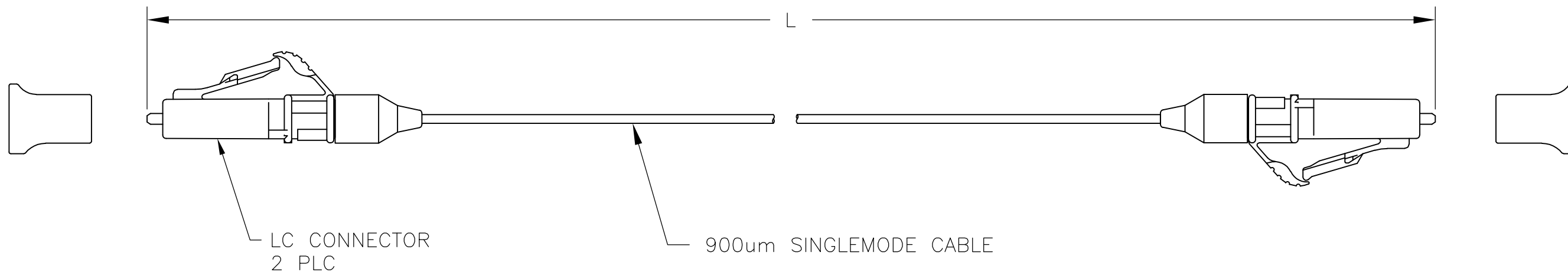
RELEASED FOR PUBLICATION

ALL RIGHTS RESERVED.

© COPYRIGHT - By -

LOC	DIST	REVISIONS			
P	LTR	DESCRIPTION	DATE	DWN	APVD
CE	16	C	ECR-13-014889	22SEP2013	HZ RZ

- 1. MAXIMUM CONNECTOR INSERTION LOSS IS 0.2dB PLUS CABLE ATTENUATION OF 0.7dB/km AT 1310nm. (SEE TABLE)
- 2. MINIMUM RETURN LOSS: 55 dB
- 3. PRODUCT AND PROCESSING MUST MEET REQUIREMENTS OF TEC-138-702.



MAX IL (dB)	L	PART NUMBER
0.21	20.00±0.30 [787.0±12.0]	2-6374107-0
0.21	10.00±0.15 [393.70±6.00]	1-6374107-0
0.20	0.413±.032 [10.50±0.80]	6374107-8
0.20	1.35±.05 [53.15±2.00]	6374107-7
0.20	2.15±.05 [84.65±2.00]	6374107-6
0.20	5.00±0.08 [196.90±3.00]	6374107-5
0.20	4.00±0.08 [157.50±3.00]	6374107-4
0.20	3.00±0.05 [118.10±2.00]	6374107-3
0.20	2.00±0.05 [78.70±2.00]	6374107-2
0.20	1.00±0.05 [39.40±2.00]	6374107-1

THIS DRAWING IS A CONTROLLED DOCUMENT.		DWN KATHY HE 27SEP05	STE TE Connectivity													
DIMENSIONS: METERS [INCHES]		CHK RICHARD ZHAO 27SEP05														
TOLERANCES UNLESS OTHERWISE SPECIFIED:		APVD J.DUNCAN 27SEP05	NAME CABLE ASSY, FIBER OPTIC, 900 BUFFER, SM LC TO LC, OPTIMATE													
<table border="0"> <tr><td>0 PLC</td><td>± -</td></tr> <tr><td>1 PLC</td><td>± -</td></tr> <tr><td>2 PLC</td><td>± -</td></tr> <tr><td>3 PLC</td><td>± -</td></tr> <tr><td>4 PLC</td><td>± -</td></tr> <tr><td>ANGLES</td><td>± -</td></tr> </table>		0 PLC	± -	1 PLC	± -	2 PLC	± -	3 PLC	± -	4 PLC	± -	ANGLES	± -	PRODUCT SPEC -	-	
0 PLC	± -															
1 PLC	± -															
2 PLC	± -															
3 PLC	± -															
4 PLC	± -															
ANGLES	± -															
MATERIAL -		FINISH -	APPLICATION SPEC -	RESTRICTED TO -												
		WEIGHT -	SIZE A3	CAGE CODE 00779												
		CUSTOMER DRAWING	DRAWING NO C-6374107	SCALE NTS												
			SHEET 1 OF 1	REV C												