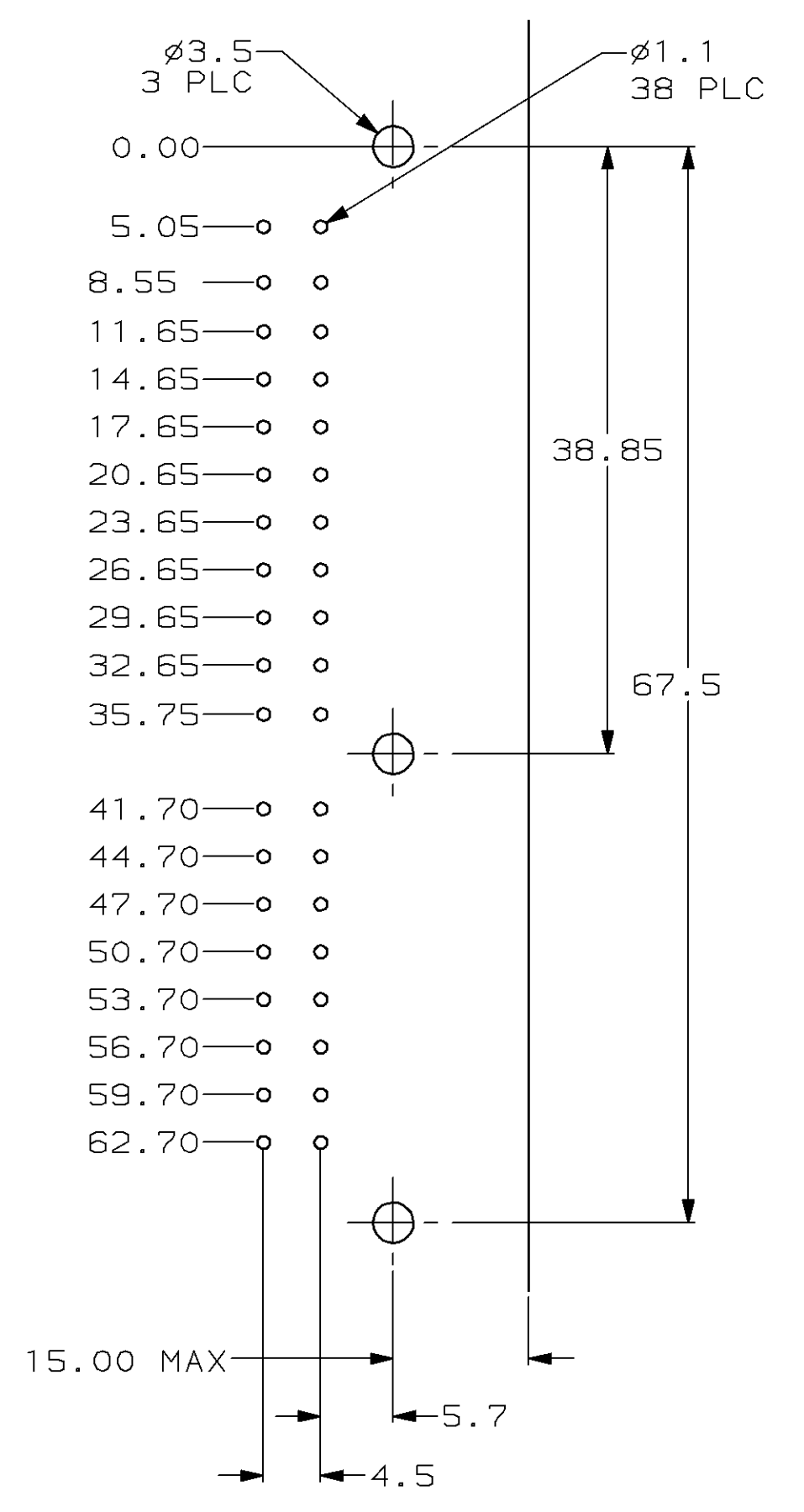
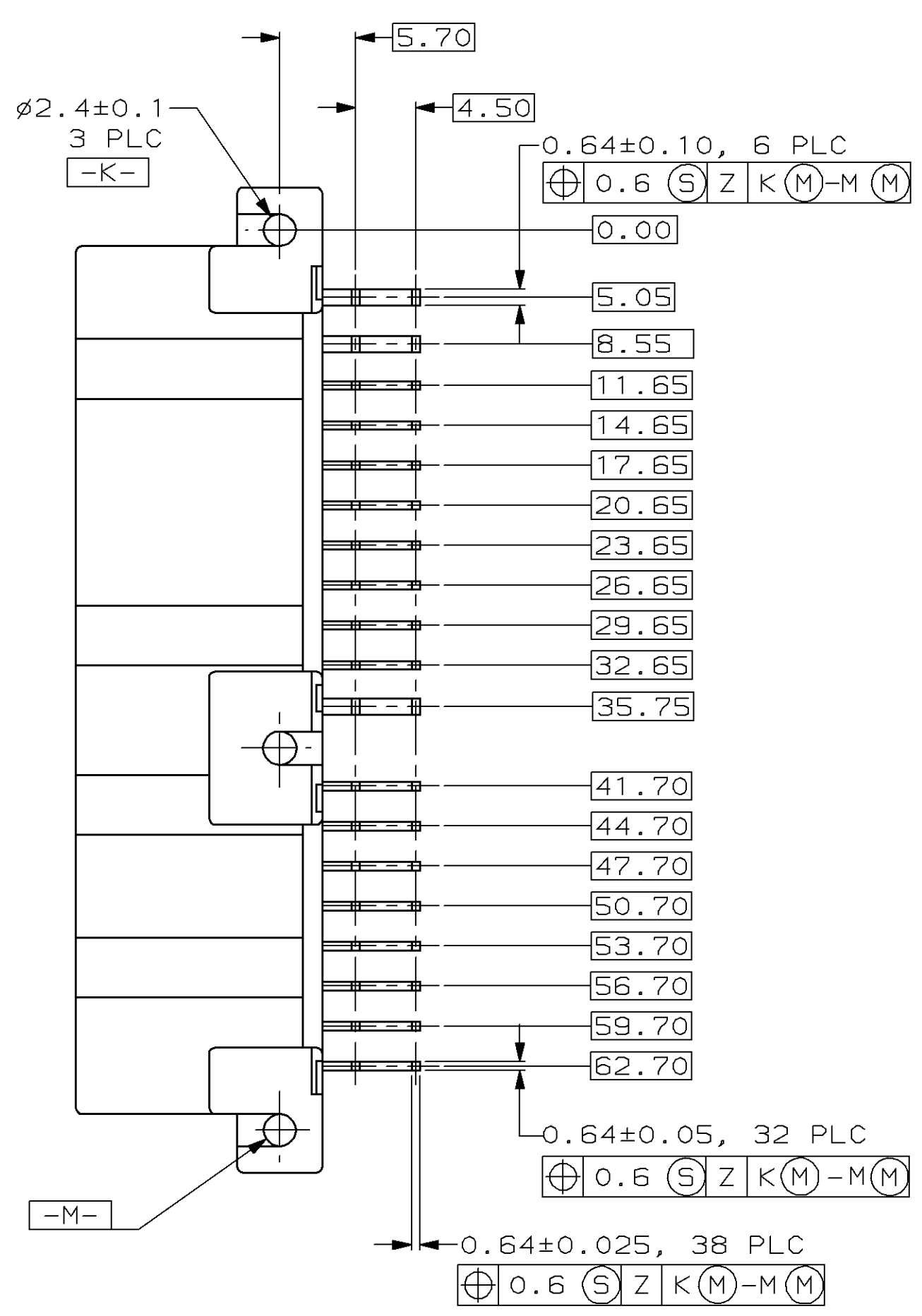
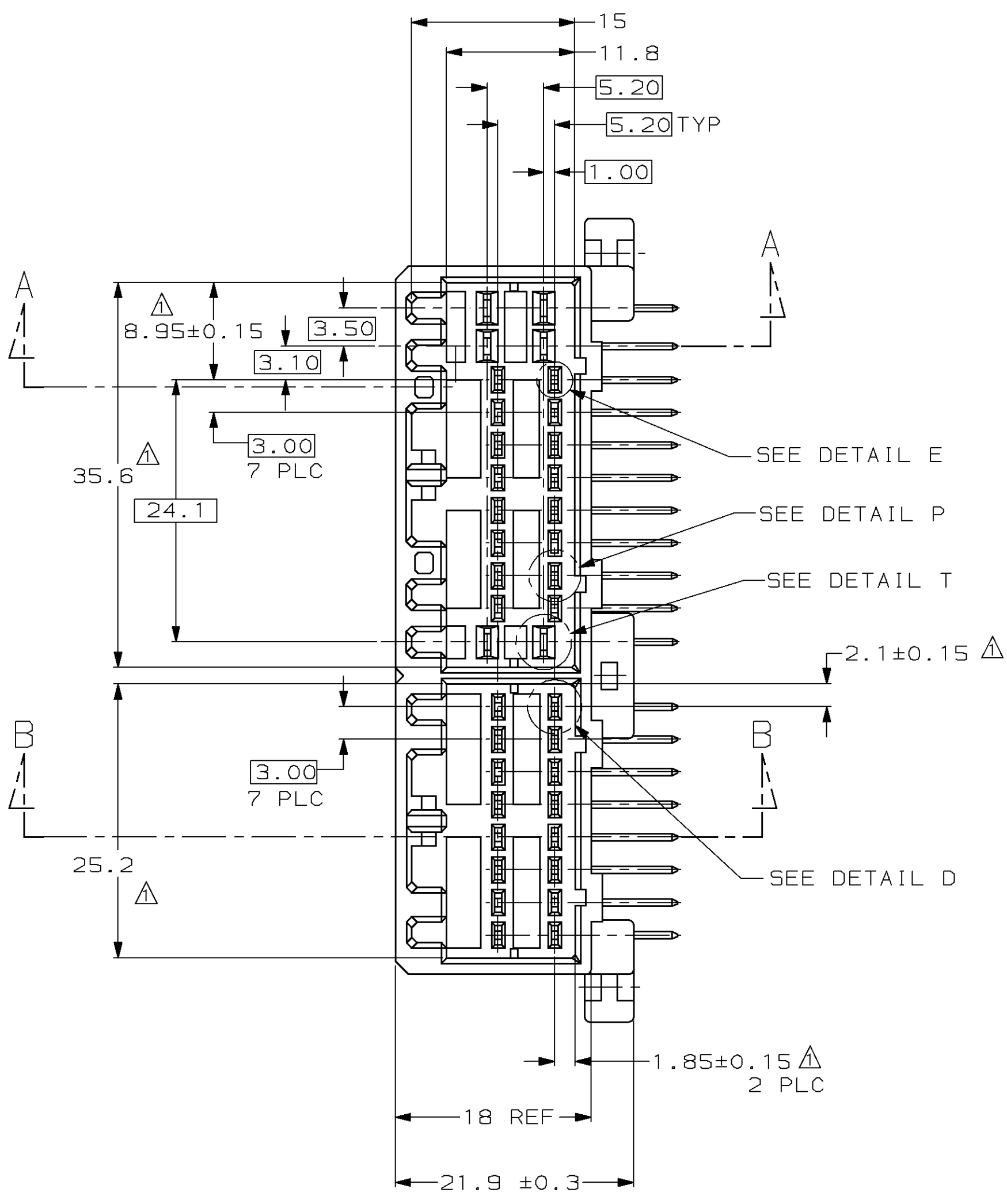
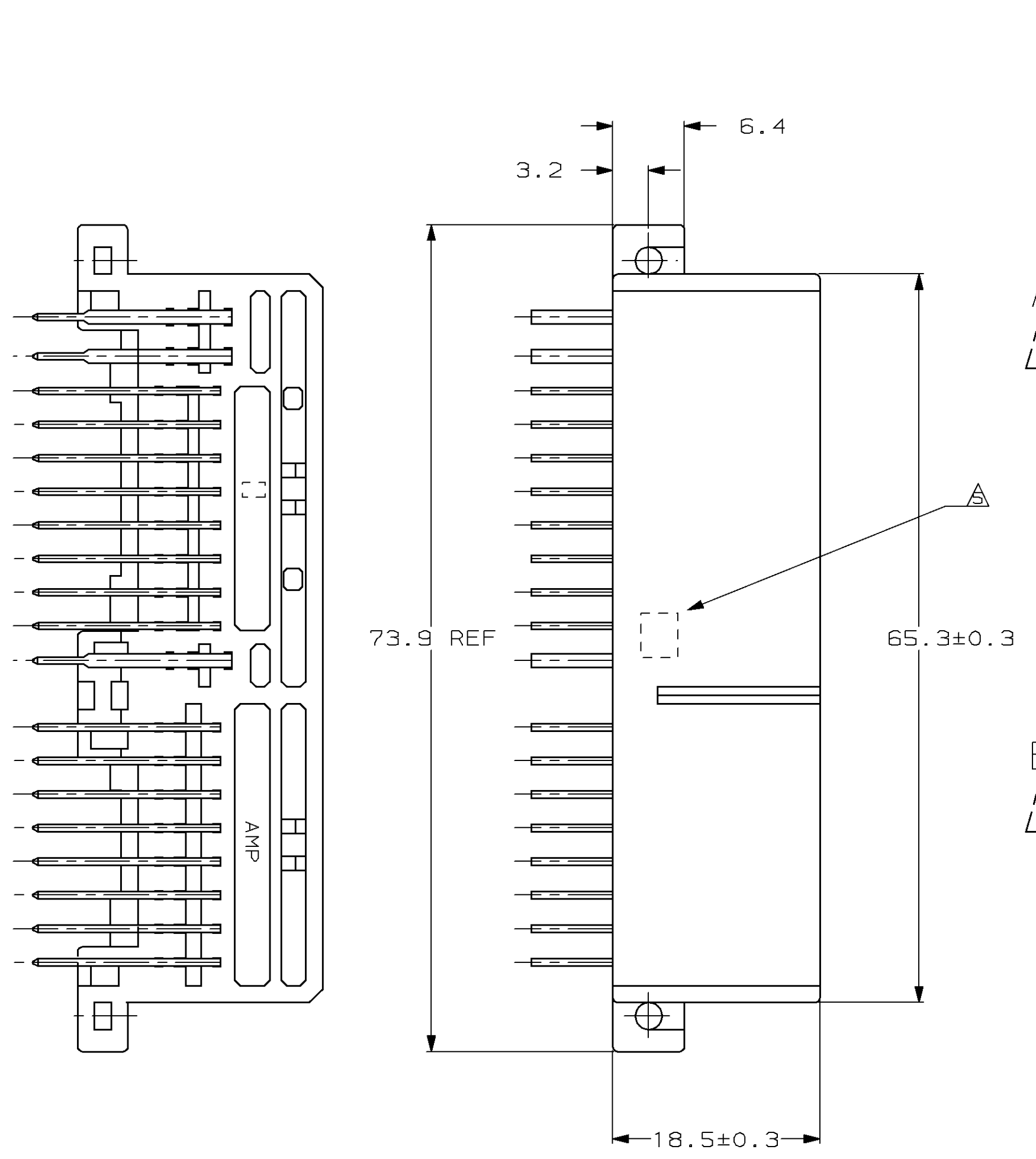
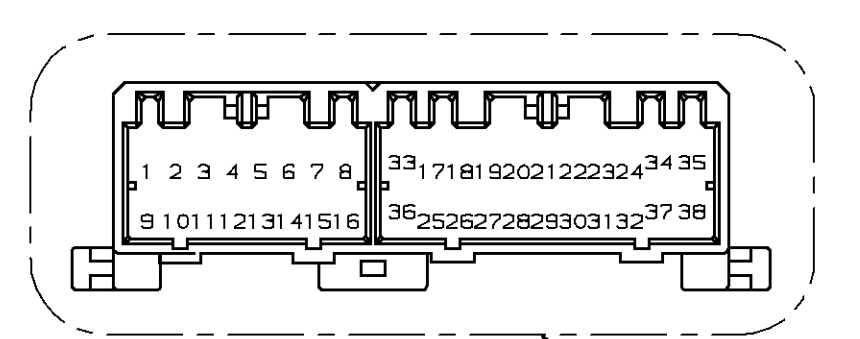
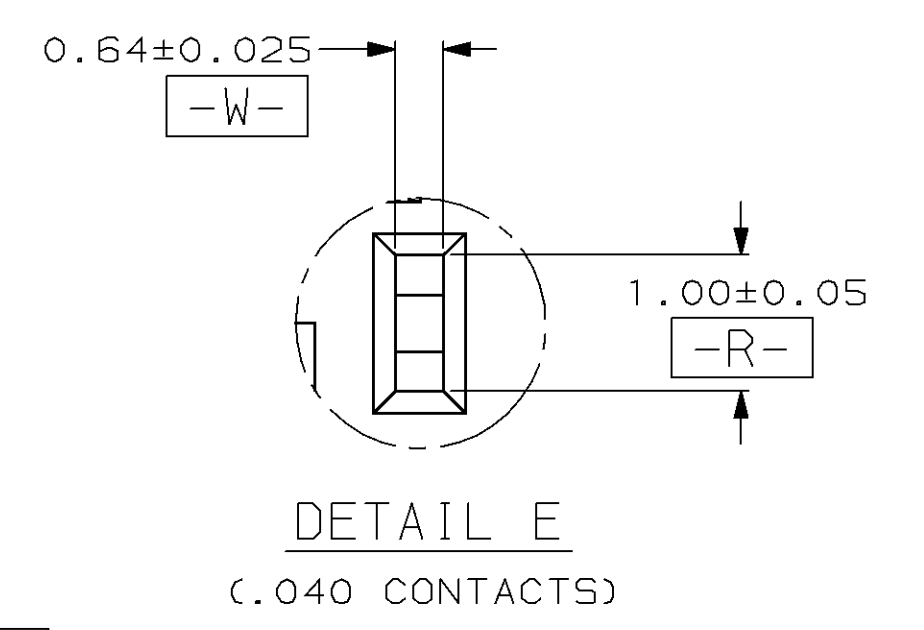
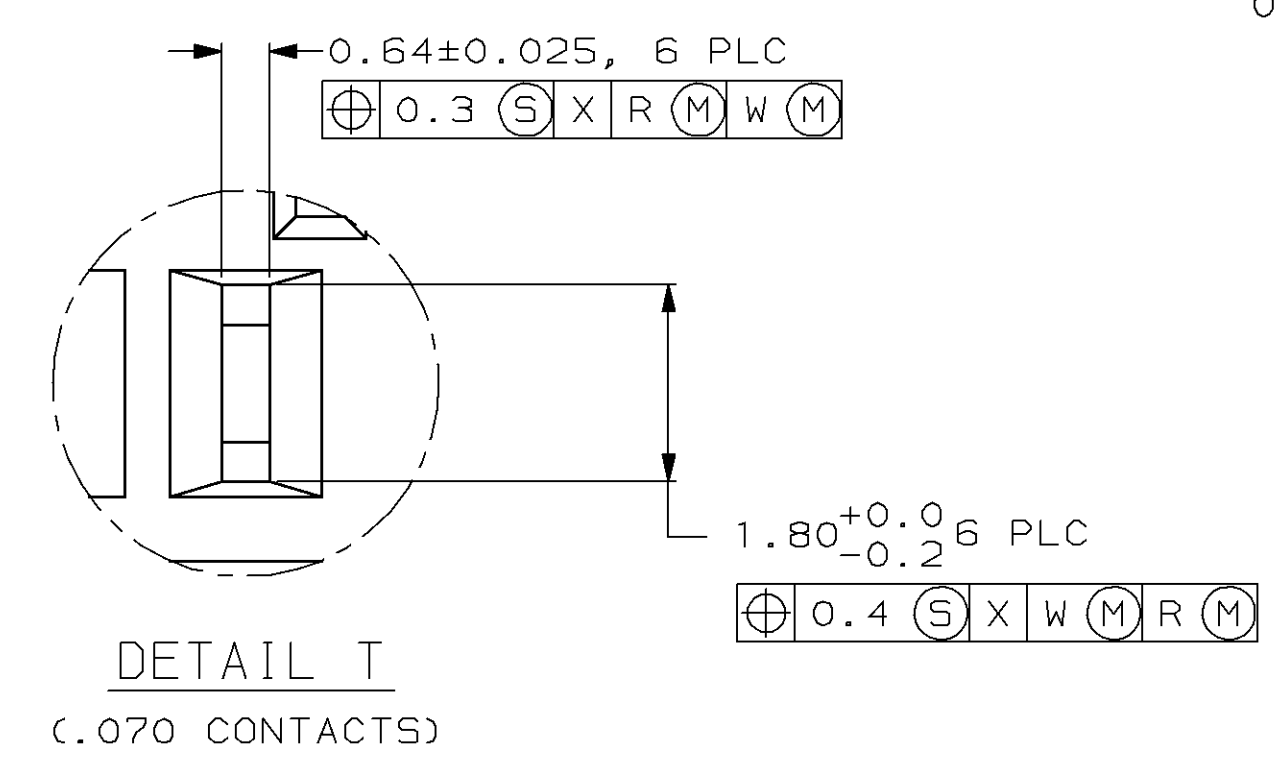
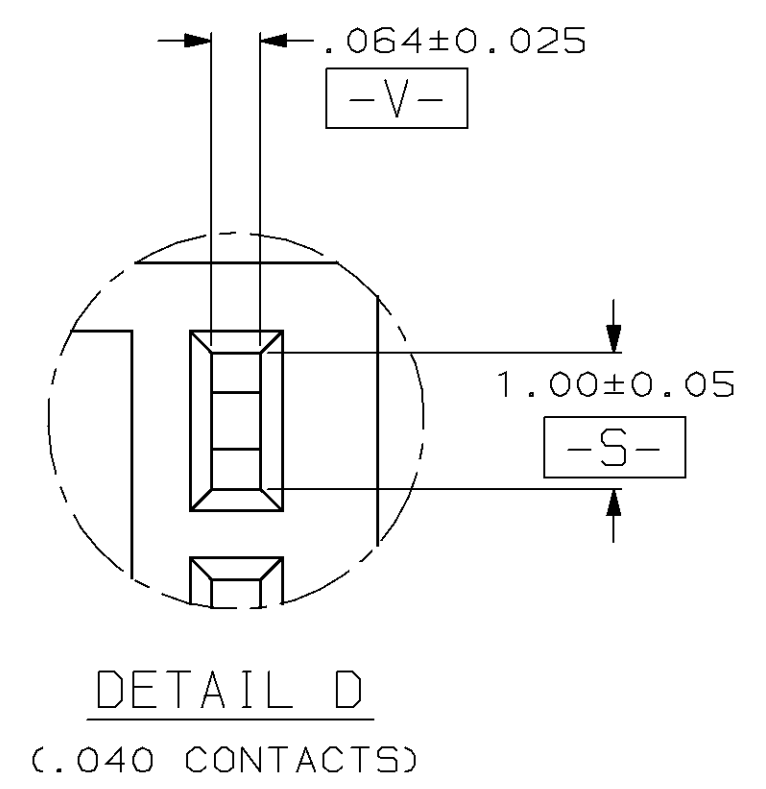
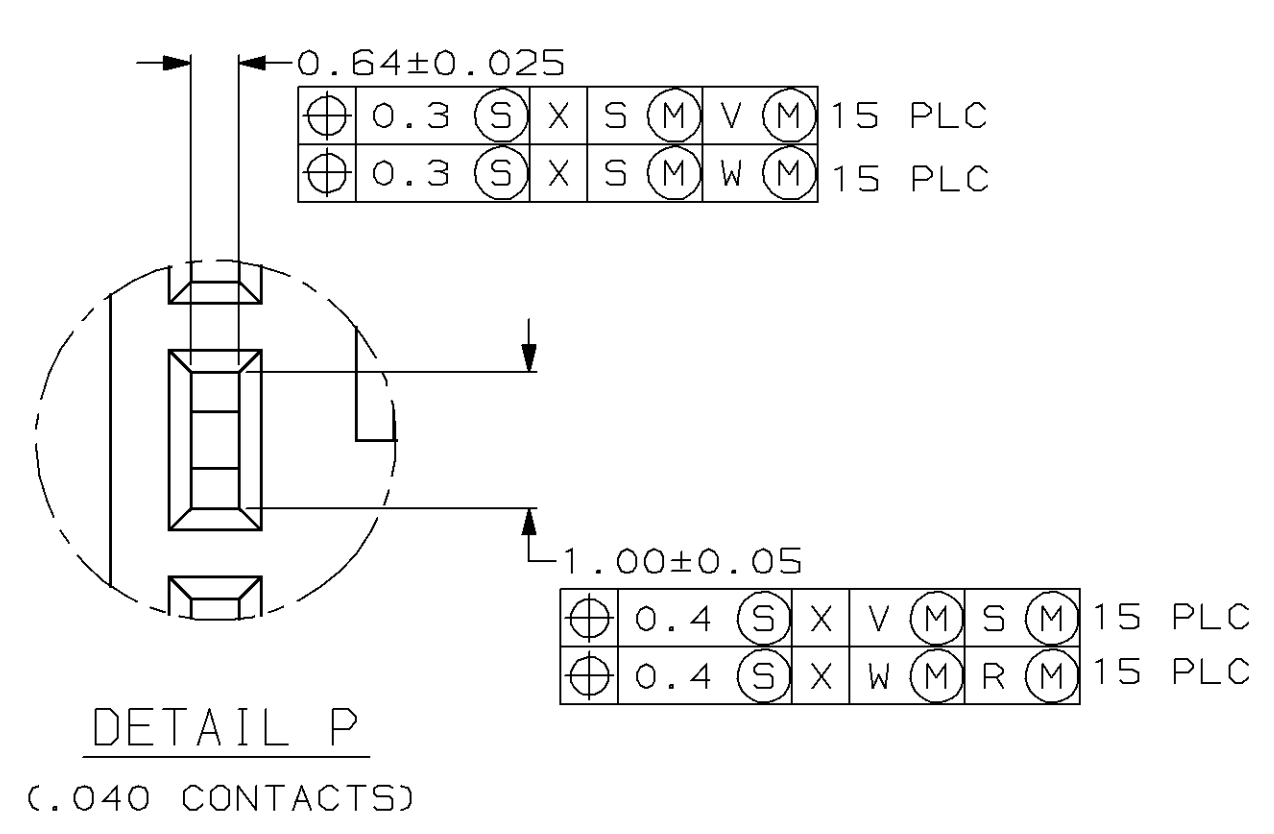
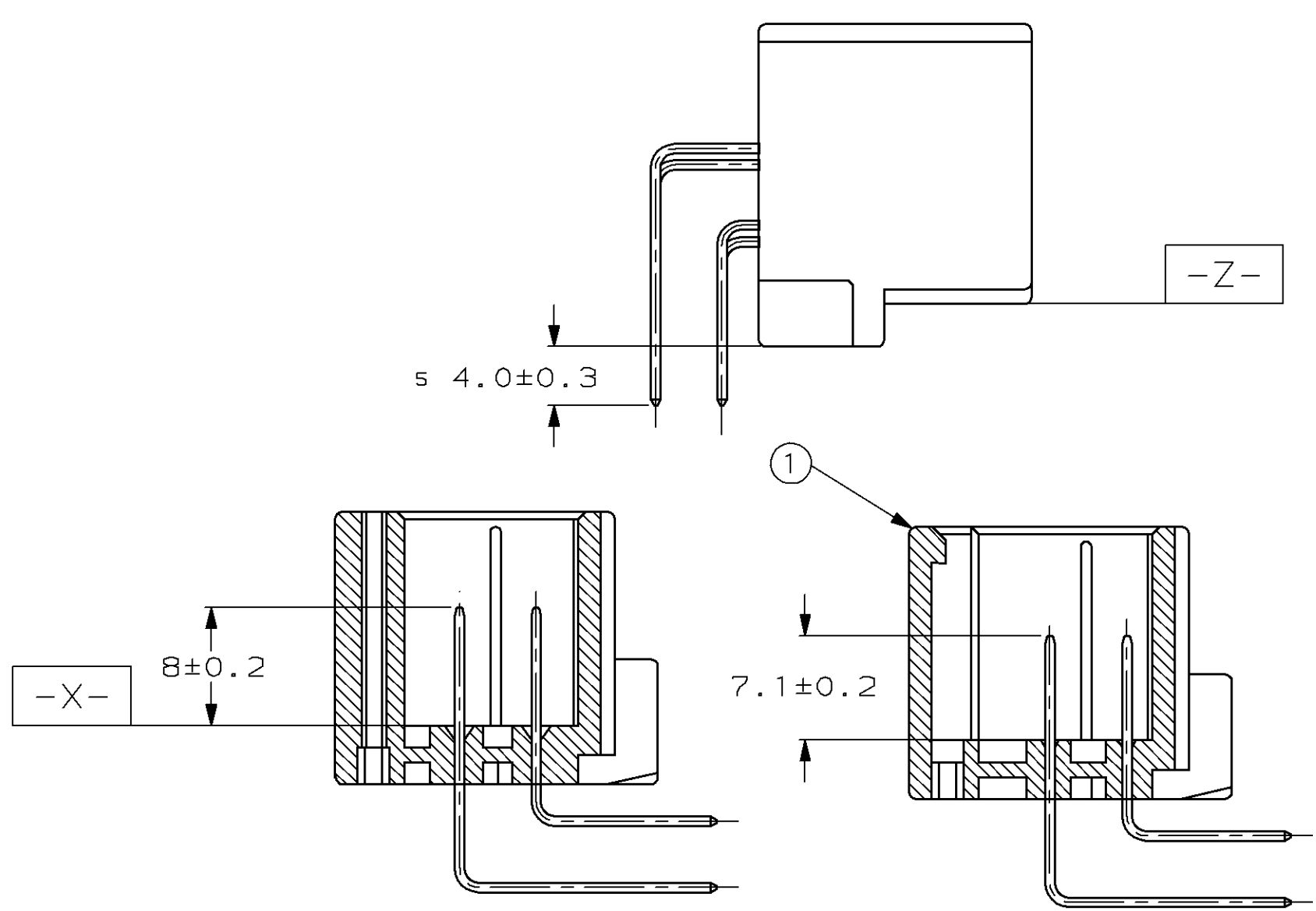


LOC		DIST		REVISIONS			
FX	24	P	LTR	DESCRIPTION	DATE	DMN	APVD
B	REV PER EC	#0K80-0038-98			3-12-98	JLM	RS



RECOMMENDED PC BOARD MOUNTING DIMENSIONS
ALL DIMS TO BE ±0.1



638048-1 SHOWN

- △ MUST BE KEPT BETWEEN -X- AND 2
- 2 THE MATING PLUG HSG. PART NUMBER, 178795, 178798
- 3. RECOMMENDED MOUNTING SCREW - #4 x .25IN LENGTH
MAX PAN HEAD
TIGHTENING TORQUE: 25n.cm MAX
- △ CIRCUIT NUMBER
POWER CIRCUIT NO. 33 0 38
SIGNAL CIRCUIT NO. 1 0 32
- △ DATE CODE BY HOT MARK

638048-1
PART NUMBER

THIS DRAWING IS A CONTROLLED DOCUMENT.		DMN P YEAGER 1-10-97	AMP Incorporated Harrisburg, PA 17105-3508
DIMENSIONS: mm		CHK R GRAY 1-10-97	
TOLERANCES UNLESS OTHERWISE SPECIFIED:		APVD R GRAY 1-10-97	NAME: 38 POSN CAP ASY PRODUCT SPEC: .108-5342 APPLICATION SPEC: -
0 PLC ±.05		SIZE: A1	
1 PLC ±.05		CAGE CODE: 00779	RESTRICTED TO: -
2 PLC ±.05		SCALE: 2:1	
3 PLC ±.05		DRAWING NO: 638048	SHEET 1 OF 1
4 PLC ±.05		REV: B	
FINISH: TIN PRE-PLATED		WEIGHT: 16 GRAMS	CUSTOMER DRAWING
MATERIAL: HIGH TEMP BLACK NYLON		SCALE: 2:1	