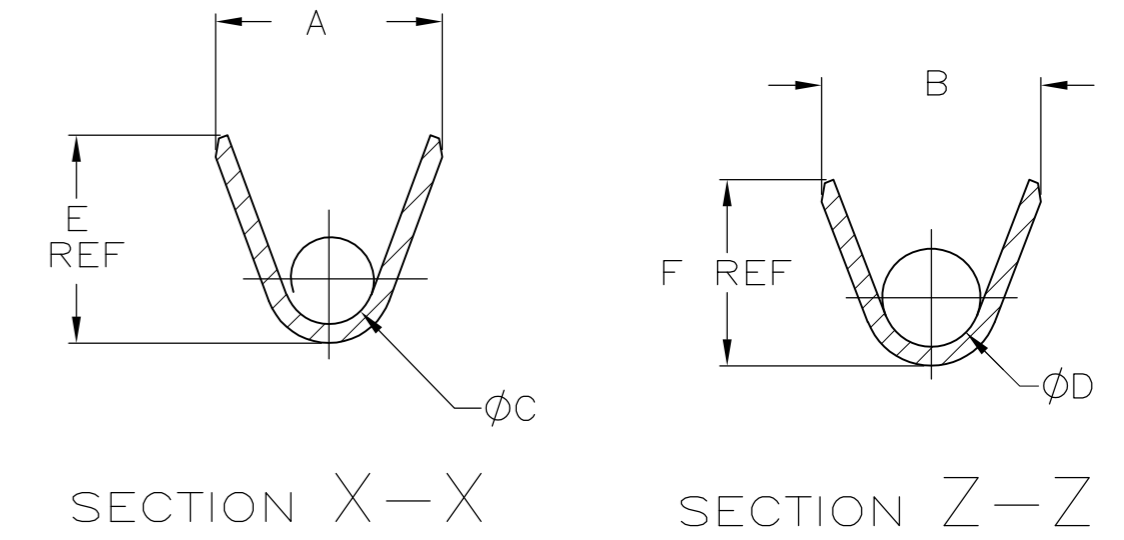
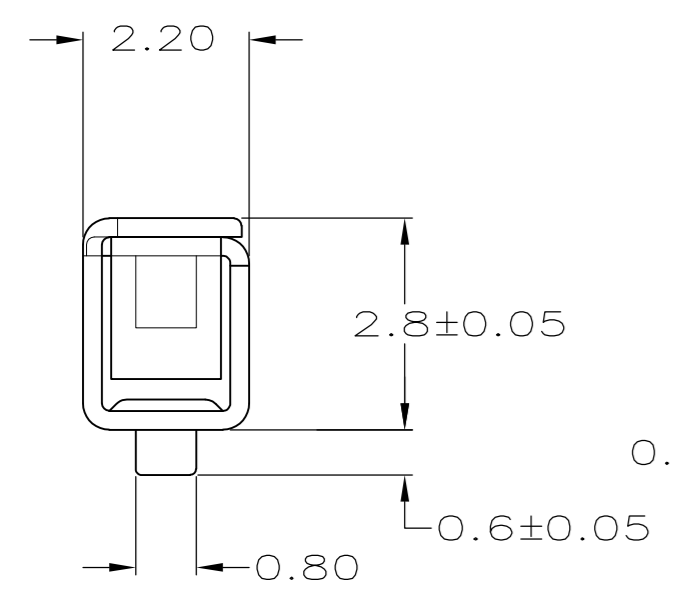
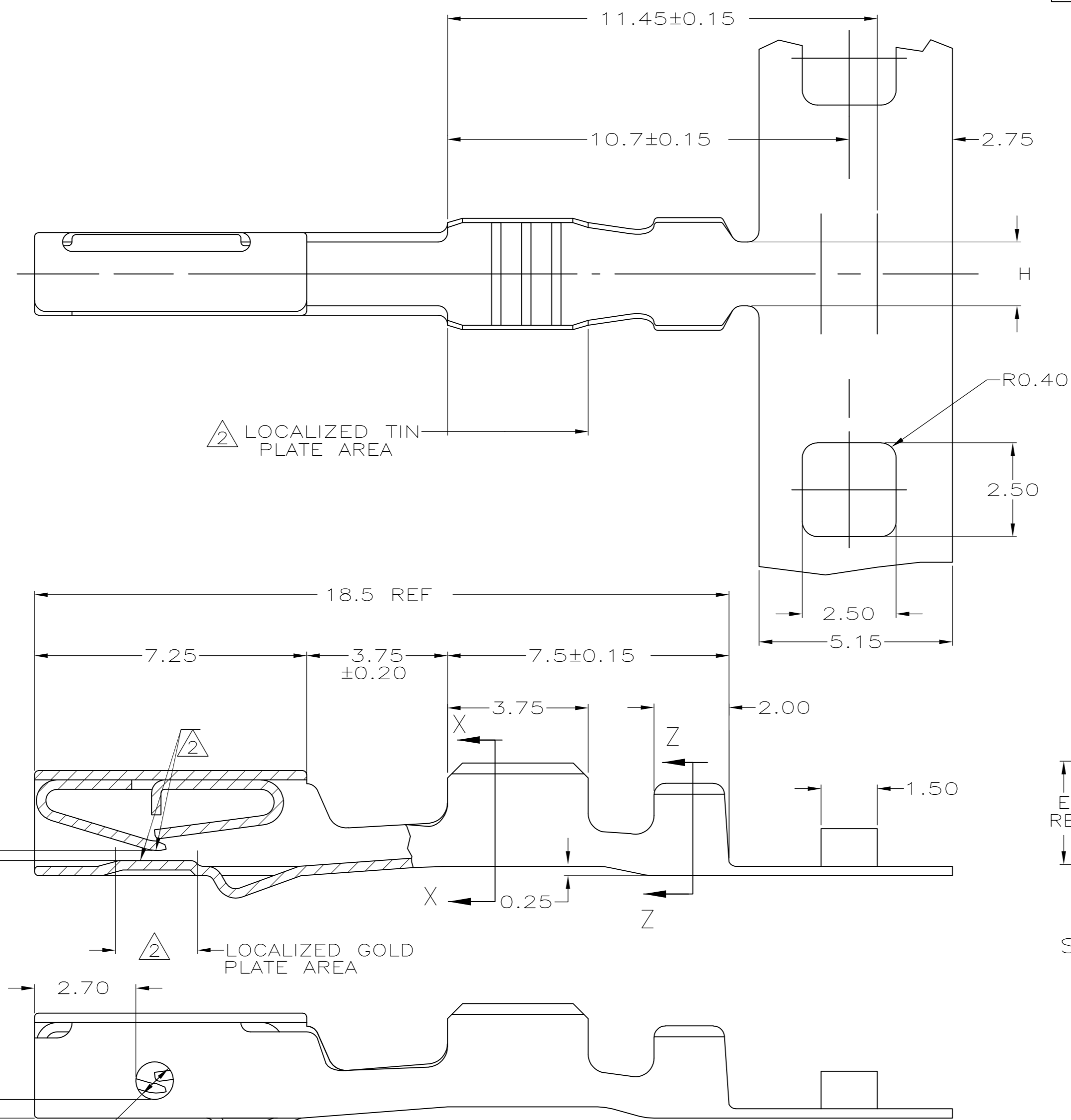


THIS DRAWING IS UNPUBLISHED. RELEASED FOR PUBLICATION
 © COPYRIGHT - By - ALL RIGHTS RESERVED.

LOC	DIST	REVISIONS					
FX	54	P	LTR	DESCRIPTION	DATE	DWN	APVD
		C		REVISED PER ECO-15-003869	11MAR2015	DD	RL



638099-2 REELED FOR AMP APPLICATORS	22	638099-8						
638099-1 REELED FOR AMP APPLICATORS	18-20	638099-7						
1.6	1.80	2.04	1.45	0.90	2.40	2.30	22	638099-2
1.7	2.46	2.75	1.30	1.20	2.90	3.00	18-20	638099-1
H	F	E	D	C	B	A	WIRE SIZE	PART NUMBER

1 MATERIAL: 0.25 THK COPPER ALLOY
 2 FINISH: PLATE 0.00076 MIN THK SELECT GOLD IN LOCALIZED GOLD PLATE AREA AND PLATE 0.0025-0.0076 THK TIN IN LOCALIZED TIN PLATE AREA, ALL OVER 0.00200 MIN THK NICKEL.

THIS DRAWING IS A CONTROLLED DOCUMENT.

DWN	d. marpoe	4/18/94
CHK	C. PAUL	8/1/97
APVD	C. PAUL	8/1/97
PRODUCT SPEC		
APPLICATION SPEC		
114-6063		
WEIGHT		
CUSTOMER DRAWING		

TE Connectivity
 RECEPTACLE CONTACT, DUAL BEAM

SIZE	CAGE CODE	DRAWING NO	RESTRICTED TO
A2	00779	C-638099	-
SCALE	SHEET	REV	
4:1	1 OF 1	C	