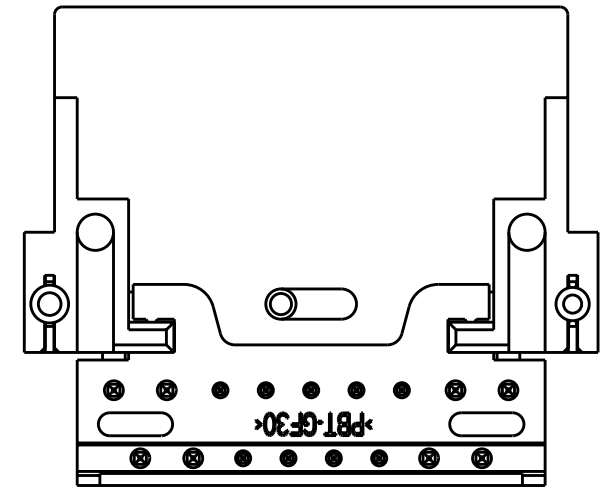
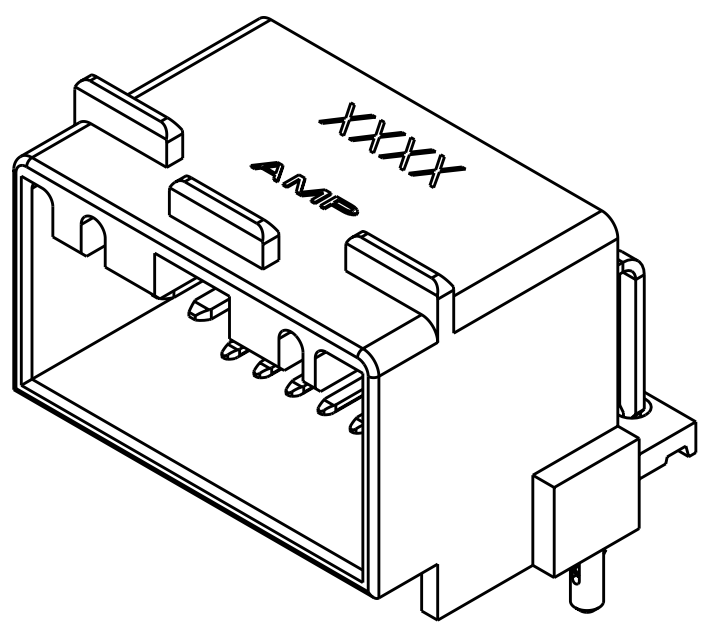
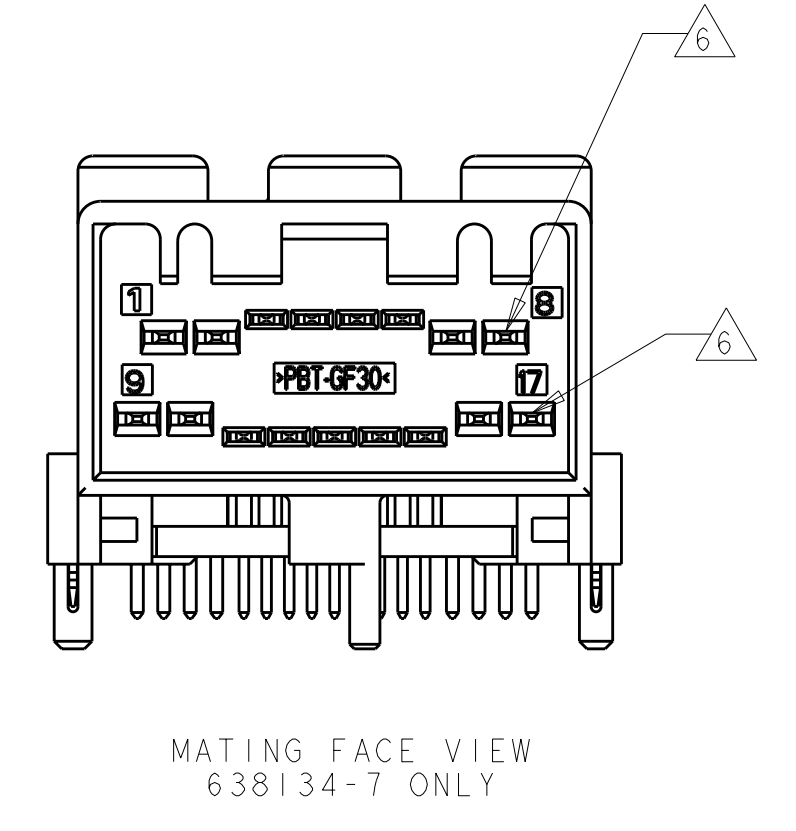
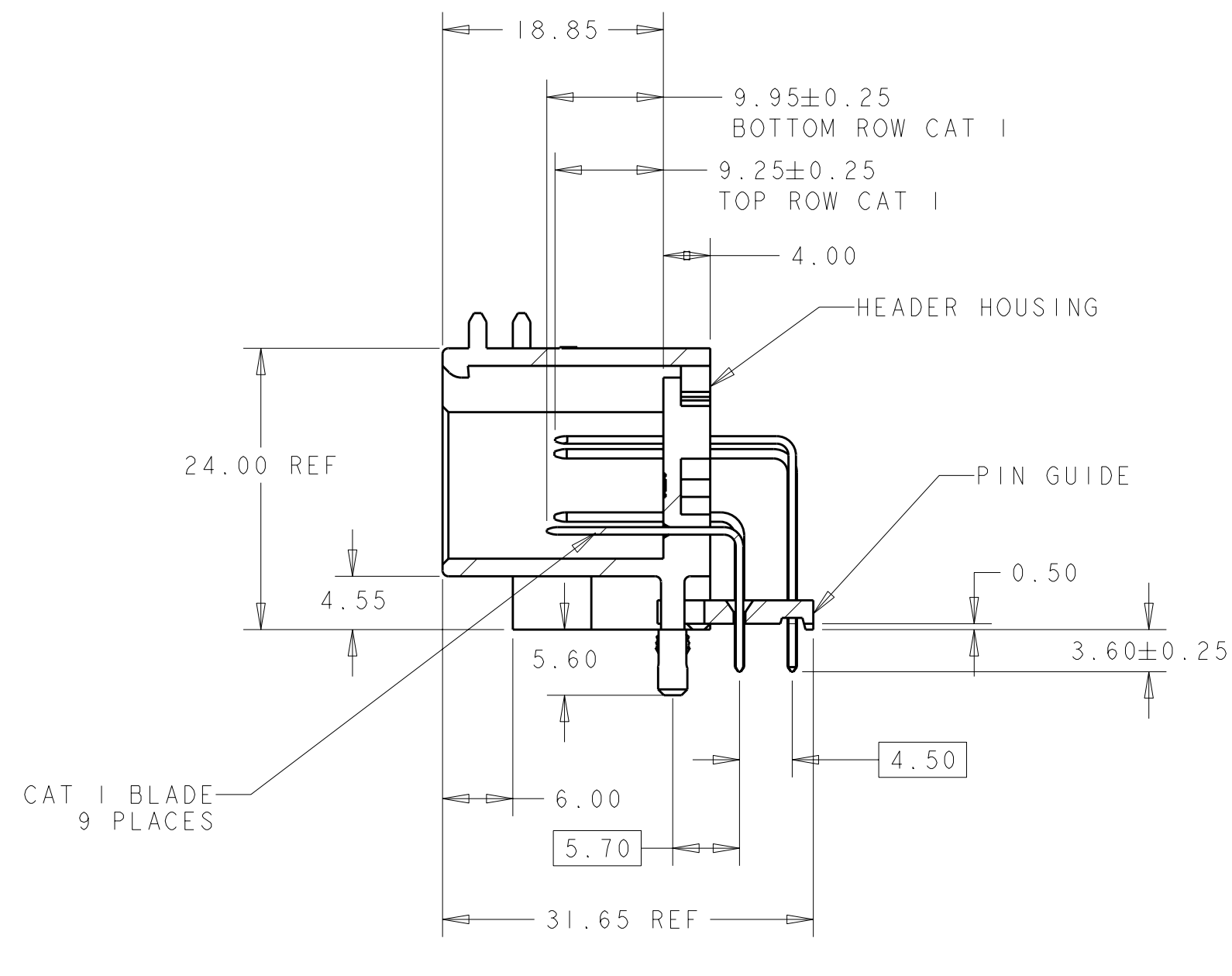
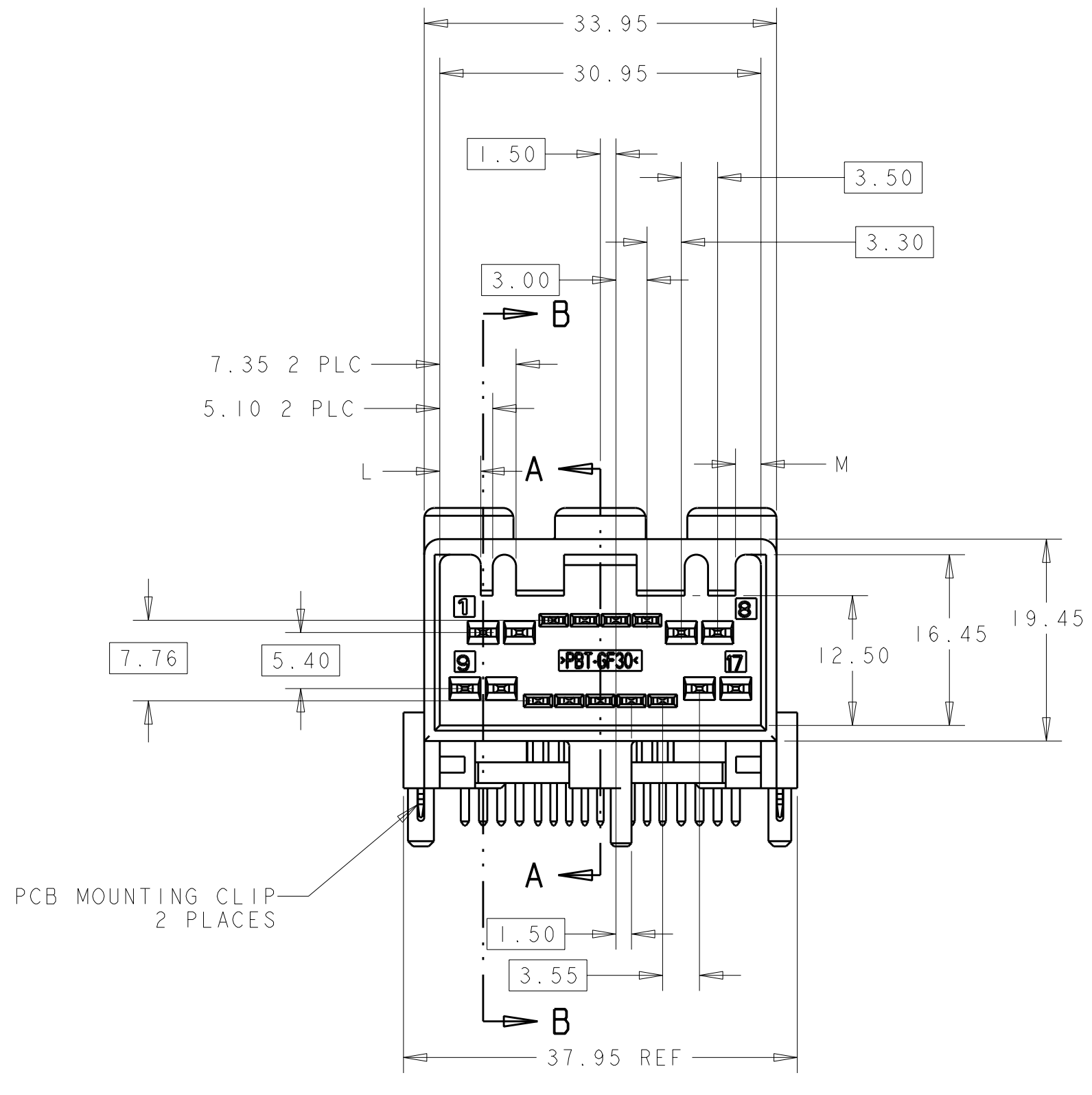
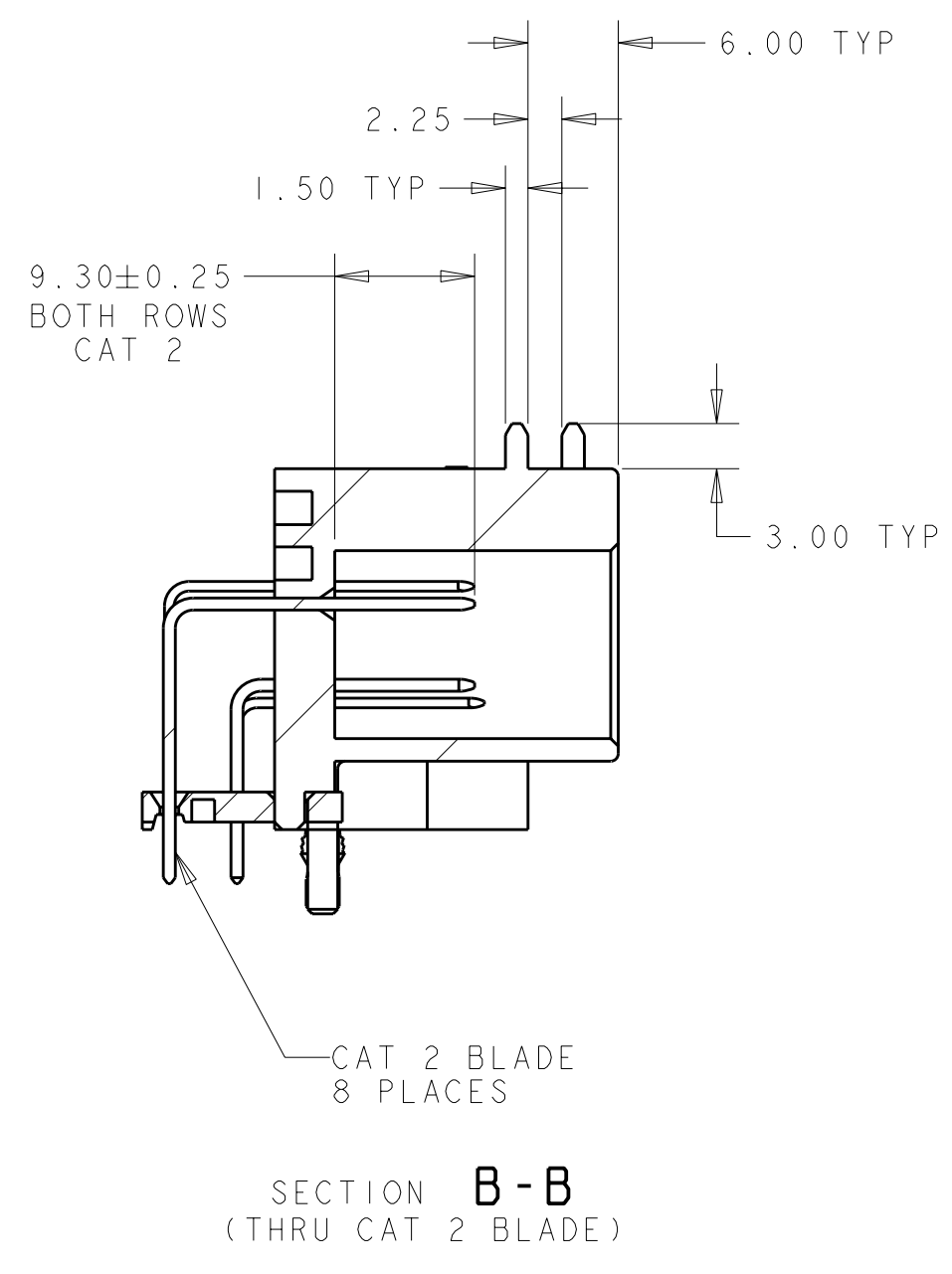
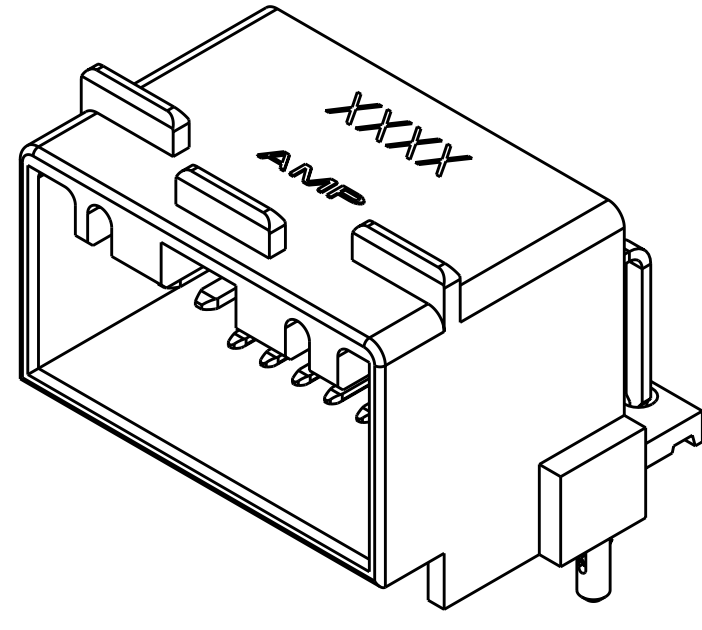


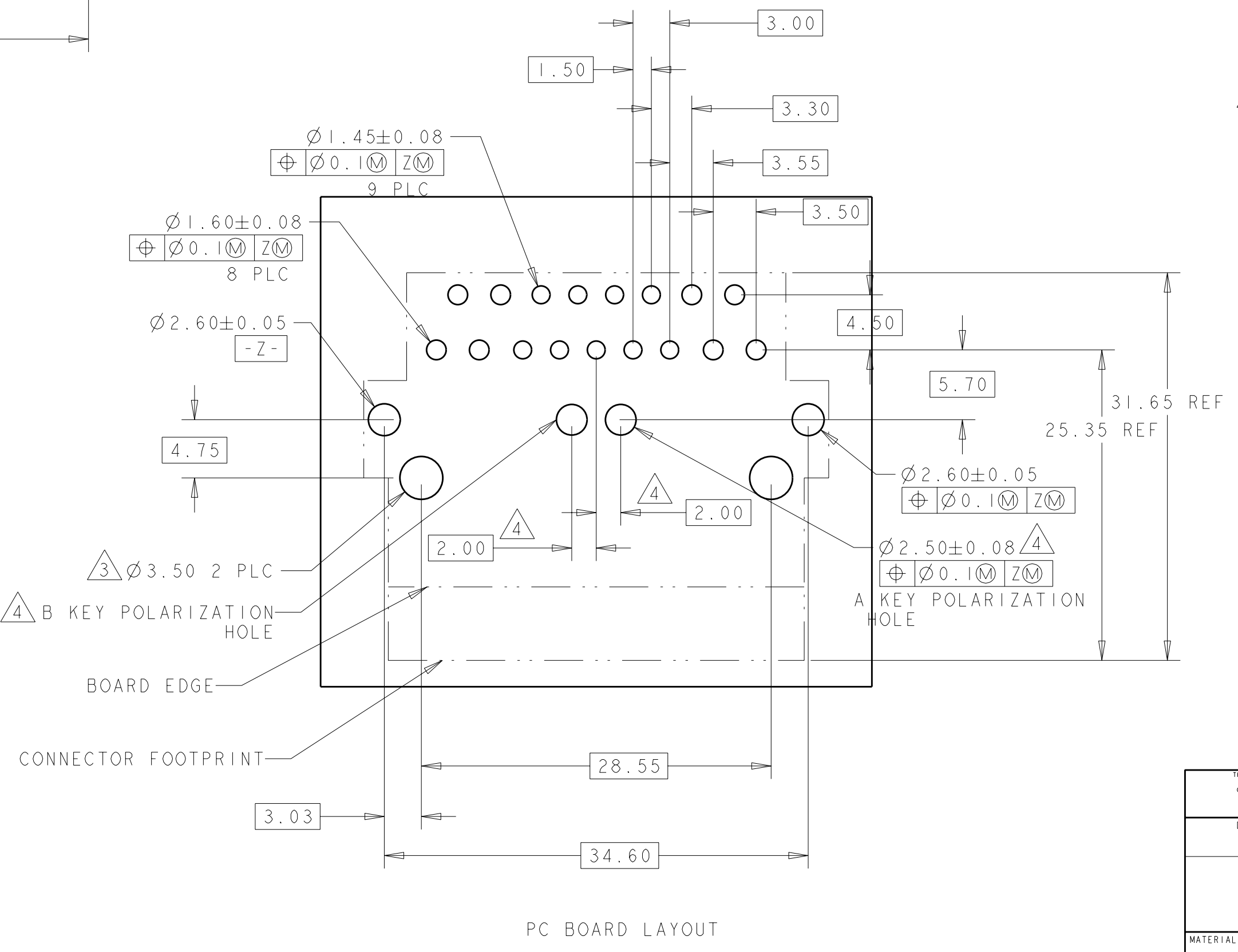
LOC	DIST	REVISIONS			
F	LTR	DESCRIPTION	DATE	DWN	APVD
C2		REV PER ECN 0K80-0181-03	23 MAY 2003	DJA	CBP
D		REV PER ECN 0K80-0188-03	09 JUN 2003	DJA	CBP
D1		REV PER ECR-05-018510	20 DEC 2005	JKM	JKM
D2		REV PER ECR-07-029647	10 JAN 2008	JM	JM



638134-4, -6  
KEY B  
SCALE 2:1



638134-3, -5, -7  
KEY A  
SCALE 2:1



- 1 MATERIAL: HEADER HOUSING - VALOX 508R, 30% GLASS, COLOR-SEE TABLE  
PIN GUIDE-VALOX 508R, 30% GLASS, COLOR-BLACK  
CAT 1 BLADES- 0.64 THK C260 BRASS, H04 TEMPER  
CAT 2 BLADES- 0.80 THK C260 BRASS, H04 TEMPER  
PCB MOUNTING CLIP- 0.57 THK C260 BRASS, H04 TEMPER
- 2 FINISH: BLADES- 0.00080-0.0016 THK MATTE TIN ON MATING END; 0.0038-0.0064 THK TIN ON SOLDER TAILS; ALL OVER 0.002 MIN THK NICKEL.  
PCB MOUNTING CLIP- 0.00381 MIN THK MATTE TIN OVER 0.00127 MIN THK NICKEL.
- 3 Ø3.50 HOLES USED FOR OPTIONAL MOUNTING SCREWS.
- 4 ONLY ONE HOLE TO BE PUT IN BOARD DEPENDENT ON HEADER POLARIZATION
- 5 638134-3 AND 638134-4: RETURNABLE PACKAGING  
638134-5, 638134-6 AND 638134-7: EXPENDABLE PACKAGING
- 6 FINISH: BLADES- 0.00038 MIN THK GOLD ON MATING END; 0.0038-0.0064 THK TIN ON SOLDER TAILS; ALL OVER 0.002 MIN THK NICKEL.  
PCB MOUNTING CLIP- 0.00203 - 0.00305 THK MATTE TIN OVER 0.00127 MIN THK NICKEL.  
(CAVITIES 8 AND 17 OF 638134-7 ONLY)

Y	A	3.95	2.45	BLACK	638134-7
Y	B	2.45	3.95	GRAY	638134-6
Y	A	3.95	2.45	BLACK	638134-5
Y	B	2.45	3.95	GRAY	638134-4
Y	A	3.95	2.45	BLACK	638134-3
					638134-2
					638134-1
					638134-1

<small>THIS DRAWING IS A CONTROLLED DOCUMENT FOR AMP INCORPORATED. ALL RIGHTS RESERVED. THE CONTROLLING ENGINEERING ORGANIZATION SHOULD BE CONTACTED FOR THE LATEST REVISION.</small>		DWN: J. MCNEAL 01-15-98 CHK: R. GRAY 01-15-98 APVD: R. GRAY 01-15-98	<b>AMP</b> Tyco Electronics Harrisburg, PA 17105-3608
DIMENSIONS: mm TOLERANCES UNLESS OTHERWISE SPECIFIED: 0 PLC ± 1 PLC ±0.2 2 PLC ±0.1 3 PLC ± 4 PLC ± ANGLES ±1°	PRODUCT SPEC APPLICATION SPEC WEIGHT CUSTOMER DRAWING	NAME: 17 POSITION RIGHT ANGLE HEADER ASSEMBLY SIZE: A1 CASE CODE: 00779 DRAWING NO: 638134 SCALE: 2:1 SHEET 1 OF 1 REV 02	