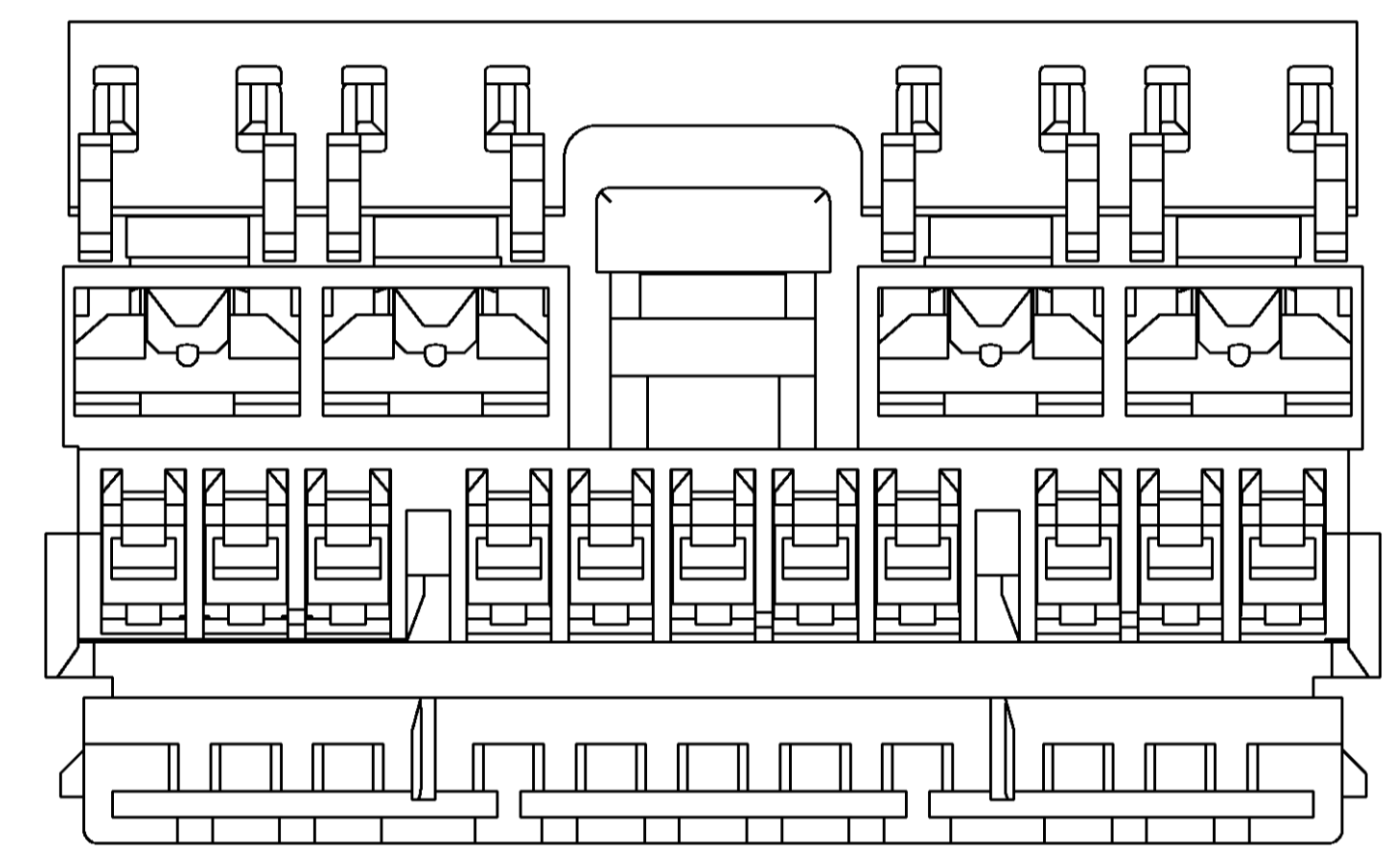
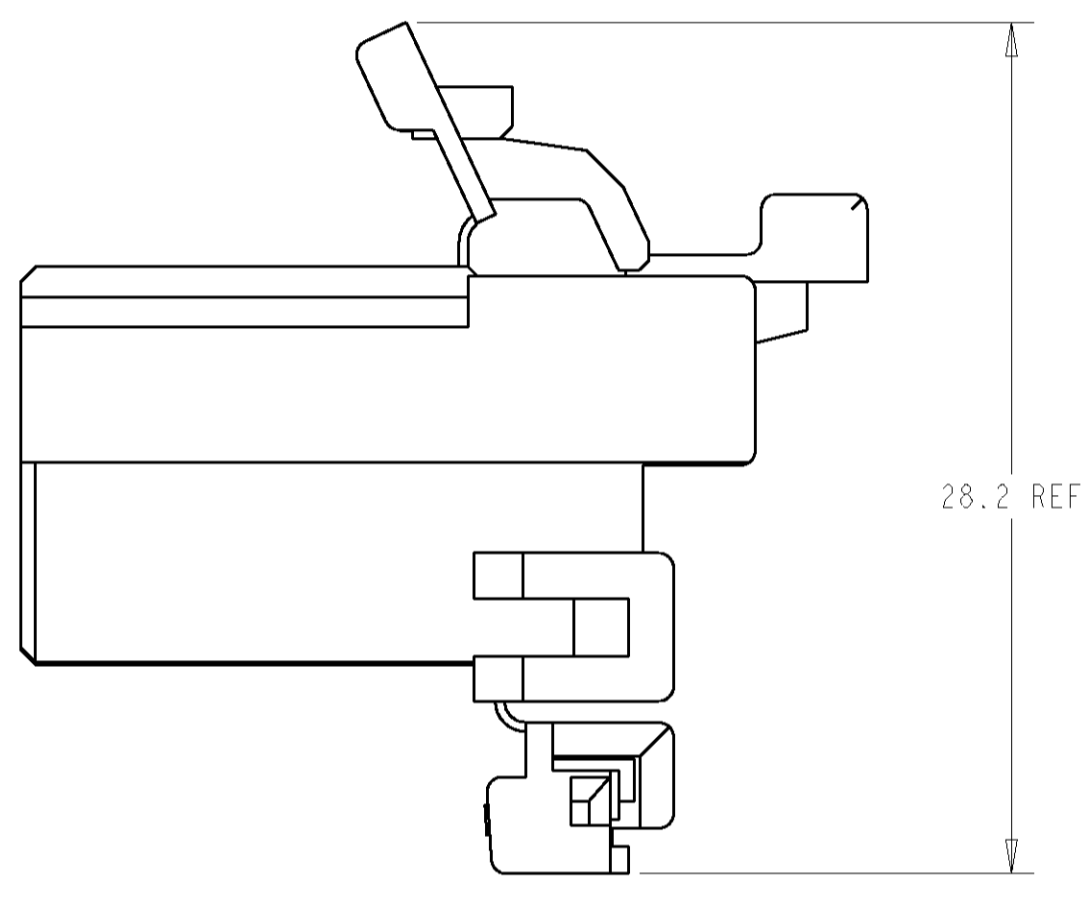
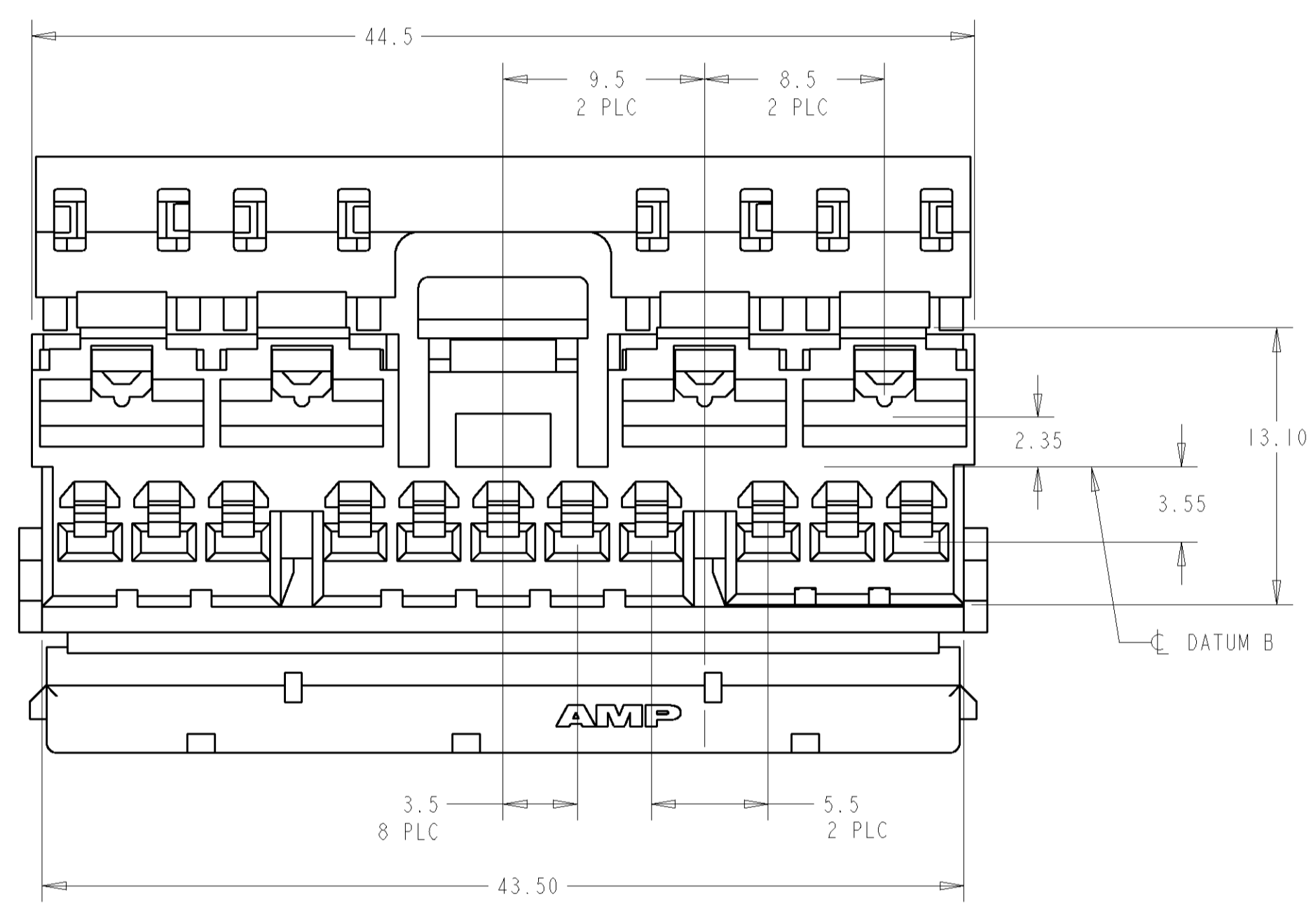
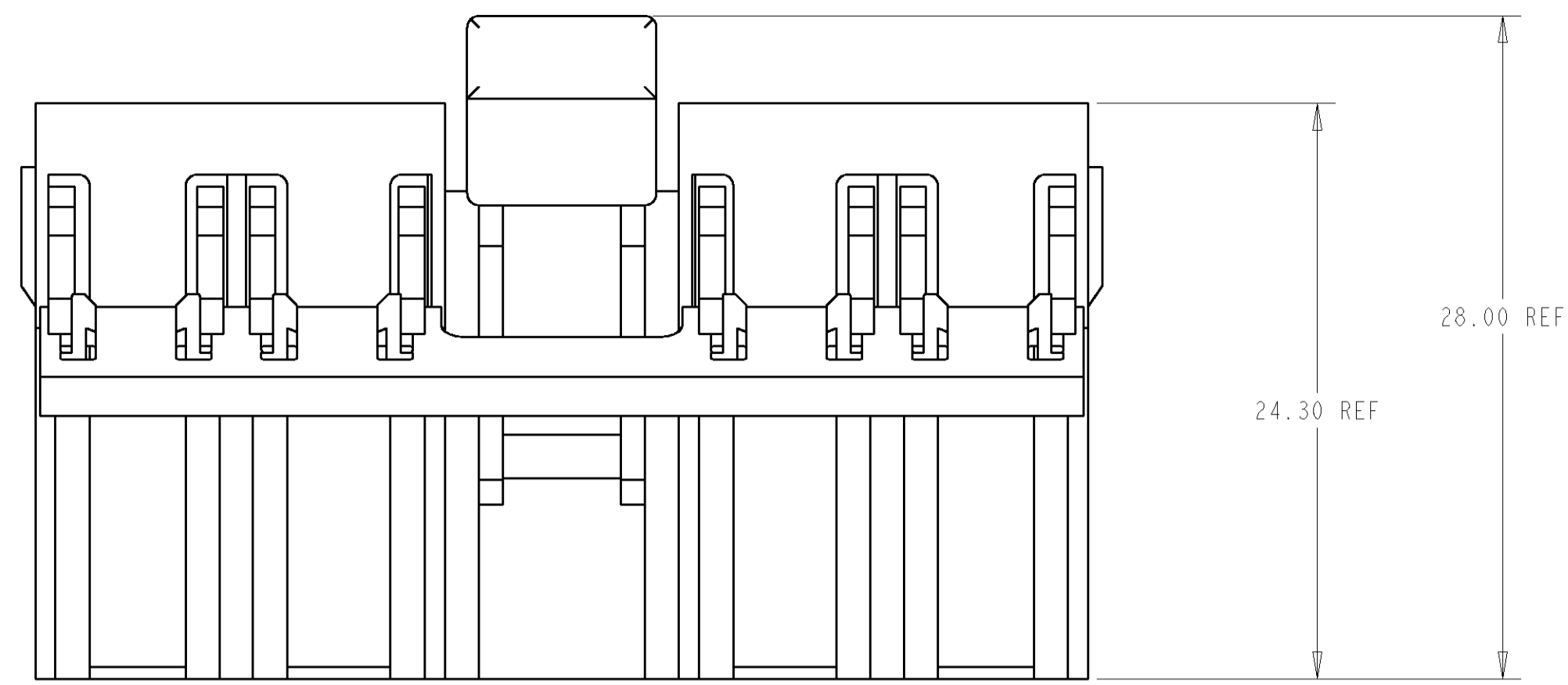


LOC	DIST	REVISIONS			
F	LTR	DESCRIPTION	DATE	DWN	APPD
C	0K80-0032-01		14MAR2001	JRB	SSA
D	0K80-0059-01		14MAR2001	JRB	SSA
E	0K80-0175-01		27JUL2001	JLM	SSA



- MATING CAP ASSEMBLY P/N: 776197-1
- TO BE USED WITH TIN PLATED FEMALE TERMINALS FOUND ON THE FOLLOWING DRAWINGS:
 250 TERMINALS- 170032 & 170258
 070 TERMINALS- 173631 & 776129

638193-1
PART NUMBER

<small>THIS DRAWING IS UNPUBLISHED. RELEASED FOR PUBLICATION. ALL RIGHTS RESERVED. ANY REVISIONS TO THIS DRAWING MUST BE CONTROLLED BY THE DRAWING CONTROL SYSTEM. ORGANIZATION SHOULD BE CONTACTED FOR THE LATEST REVISION.</small>		DWN: <i>d.marpoe</i> 02OCT98 CRD: <i>S.KROEGER</i> 02OCT98 APPD: <i>S.KROEGER</i> 02OCT98	AMP AMP Incorporated Harrisburg, PA 17105-3608
DIMENSIONS: mm	TOLERANCES UNLESS OTHERWISE SPECIFIED: 0 PLC ± 1 PLC ±0.2 2 PLC ±0.15 3 PLC ± 4 PLC ± ANGLES ±1° FINISH -	PRODUCT SPEC APPLICATION SPEC WEIGHT - CUSTOMER DRAWING	NAME: 070/250 PLUG HOUSING SIZE: A1 CAGE CODE: 00779 DRAWING NO: 638193 SCALE: 4:1 SHEET 1 OF 1 REV F