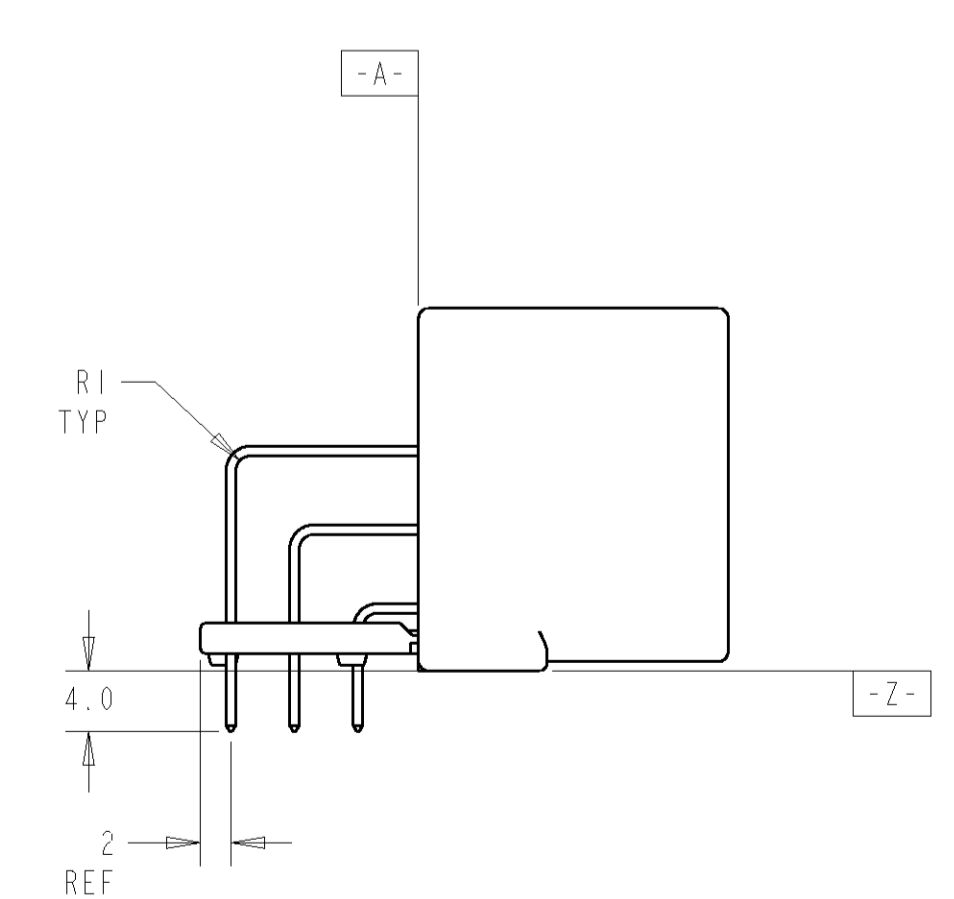
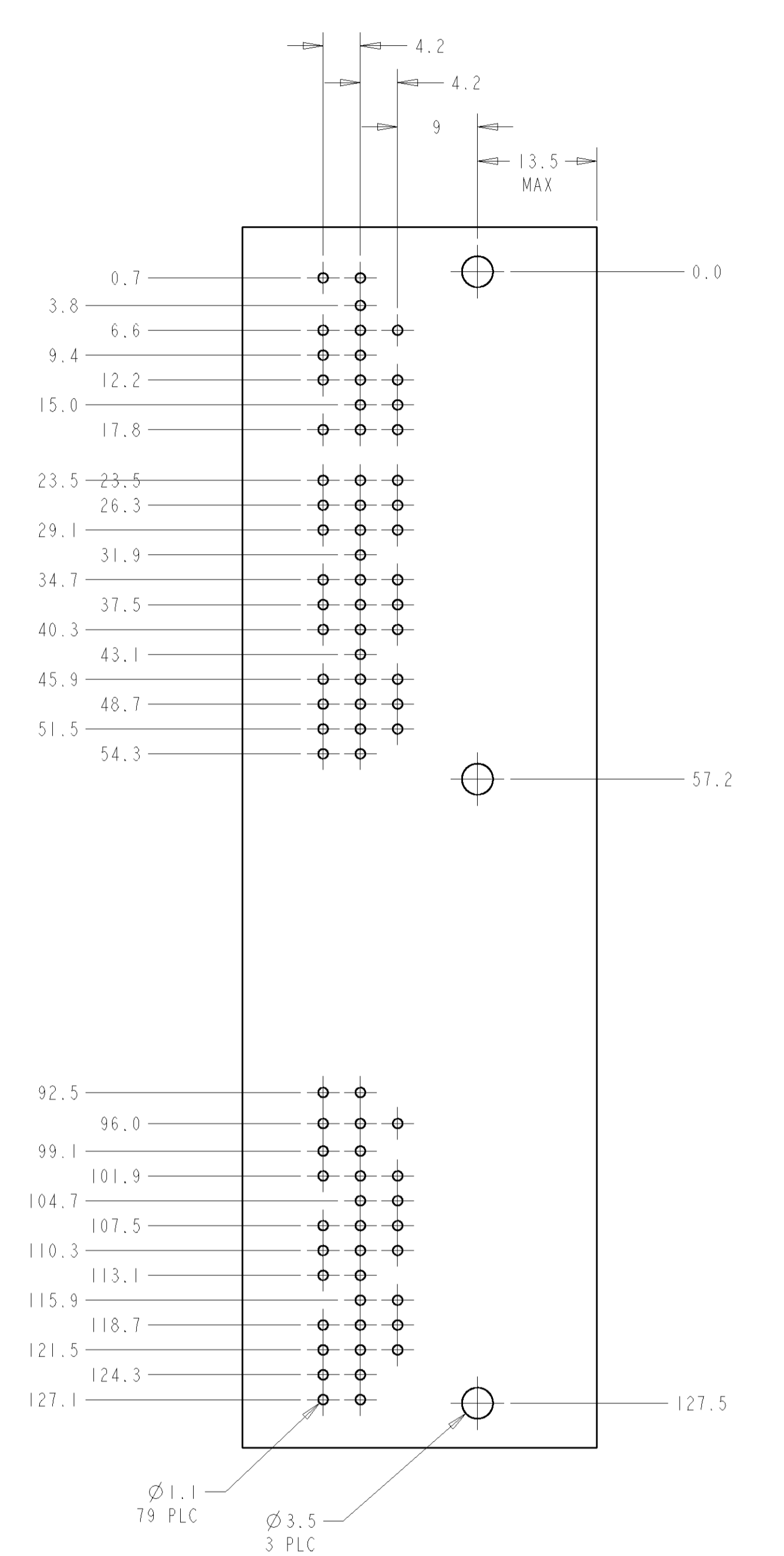
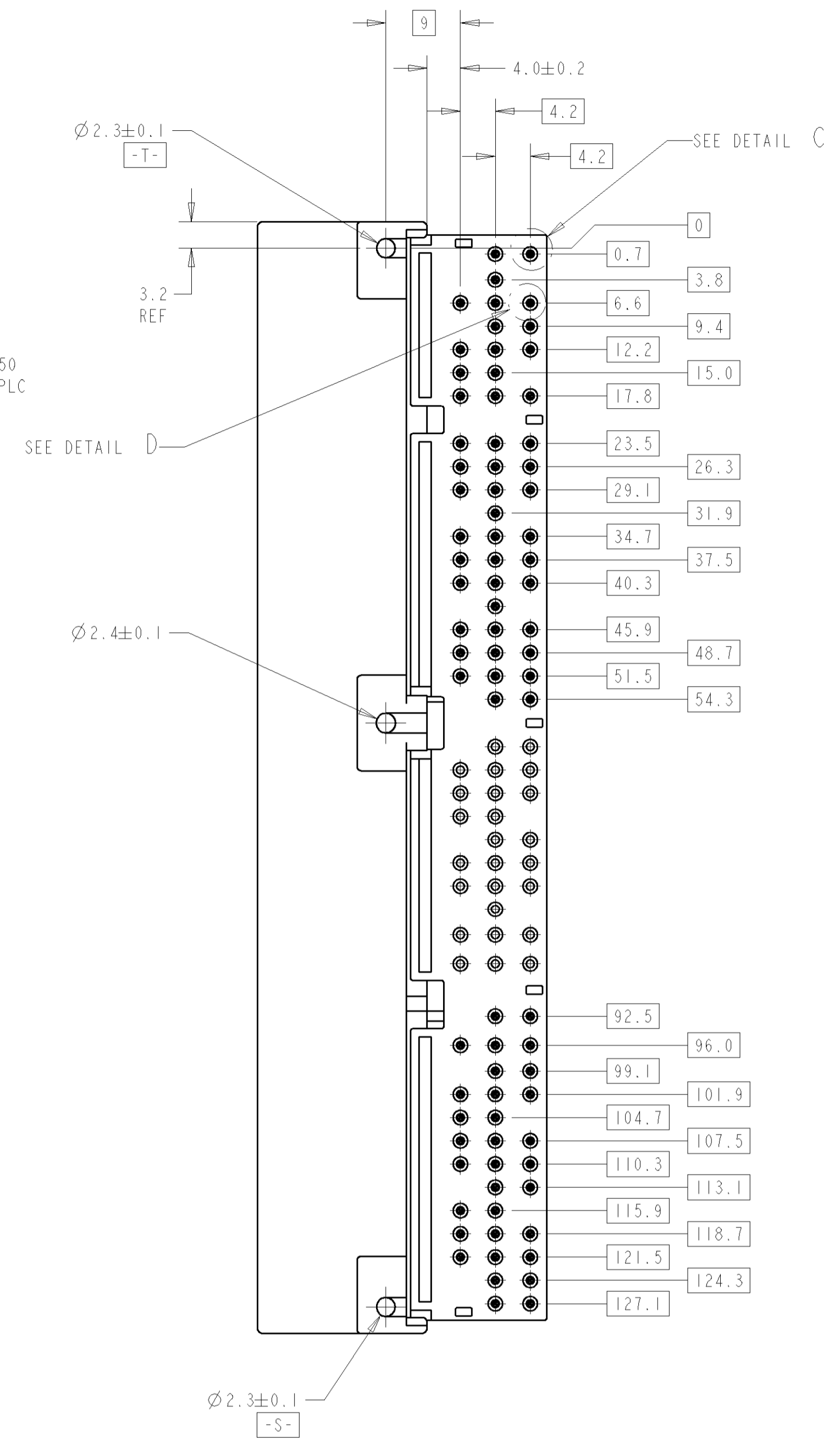
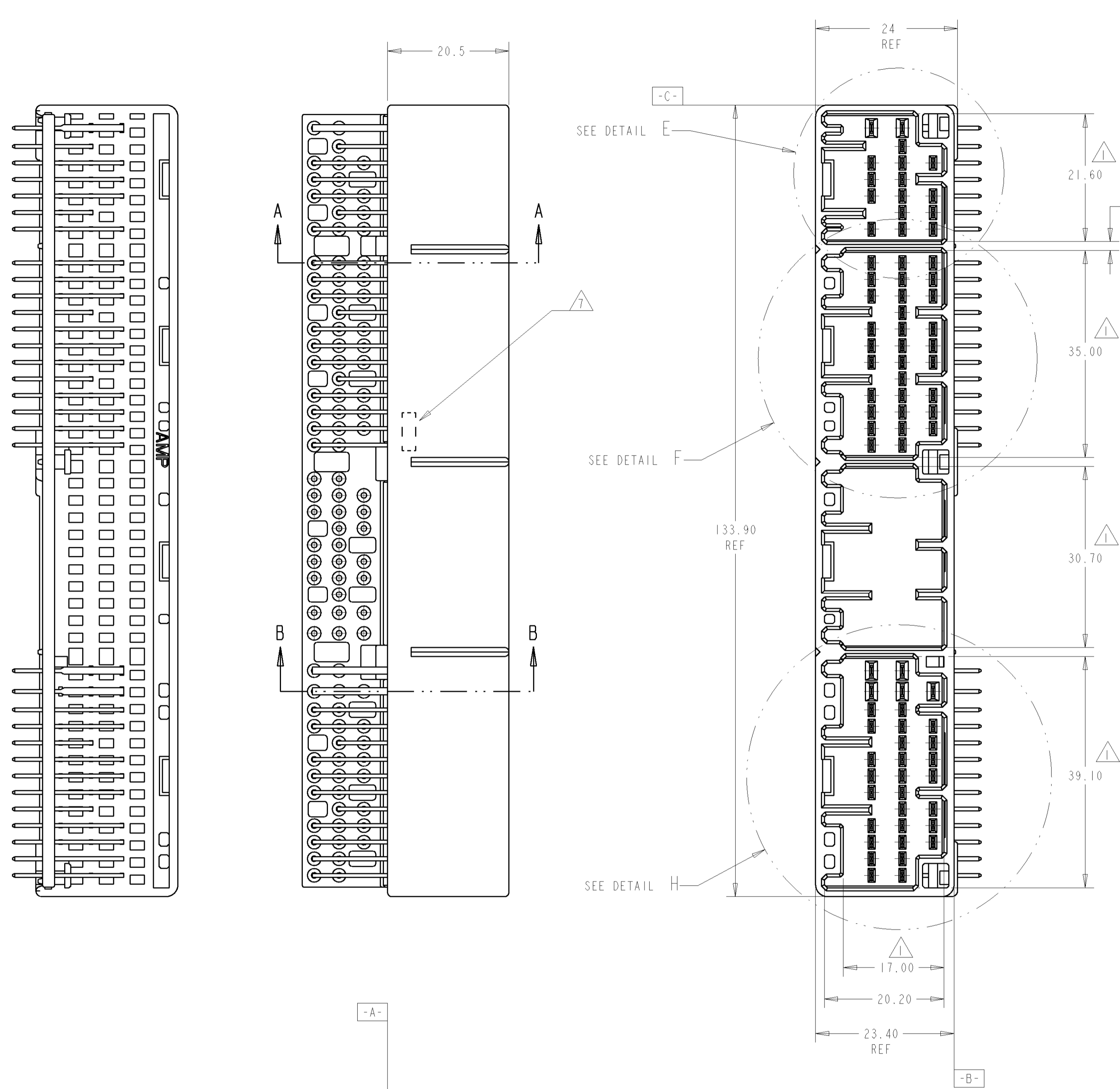


| LOC | DIST | REVISIONS | | | |
|-----|------|--------------------------|-----------|-----|------|
| F | LTR | DESCRIPTION | DATE | DWN | APPR |
| 0 | | REL PER ECN 0K80-0062-00 | 28MAR2000 | JRB | RAS |



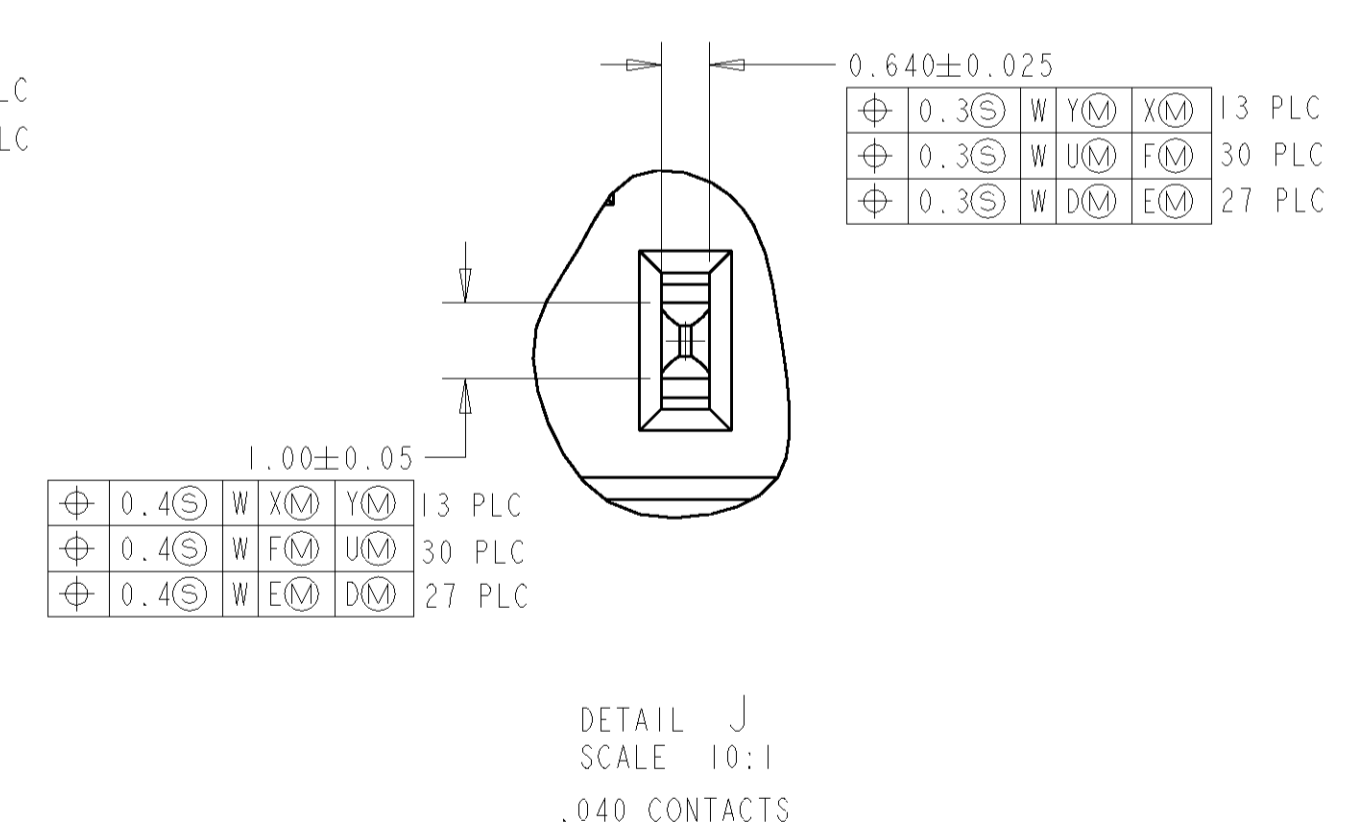
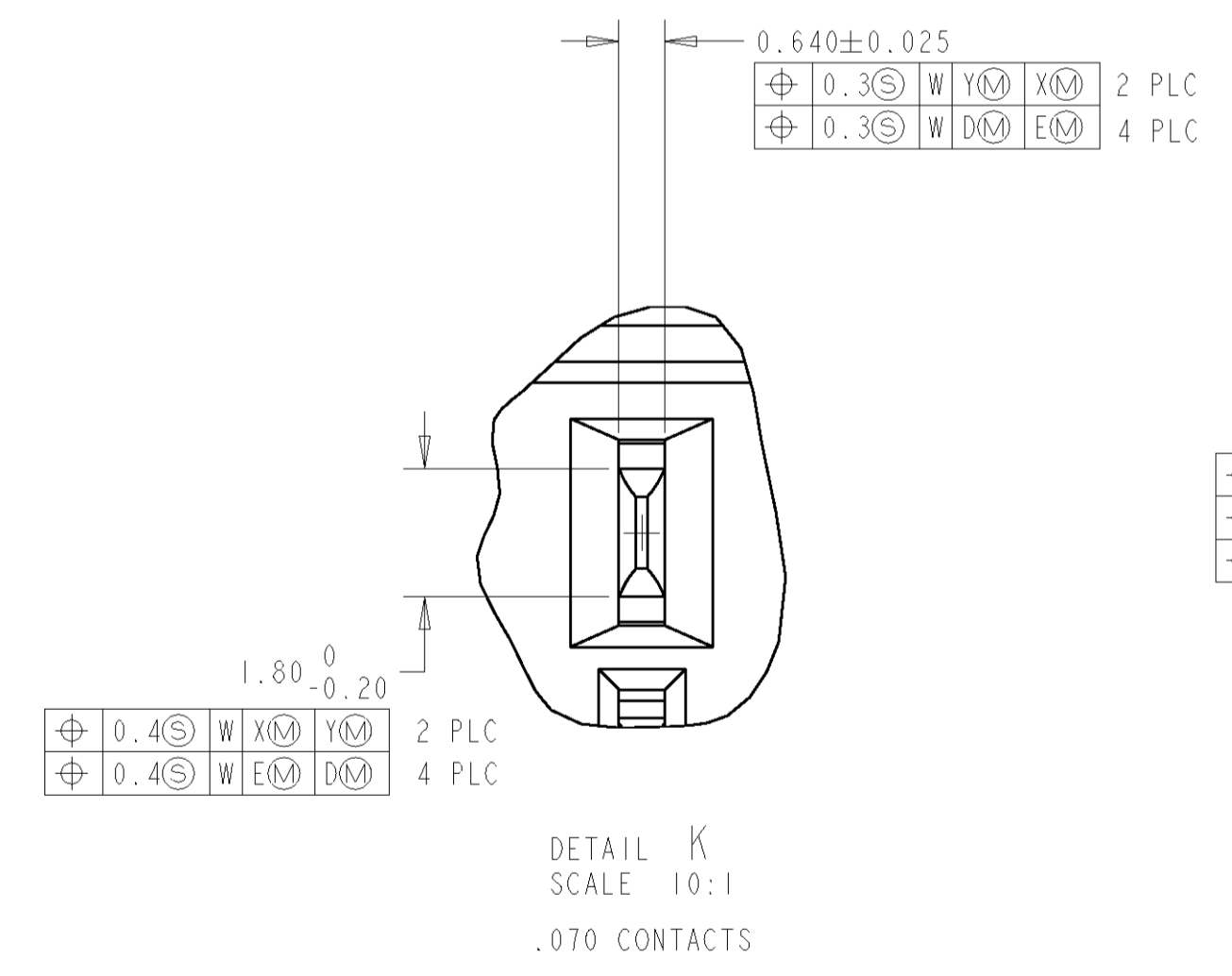
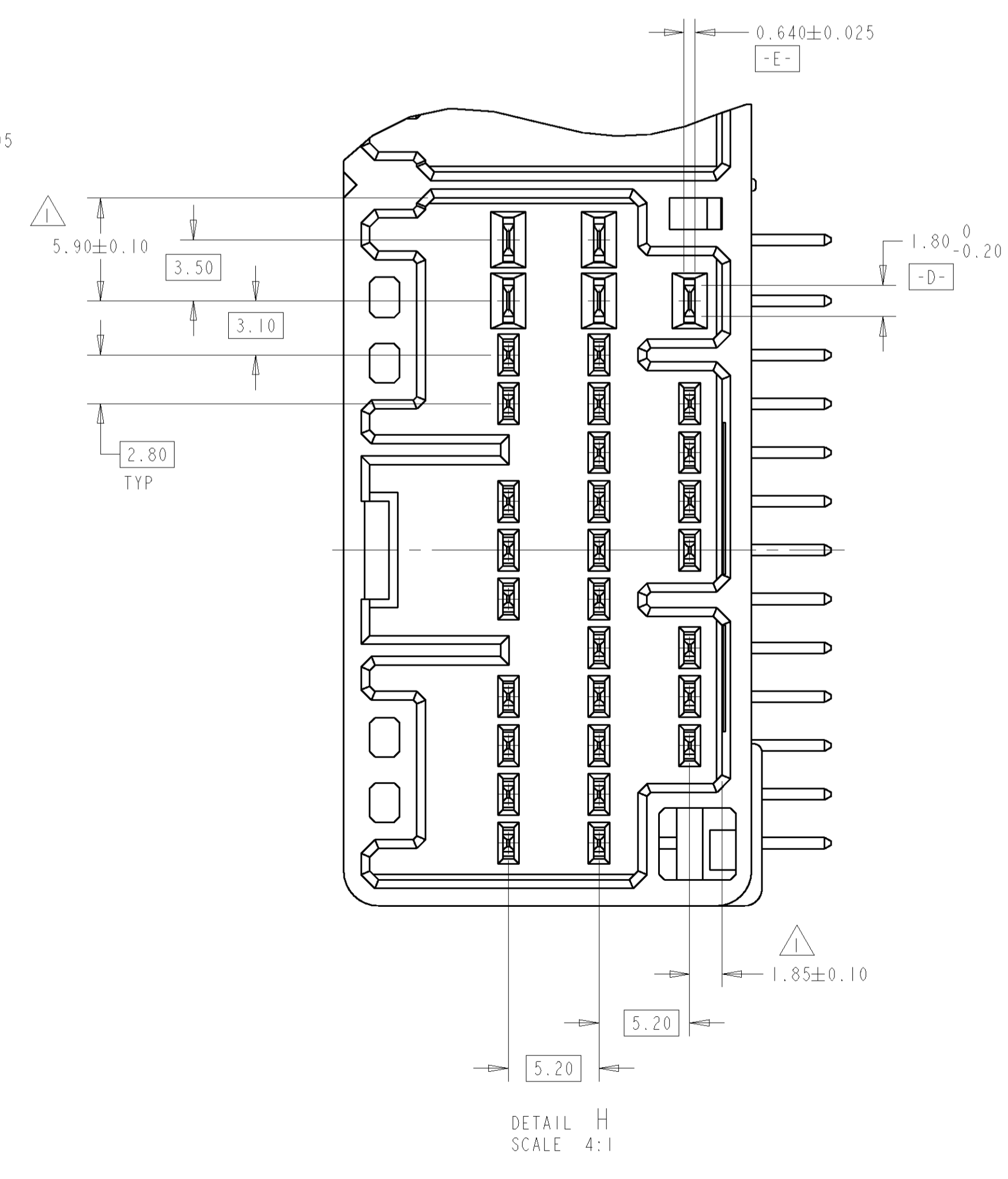
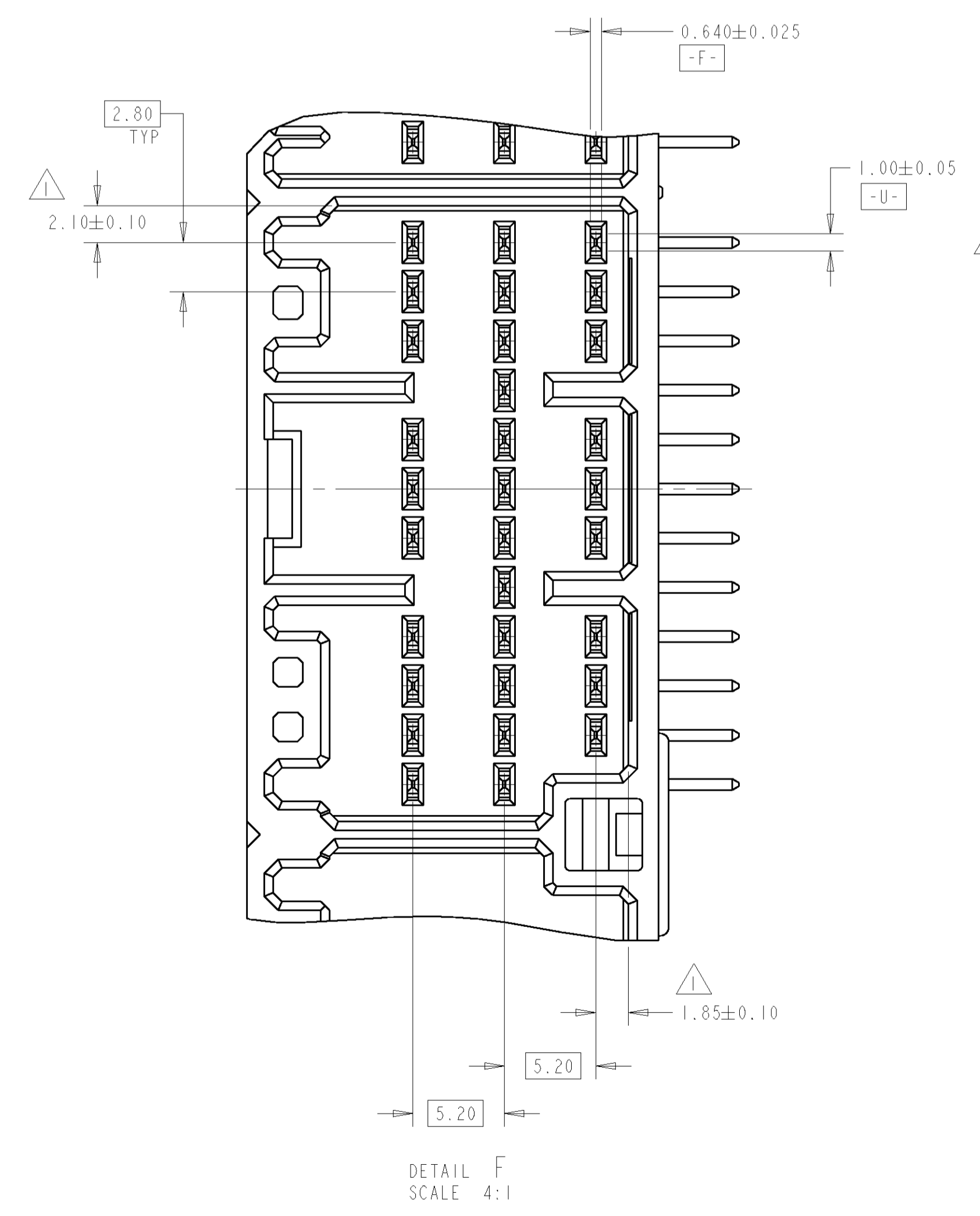
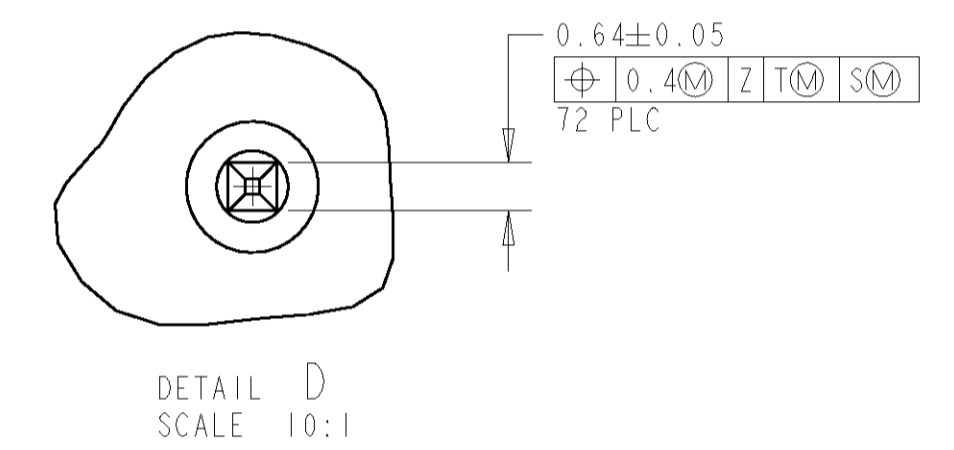
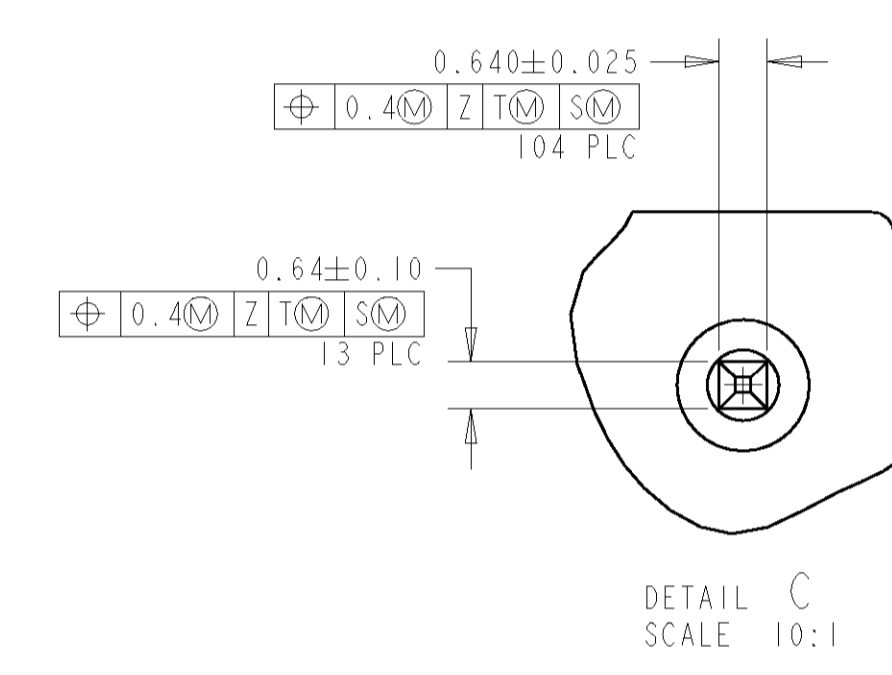
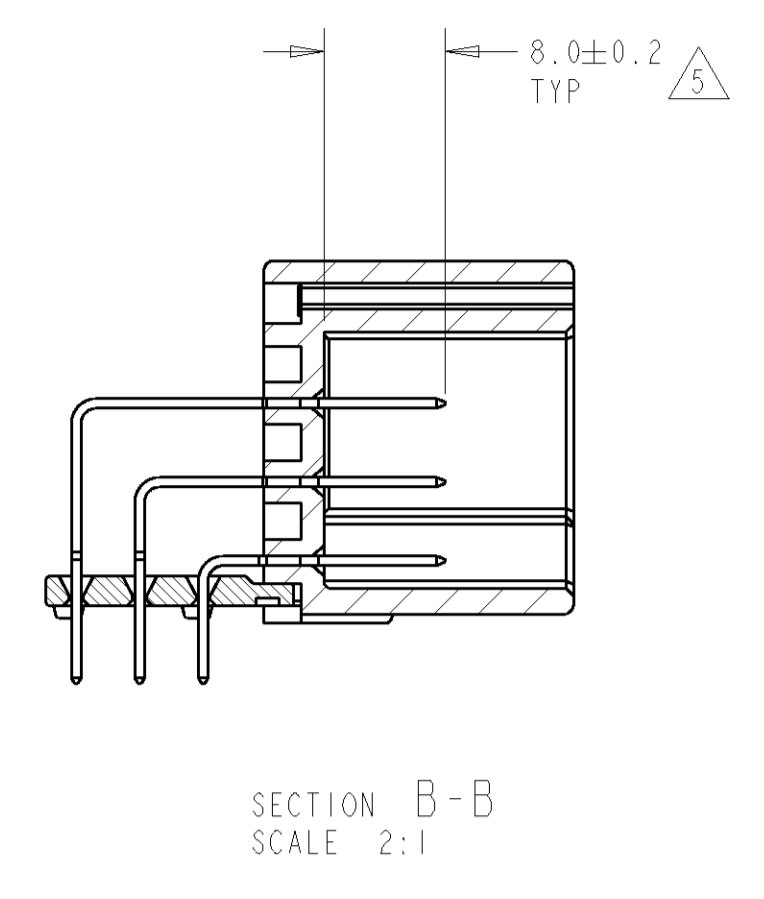
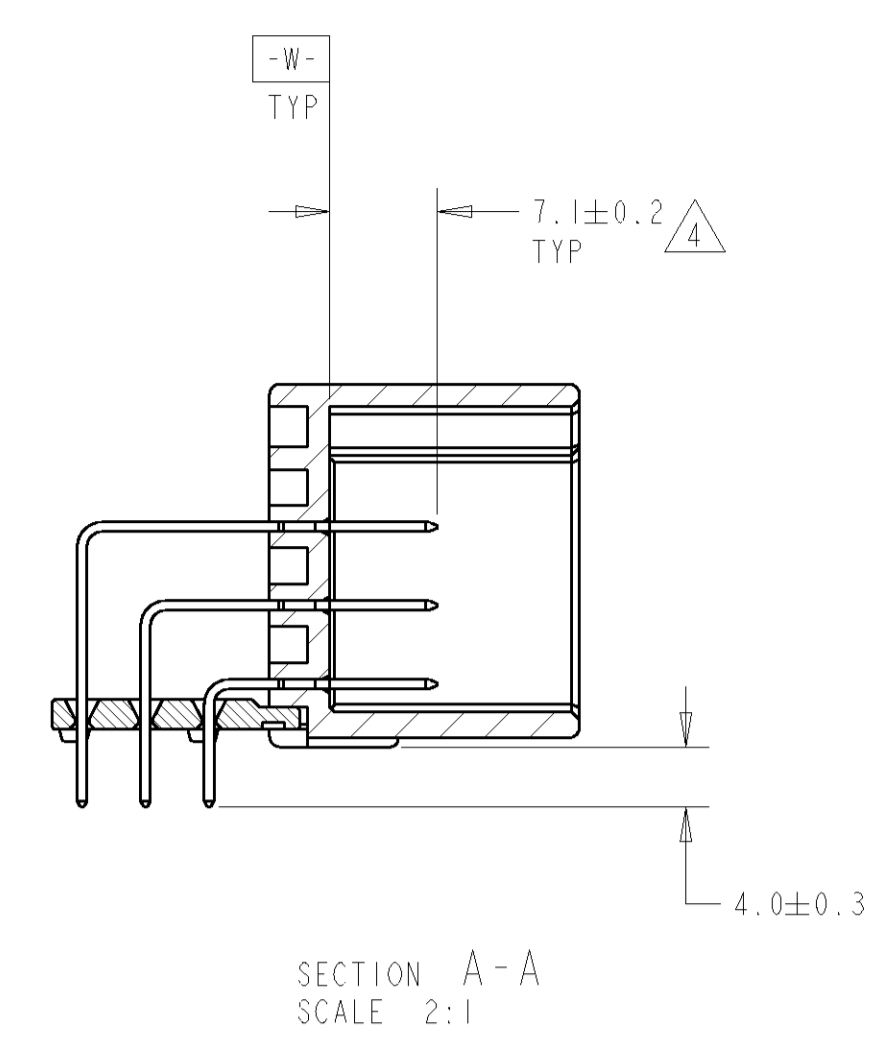
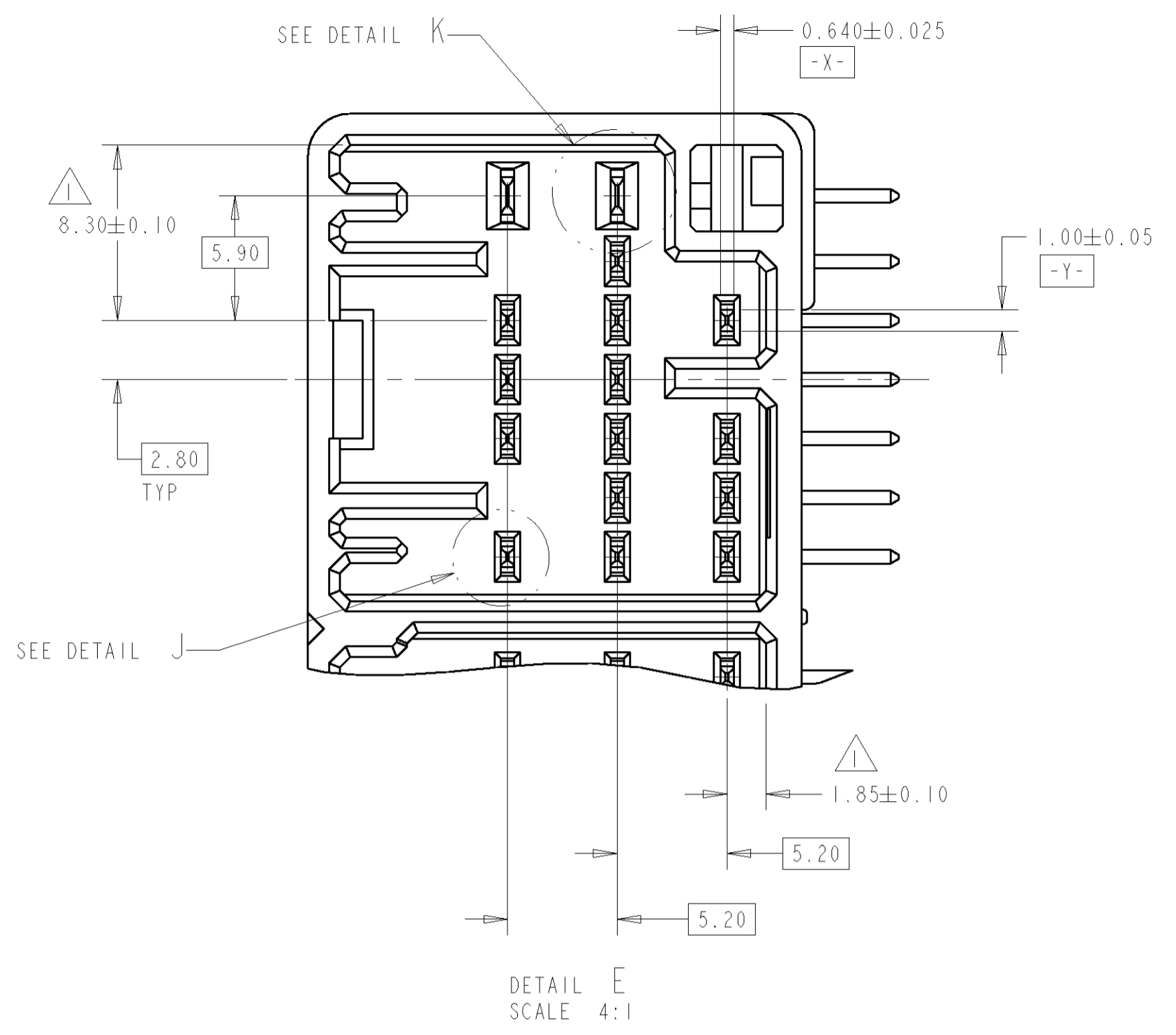
- RECOMMENDED MOUNTING DIMENSIONS FOR PC BOARD
 TOLERANCES: ± 0.1
- TO BE MEASURED BETWEEN [-W-] AND 2.00MM
 - MATING PLUG HOUSING PART NUMBERS: 179678, 179679, 179681, 179678, 179680, 179681
 - RECOMMENDED MOUNTING SCREW: 3MM DIA, 6MM LG MAX. PAN HD, CLASS 2 TAPPING SCREW SPECIFIED IN JIS B1115, B1112 TIGHTENING TORQUE: 0.4Nm (4Kg-cm) MAX.
 - FOR .040 TABS
 - FOR .070 TABS
 - MATING FINISH: .040 TABS - GOLD
.070 TABS - PREPLATED TIN
 - DATE CODE BY HOT STAMP
 - THIS PRODUCT IS PACKAGED IN RETURNABLE PACKAGING

| | |
|---------------|-------------|
| GRAY | 179684-6 |
| HOUSING COLOR | PART NUMBER |

| | | | |
|---|---|--|---|
| <small>THIS DRAWING IS UNPUBLISHED. RELEASED FOR PUBLICATION. ALL RIGHTS RESERVED. ANY REVISIONS TO THIS DRAWING MUST BE CONTROLLED BY THE DRAWING OFFICE. UNLESS OTHERWISE SPECIFIED, DIMENSIONS ARE IN MILLIMETERS.</small> | | DWN: JRB BUSSARD 28MAR2000 CDR: R SMITH 28MAR2000 APD: R SMITH 28MAR2000 | NAME: ASSY, CAP HOUSING, 79 POSN 04011/07011 HD HYBRID I/O CONNECTOR |
| DIMENSIONS: mm TOLERANCES UNLESS OTHERWISE SPECIFIED: 0 PLC ± 0.15 1 PLC ± 0.15 2 PLC ± 0.15 3 PLC ± 0.15 4 PLC ± 0.15 ANGLES: \pm | PRODUCT SPEC: 108-5441 APPLICATION SPEC: N/A | AMP Incorporated Harrisburg, PA 17105-3608 | DRAWING NO: 638248 SCALE: 2:1 |
| MATERIAL: HOUSING: PBT CONTACT: BRASS | WEIGHT: 47.50 GRAM CUSTOMER DRAWING | SIZE: A1 CAGE CODE: 00779 | SHEET 1 OF 2 REV 0 |

| LOC | DIST | REV | DATE | BY | APPD |
|-----|------|-----|------|----|------|
| FX | 55 | | | | |

| REVISIONS | | DATE | BY | APPD |
|-----------|-------------|------|----|------|
| - | SEE SHEET 1 | - | - | - |



| | | | |
|--|--|---|---|
| <small>THIS DRAWING IS UNPUBLISHED. RELEASED FOR PUBLICATION. ALL RIGHTS RESERVED. ANY REVISIONS TO THIS DRAWING MUST BE CONTROLLED BY THE DRAWING REVISIONS CONTROL SYSTEM. ANY REVISIONS TO THIS DRAWING MUST BE CONTROLLED BY THE DRAWING REVISIONS CONTROL SYSTEM.</small> | | DWN: JR BUSSARD Z8MARZ000 CDR: R SMITH Z8MARZ000 APD: R SMITH Z8MARZ000 | AMP AMP Incorporated Harrisburg, PA 17105-3608 |
| DIMENSIONS: mm | | TOLERANCES UNLESS OTHERWISE SPECIFIED: 0 PLC ±0.15 1 PLC ±0.15 2 PLC ±0.15 3 PLC ± 4 PLC ± ANGLES ±1° FINISH | NAME: ASSY, CAP HOUSING, 79 POSN 04011/07011 HD HYBRID I/O CONNECTOR PRODUCT SPEC: APPLICATION SPEC: SIZE: A1 CAGE CODE: 00779 DRAWING NO: 638248 |
| MATERIAL: | | WEIGHT: | CUSTOMER DRAWING: SCALE 2:1 SHEET 2 OF 2 REV 0 |