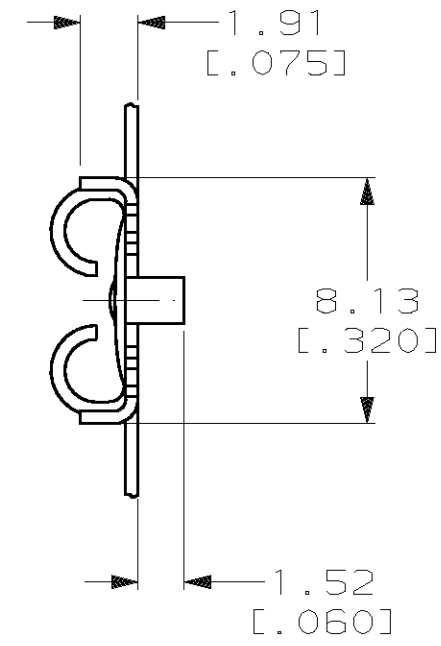
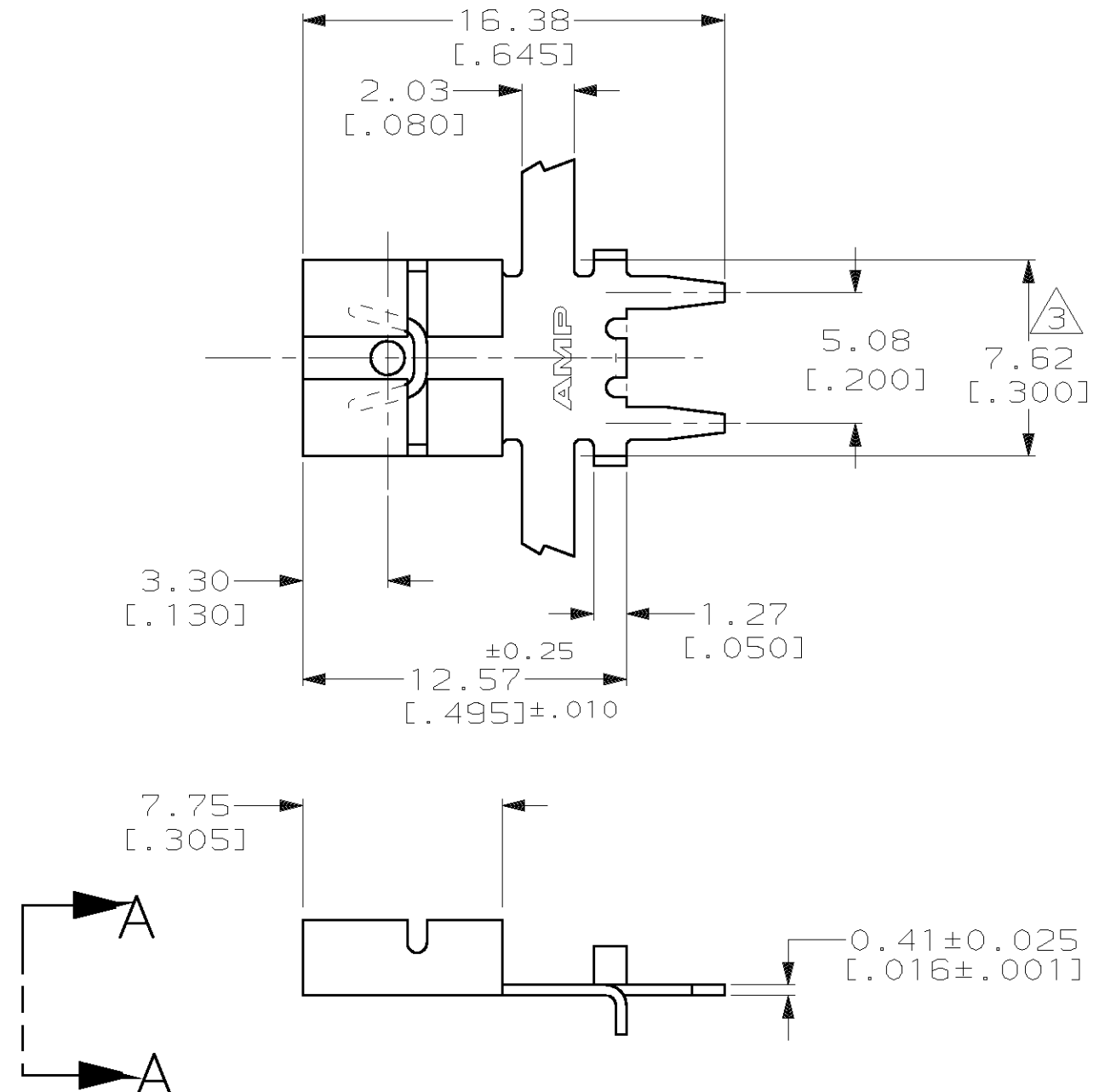
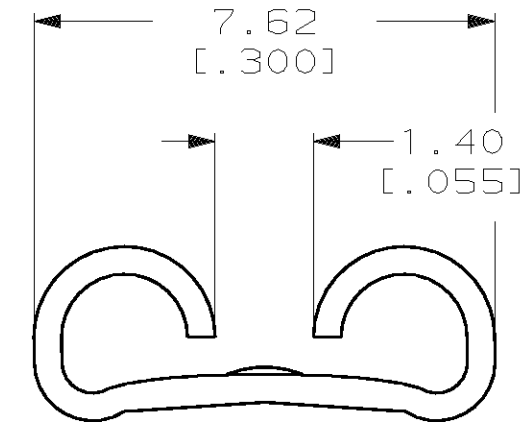


THIS DRAWING IS UNPUBLISHED. RELEASED FOR PUBLICATION, 19
 © COPYRIGHT 19 BY AMP INCORPORATED. ALL INTERNATIONAL RIGHTS RESERVED.

LOC	DIST	P	F	REVISIONS				
AF	50			ZONE	LTR	DESCRIPTION	DATE	APPD
					C	REACT PER 0G3A-0627-01	15NOV01	JR/PD



- 1 CONTINUOUS STRIP ON REELS.
- 2 0.00254 [.000100] MIN THK TIN OVER 0.00254 [.000100] MIN THK COPPER.
- 3 MAX CUT-OFF DIMENSION FOR CUSTOMER INFO.



VIEW A-A
SCALE 8:1

63826-1
PART NO

THIS DRAWING IS A CONTROLLED DOCUMENT FOR AMP INCORPORATED. IT IS SUBJECT TO CHANGE AND THE CONTROLLING ENGINEERING ORGANIZATION SHOULD BE CONTACTED FOR THE LATEST REVISION.

DO NOT SCALE PRINT. UNLESS SPECIFIED DIMENSIONS IN mm [INCHES] TOLERANCES ON: 2 PLC DEC ± 0.25 [.010] 3 PLC DEC ± - ANGLES ± -		DR 1/18/95 JR RUTH	AMP AMP Incorporated Harrisburg, PA 17105-3608
MATERIAL H04 BRASS		CHK 1/18/95 MS FEHER	
FINISH TIN OVER COPPER		APPD 1/18/95 P DESANTIS	NAME RECEPTACLE, FASTON, 6.35 [.250] SERIES, PC BOARD MOUNTED
		APPD 1/18/95 R REINER	SIZE B CAGE CODE 00779 DRAWING NO C -63826
		PRODUCT SPEC -	SCALE 4:1 SHEET 1 OF 1
		APPLICATION SPEC -	
		WEIGHT -	