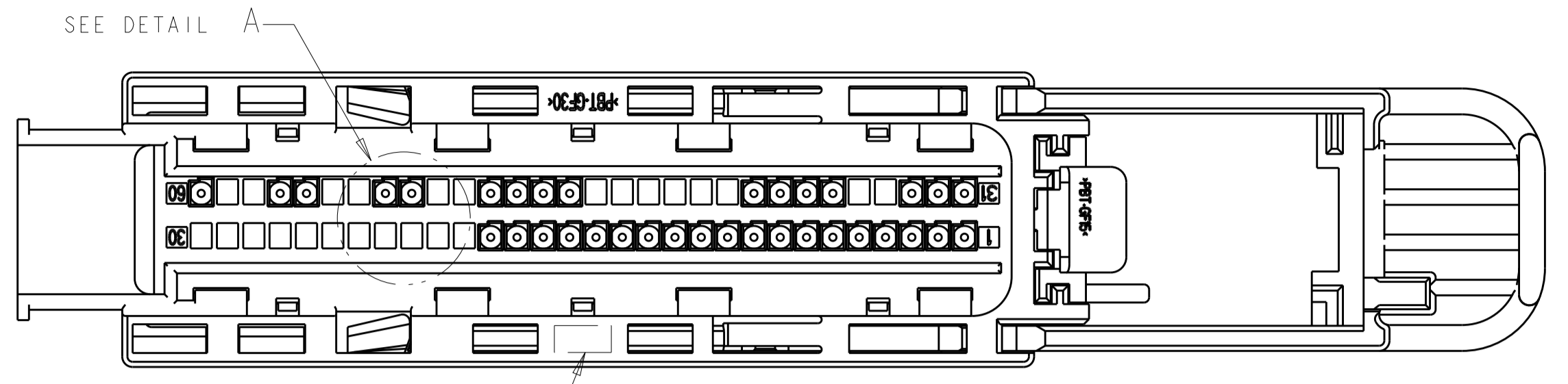
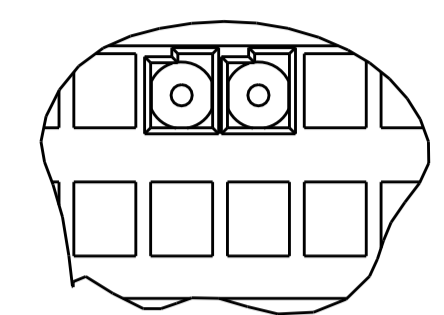


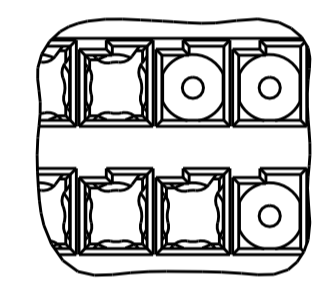
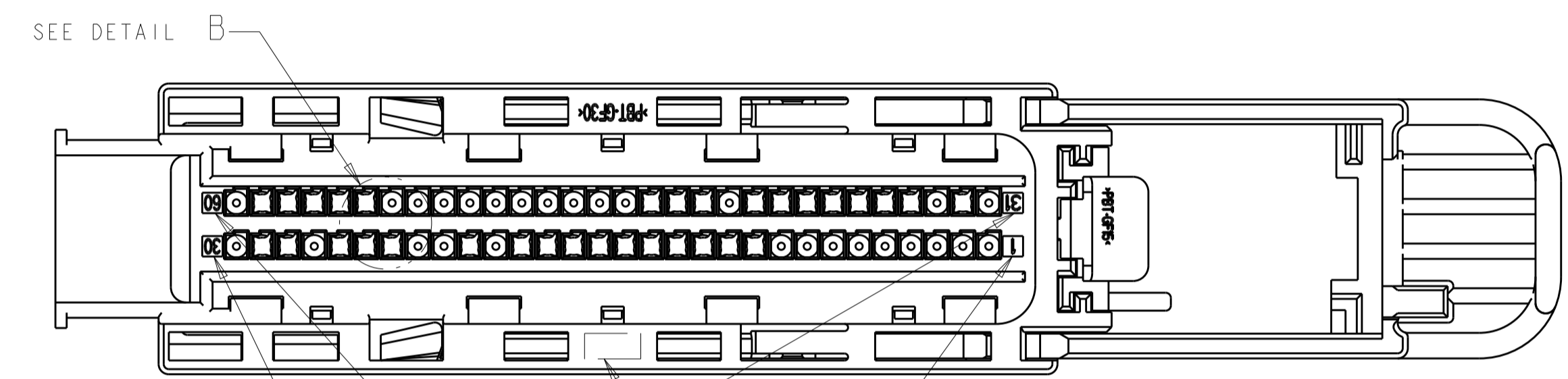
REVISIONS				
P.	LTN.	DESCRIPTION	DATE	APPROV.
BA3		REVISED PER ECO-15-004852	27MAR2015	DLD DLD
BA4		REVISED PER ECO-20-012412	08SEP2020	AP HDC



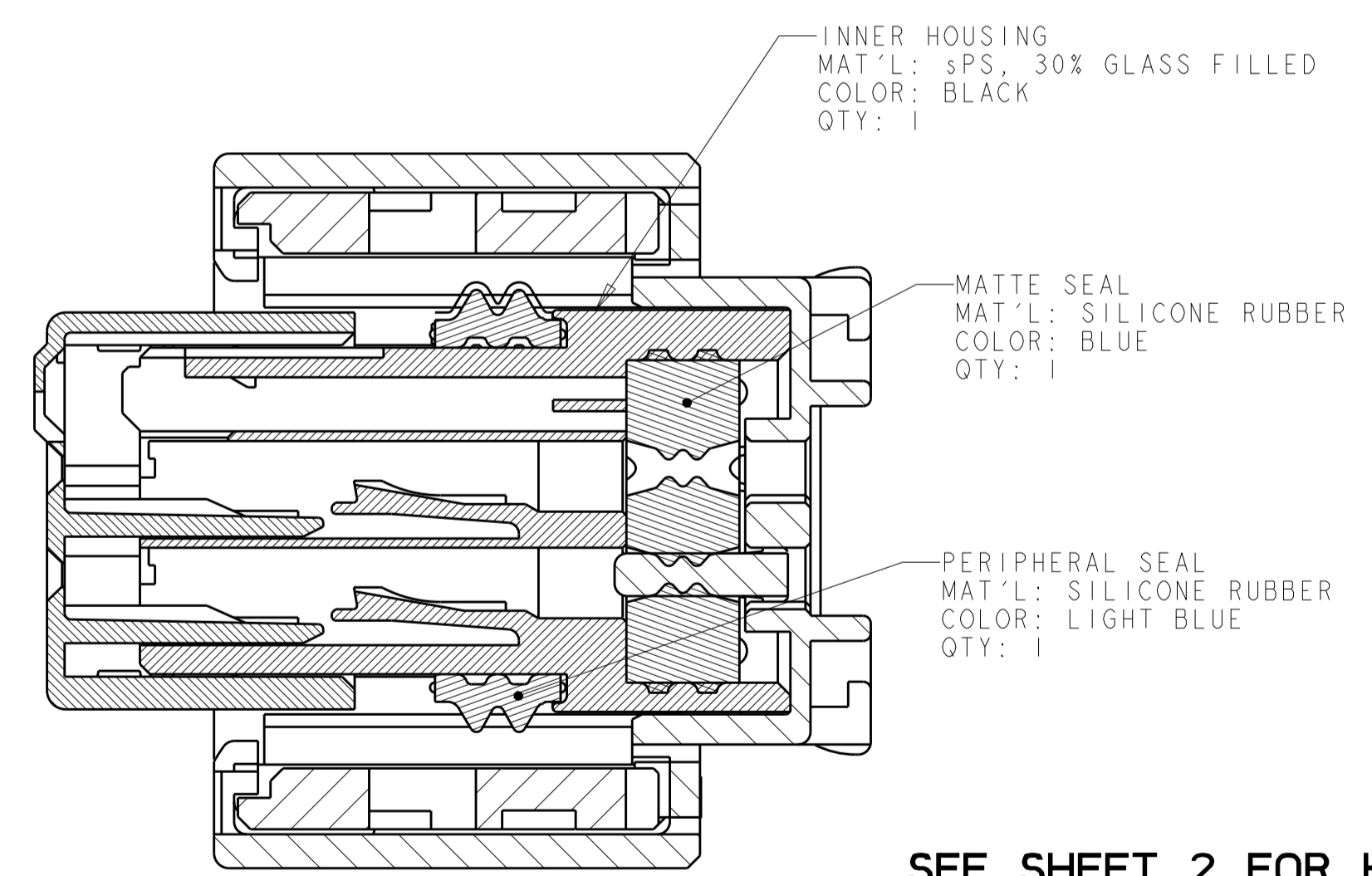
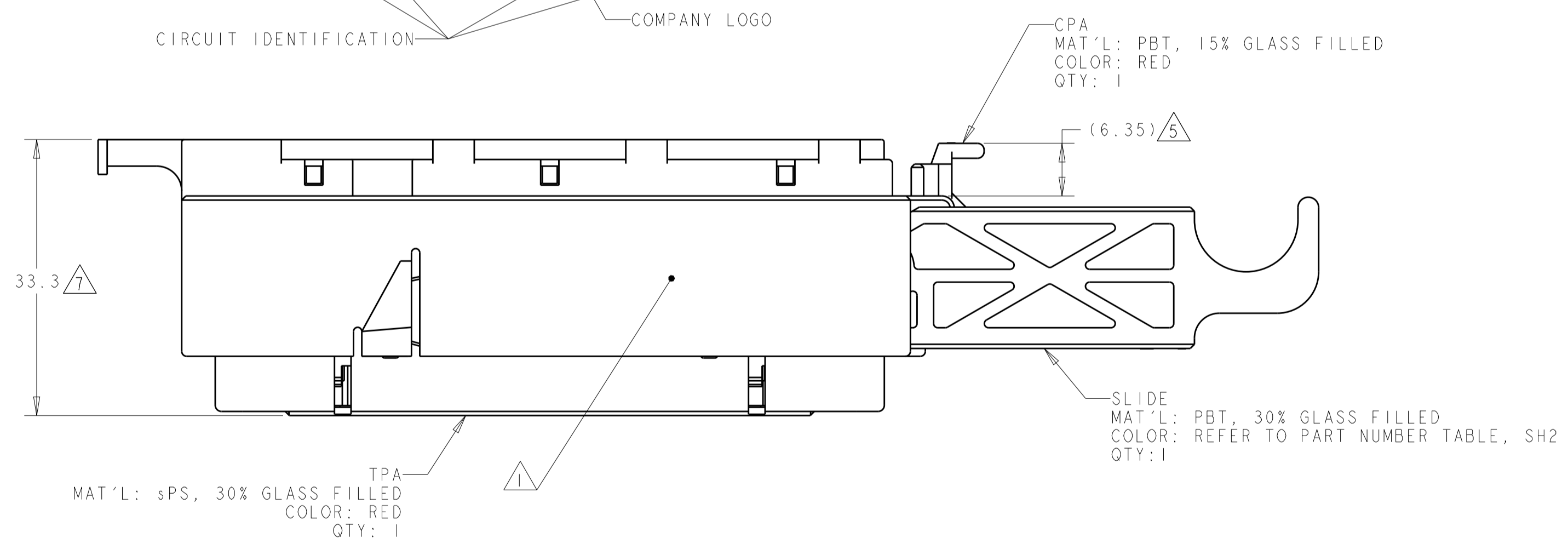
ALTERNATE CONSTRUCTION



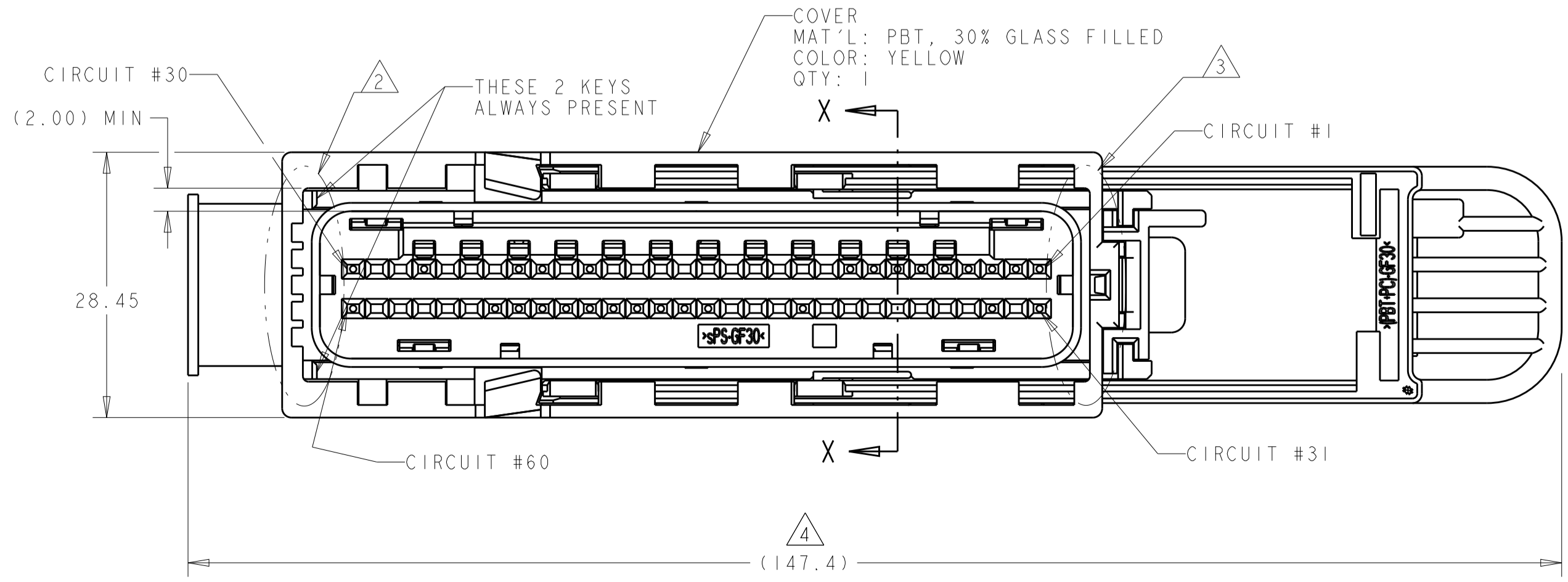
DETAIL A  
SCALE 4:1



DETAIL B  
SCALE 4:1



SECTION X-X  
SCALE 4:1



- △ 1. TE CONNECTIVITY (TE) PART NUMBER AND JULIAN DATE CODE MARKED ON THIS SIDE.
- △ 2. SEE KEYING ARRANGEMENT TABLE FOR KEYWAY LOCATIONS, SEE SHEET 6.
- △ 3. SEE KEYING ARRANGEMENT TABLE FOR KEY LOCATIONS, SEE SHEET 6.
- △ 4. SLIDE SHOWN IN UNLOCKED POSITION.
- △ 5. CPA SHOWN IN UNLOCKED POSITION.
- △ 6. NOTE DELETED.
- △ 7. TPA SHOWN IN UNLOCKED POSITION.
- 8. REFER TO DRAWING C-638623 AND/OR C-1488143 FOR MATING CONNECTOR INFORMATION.
- △ 9. NOT FOR PRODUCTION USE.
- 10. MISCELLANEOUS COMPONENT ENGAGE/DISENGAGE FORCE, SAE/USCAR-2, SECTION 5.4.4.4, G.M. APPROVED DEVIATION: TPA (PRE-SET TO FULL) FORCES TO BE 15 TO 55 NEWTONS.
- 11. MISCELLANEOUS COMPONENT ENGAGE/DISENGAGE FORCE, SAE/USCAR-2, SECTION 5.4.4.4, G.M. APPROVED DEVIATION: CPA (PRE-SET TO FULL) FORCES TO BE 7 TO 30 NEWTONS.
- 12. POLARIZATION FEATURE EFFECTIVENESS, SAE/USCAR-2, SECTION 4.3.4, G.M. APPROVED DEVIATION: DURING MISMATING FORCE TESTING CERTAIN CONNECTOR/HEADER COMBINATIONS MAY ALLOW ELECTRICAL CONTACT OF UP TO 26 PINS BELOW THE REQUIRED 220 NEWTON FORCE.
- 13. CONNECTOR-CONNECTOR MATING/UNMATING FORCE, SAE/USCAR-2, SECTION 5.4.2.4, G.M. APPROVED DEVIATION: MATING FORCE IS ACCEPTABLE FOR THE CONNECTOR/HEADER SYSTEM UP TO 50 TERMINALS AT ≤ 75 NEWTONS.
- 14. APPLICABLE TE GET FEMALE TERMINALS: FOR 0.22/0.35 WIRE SECTION, TERMINAL PART NUMBER 1393364-2 FOR 0.50/0.75 WIRE SECTION, TERMINAL PART NUMBER 1393365-2
- 15. REFER TO POGO PIN FOR GET SOCKET TERMINAL ON TE DRAWING #114-18411 FOR CONTINUITY TESTING.
- △ 16. PRELIMINARY NOT RELEASED FOR PRODUCTION.

SEE SHEET 2 FOR HEADER INTERFACE SPECIFICATION,  
SHEET 6 FOR KEYING ARRANGEMENTS,  
AND SHEETS 7, 8 & 9 FOR CIRCUIT ARRANGEMENTS

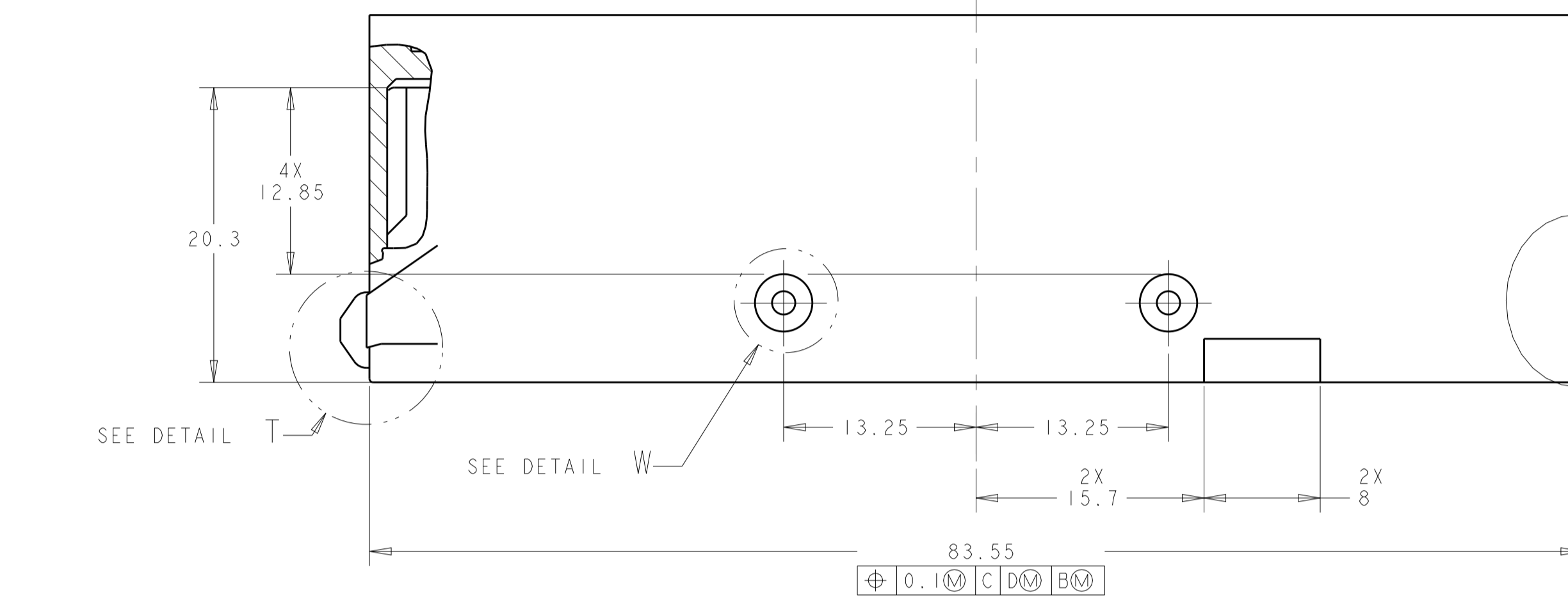
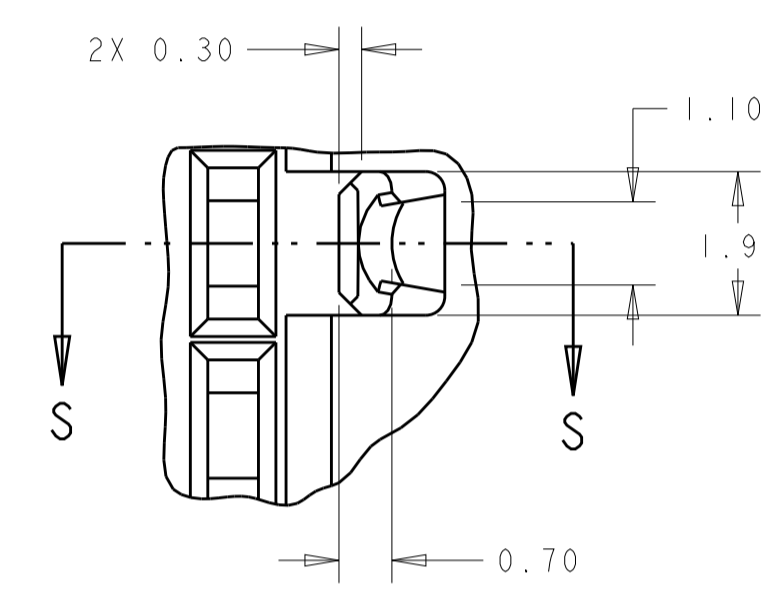
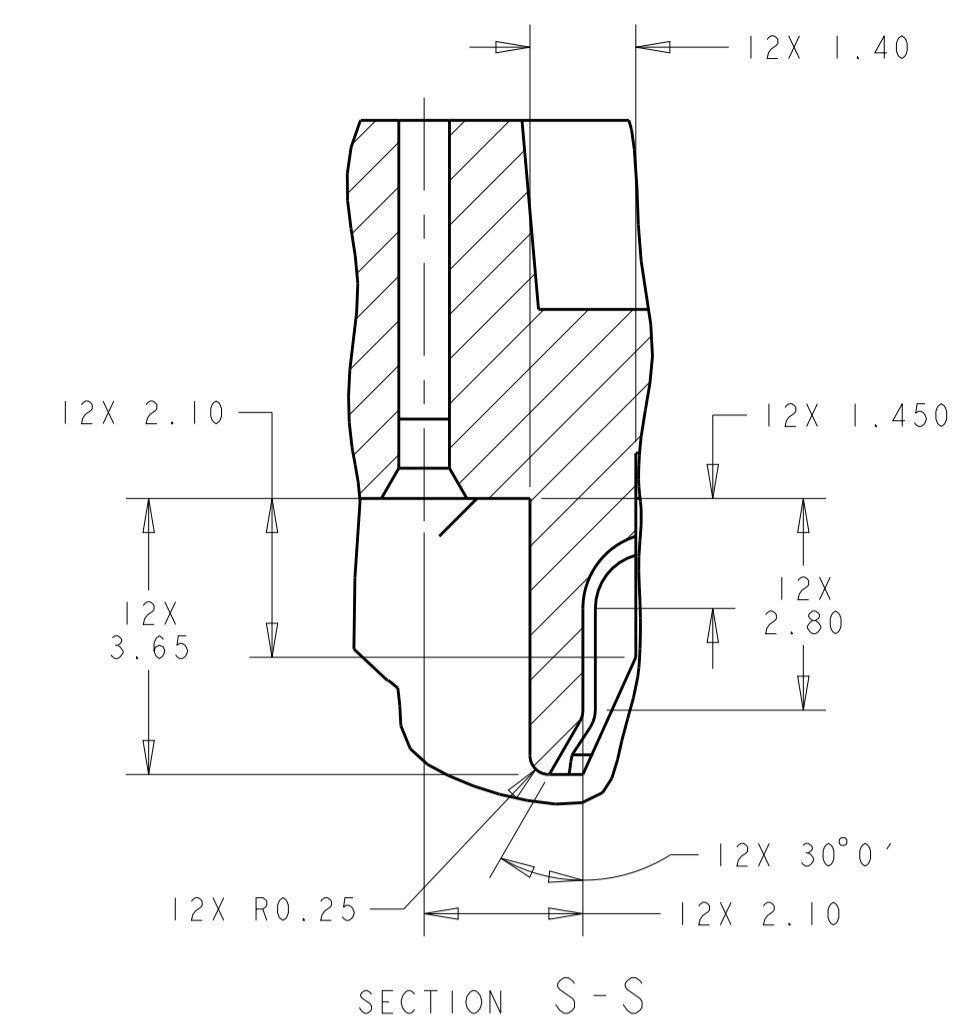
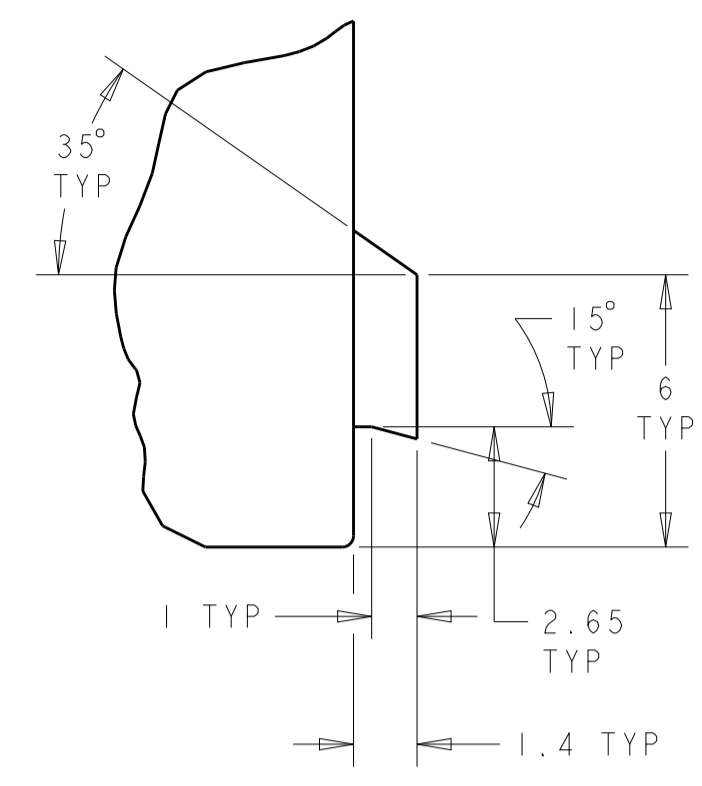
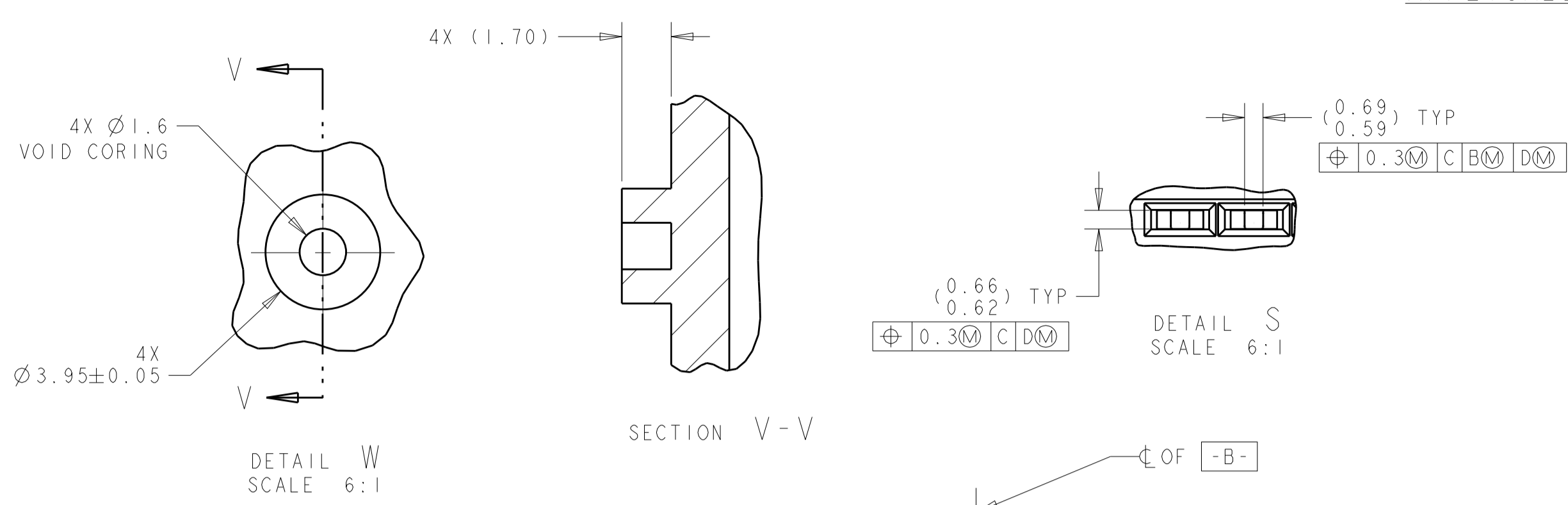
SEE SHEET 3  
PART NUMBER

THIS DRAWING IS A CONTROLLED DOCUMENT.		OWN: J. R. SHUEY 31MAR2000	TE Connectivity	
DIMENSIONS:		CHK: V. KANE 31MAR2000		
TOLERANCES UNLESS OTHERWISE SPECIFIED:		APP'D: J. M. MYER 31MAR2000		
mm	0 PLC ±	PRODUCT SPEC	NAME: ASSEMBLY, FEMALE, 60 WAY GET SDM CONNECTOR (SHUNTLESS VERSION)	
	1 PLC ±0.5	APPLICATION SPEC	SIZE: 114-13060	
	2 PLC ±0.20	WEIGHT	RESTRICTED TO	
	3 PLC ±	ANGLE	A100779C=638595	
	4 PLC ±	FINISH	SCALE: 2:1 SHEET 1 OF 10	
MATERIAL: SEE CALLOUT	FINISH: SEE CALLOUT	CUSTOMER DRAWING	REV: BA4	

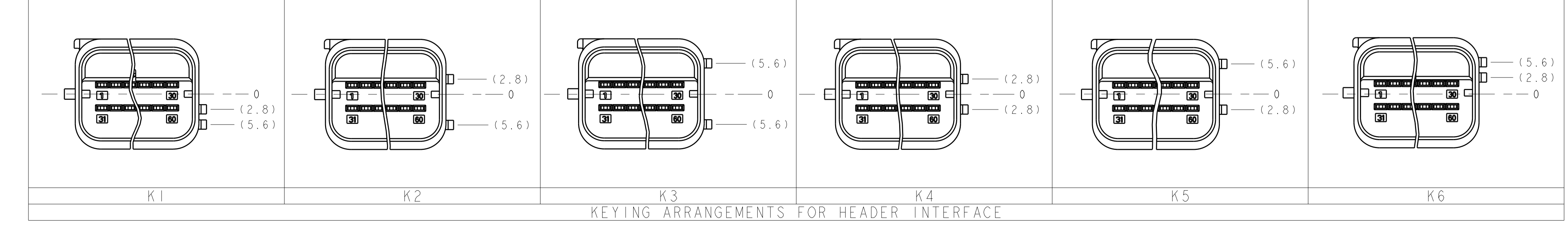
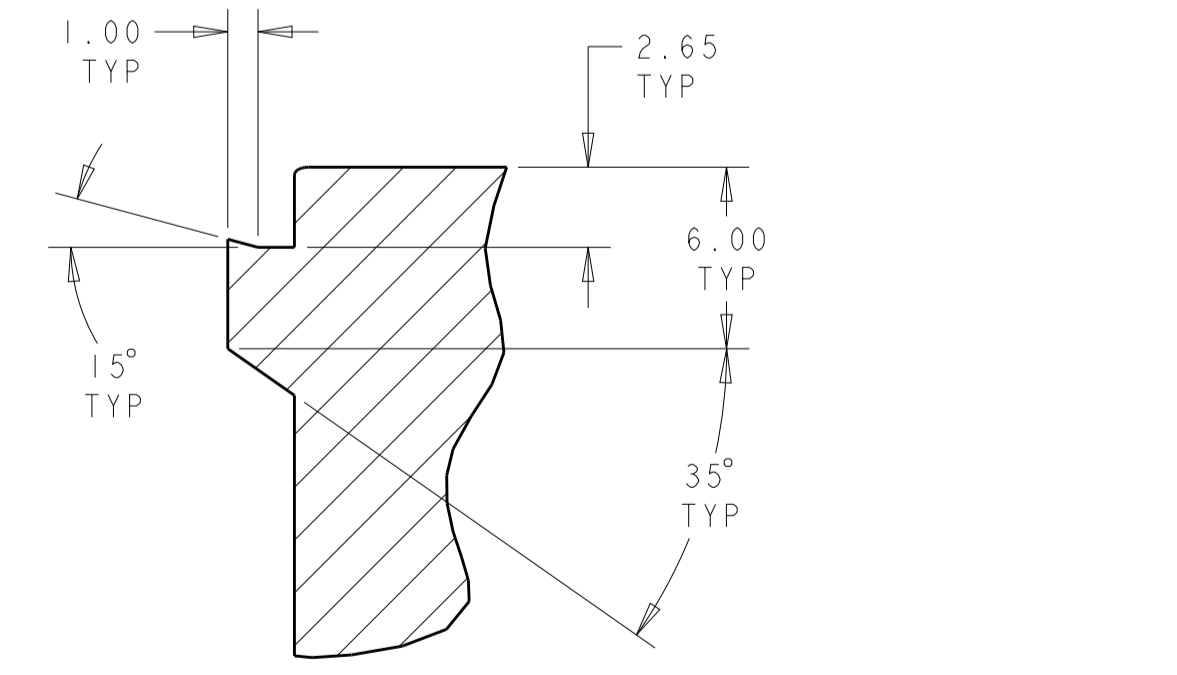
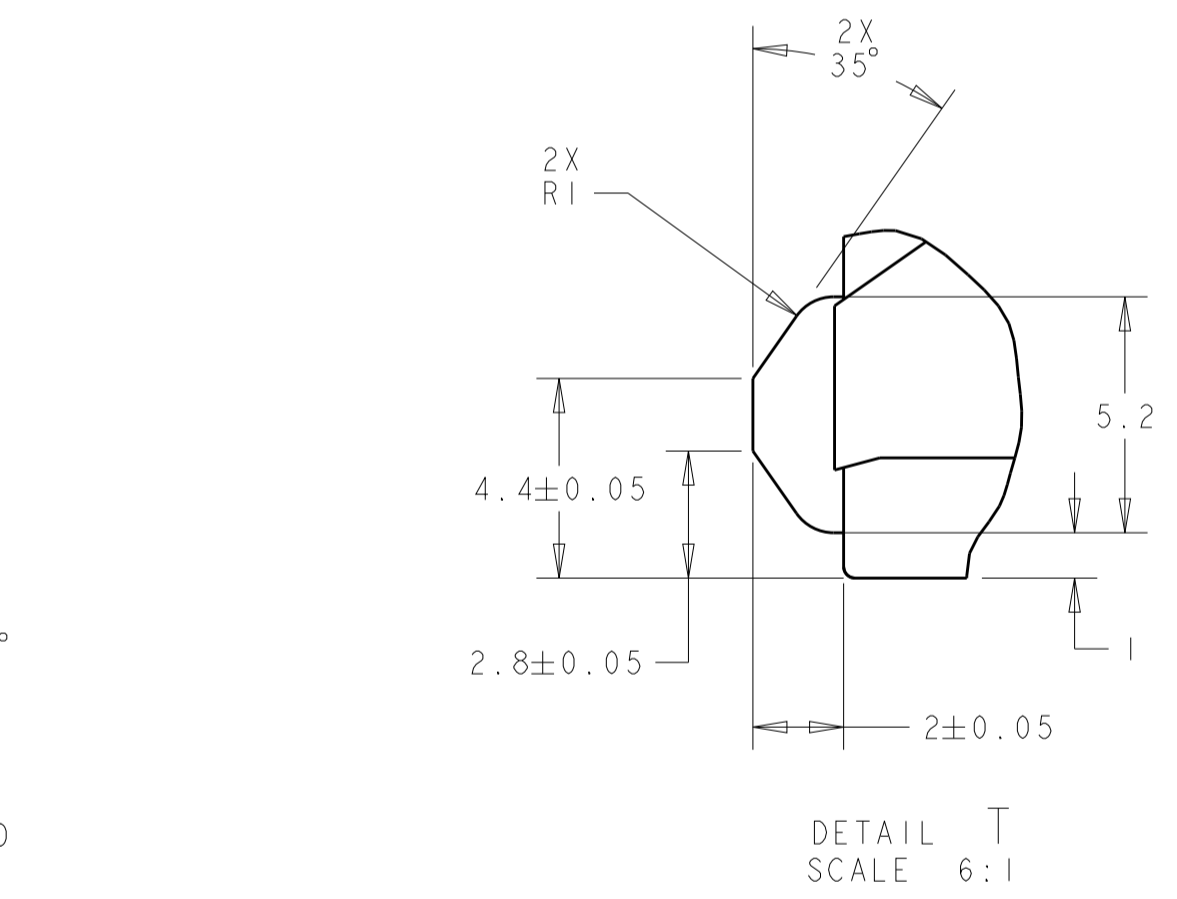
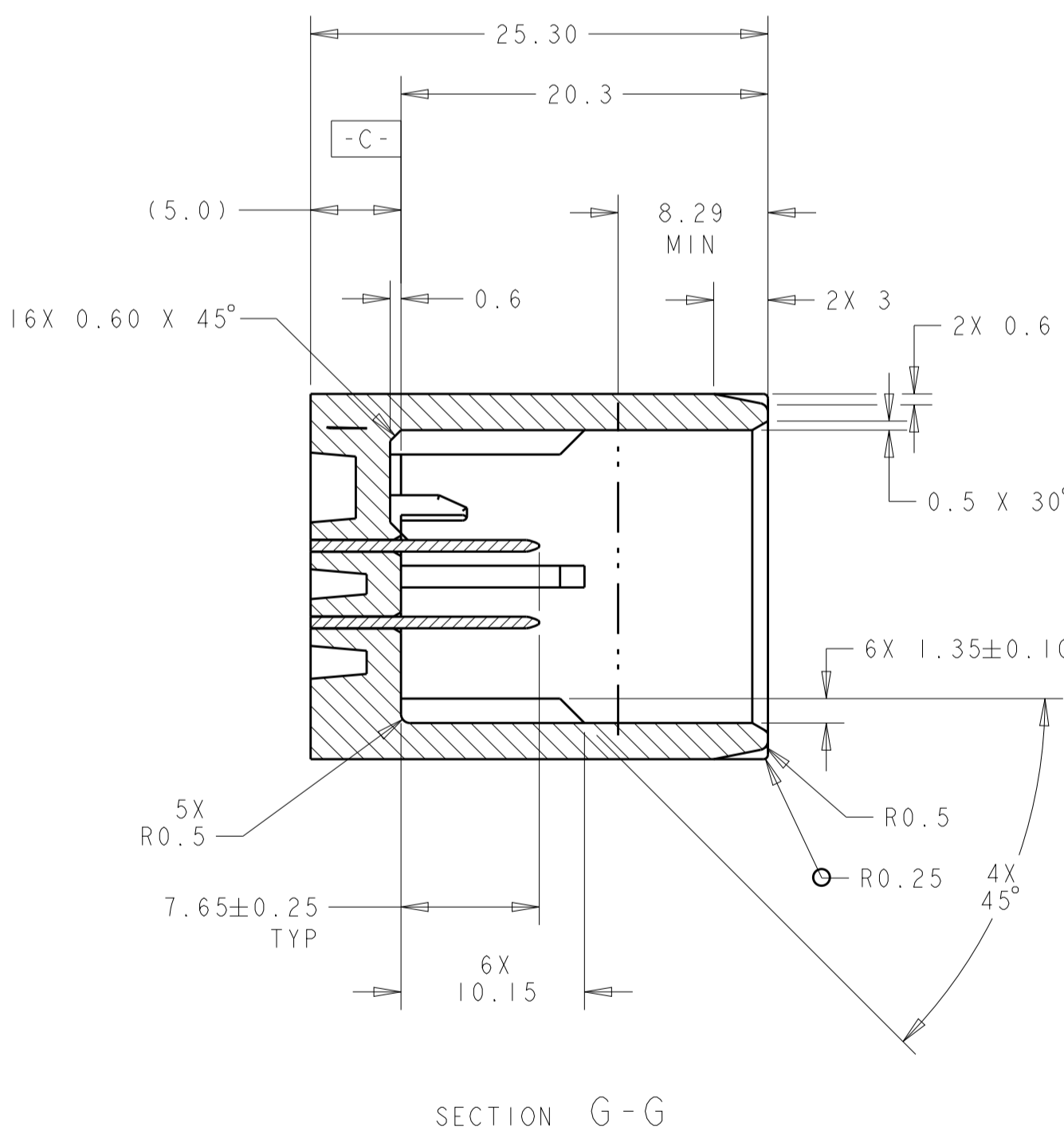
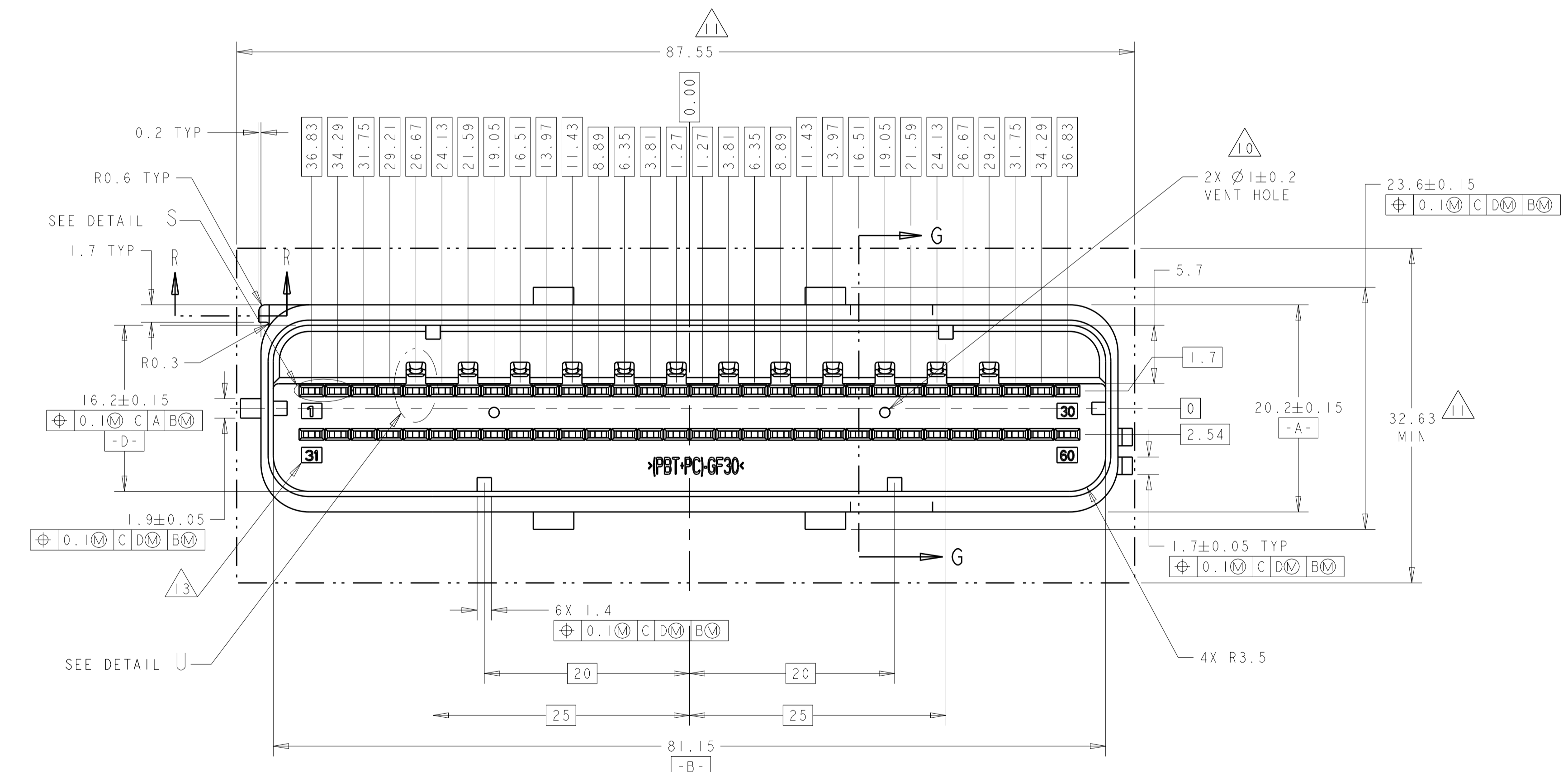
# APPLICABLE HEADER INTERFACE SPECIFICATION

SHOWN WITH KEYING OPTION K1  
SCALE 3:1

REVISIONS				
REV	DATE	BY	CHKD	APPROV
1				
2				
3				
4				
5				
6				
7				
8				



- NOTE(S): UNLESS OTHERWISE SPECIFIED
- PART MUST CONFORM TO THE LATEST LEVEL OF USCAR DATED 951010.
  - ALL PLASTIC PARTS MUST HAVE MATERIAL IDENTIFICATION SYMBOLS CLEARLY MARKED, WHEREVER PACKAGE SIZE PERMITS.
  - GENERAL TOLERANCES: ±0.2 ALL ONE PLACE DIMENSIONS, ±0.1 ALL TWO PLACE DIMENSIONS, ±2° ALL ANGULAR PLACE DIMENSIONS
  - ALL RADIUS ±0.5.
  - PIN PLATING DETAILS . . .
  - (SEALED INTERFACES ONLY) SEALING SURFACE MUST BE SMOOTH AND FREE OF PARTING LINES.
  - PARTS ARE TO BE FREE OF SCRATCHES, DISCOLORATION, SALT RESIDUE OR OTHER IMPERFECTIONS THAT MAY AFFECT FUNCTION OR FIT OF PART.
  - DRAFT ANGLE PERMISSIBLE ONLY WITHIN PRINT TOLERANCE.
- 9 SEALING SURFACE, NO WITNESS LINES OR DAMAGE PERMITTED.
  - 10 VENT HOLE SIZE AND LOCATION OPTIONAL.
  - 11 THIS AREA TO REMAIN CLEAR FOR HARNESS ASSEMBLY.
  - 12 HOUSING MATERIAL SELECTION BASED ON PERFORMANCE REQUIRED FOR END APPLICATION AND SOLDERING PROCESS.  
POLYESTER (PBT) - 30% GLASS TESTED TO USCAR2, REV 3, CLASS 2, MAX. AMBIENT 100 DEGREE C.
  - 13 CIRCUIT NUMBERS 1.0 HIGH CHARACTERS RAISED 0.05 - 0.1 IN A 0.10 TO 0.15 RECESSED AREA.



THIS DRAWING IS A CONTROLLED DOCUMENT.		OWN: J. R. SHUEY 31MAR2000	TE Connectivity ASSEMBLY, FEMALE, 60 WAY GET SDM CONNECTOR (SHUNTLESS VERSION)
DIMENSIONS: mm		CHK: V. KANE 31MAR2000	
TOLERANCES UNLESS OTHERWISE SPECIFIED:		APVD: J. M. MYER 31MAR2000	NAME: PRODUCT SPEC
0 PLC ± 1 PLC ±0.5 2 PLC ±0.20 3 PLC ± 4 PLC ± ANGLES ±		APPLICATION SPEC	
MATERIAL: SEE CALLOUT		SIZE: 114-13060	
FINISH: SEE CALLOUT		WEIGHT: A100779C=638595	
CUSTOMER DRAWING		SCALE: 2:1 SHEET 2 OF 10	


REVISIONS				
P.	LTN	DESCRIPTION	DATE	BY
-	-	SEE SHEET 1	-	-

GM PART NUMBER	SLIDE COLOR	CIRCUIT ARRANGEMENT (SEE TABLE ON SH. 5 & 6)	KEYING ARRANGEMENT (SEE TABLE ON SHEET 5)	PART NUMBER
OBSOLETE 19206486	BLACK	C120	K1	<del>7-184464-2</del>
19206484	BLACK	C119	K1	7-184464-0
---	BLACK	C118	K6	6-184464-9
OBSOLETE ---	BLACK	C116	K2	<del>6-184464-7</del>
---	BLACK	C103	K1	6-184464-6
---	BLACK	C114	K6	6-184464-5
OBSOLETE ---	BLACK	C113	K1	<del>6-184464-4</del>
---	BLACK	C112	K1	6-184464-3
OBSOLETE ---	BLACK	C111	K3	<del>6-184464-2</del>
OBSOLETE ---	BLACK	C110	K6	<del>6-184464-1</del>
---	BLACK	C106	K5	6-184464-0
---	BLACK	C105	K4	5-184464-9
---	BLACK	C106	K3	5-184464-8

SLIDE COLOR	CIRCUIT ARRANGEMENT (SEE TABLE ON SH. 5 & 6)	KEYING ARRANGEMENT (SEE TABLE ON SHEET 5)	PART NUMBER
OBSOLETE BLACK	C101	K3	<del>5-184464-3</del>
BLACK	C99	K6	5-184464-1
BLACK	C98	K1	5-184464-0
OBSOLETE BLACK	C97	K3	<del>4-184464-9</del>
OBSOLETE BLACK	C96	K6	<del>4-184464-8</del>
BLACK	C95	K1	4-184464-7
BLACK	C94	K1	4-184464-6
BLACK	C93	K1	4-184464-5
BLACK	C92	K6	4-184464-4
GREEN	C91	K6	4-184464-3
BLUE	C88	K3	3-184464-8
YELLOW	C86	K3	3-184464-6
BROWN	C85	K3	3-184464-5
GREY	C22	K7	3-184464-1
GREEN	C66	K3	3-184464-0
GREY	C65	K3	2-184464-9
BLACK	C79	K6	2-184464-6
BLACK	C78	K6	2-184464-5
BLACK	C77	K6	2-184464-4
BLACK	C53	K2	2-184464-3
BLACK	C76	K6	2-184464-2
BLACK	C72	K1	2-184464-1
BLACK	C70	K1	1-184464-9
BLACK	C68	K1	1-184464-7
OBSOLETE BLACK	C67	K1	<del>1-184464-6</del>
BROWN	C48	K4	184464-9
OBSOLETE BLACK	C58	K6	<del>184464-5</del>
BLACK	C57	K6	184464-4

SLIDE COLOR	CIRCUIT ARRANGEMENT (SEE TABLE ON SH. 5 & 6)	KEYING ARRANGEMENT (SEE TABLE ON SHEET 5)	PART NUMBER
OBSOLETE BLACK	C3	K99	<del>9-638595-7</del>
BLACK	C3	K99	8-638595-5
BLACK	C48	K4	6-638595-4
OBSOLETE YELLOW	C30	K4	<del>6-638595-3</del>
YELLOW	C47	K4	6-638595-2
GREEN	C19	K5	6-638595-0
GREY	C46	K3	5-638595-9
GREEN	C45	K3	5-638595-8

SLIDE COLOR	CIRCUIT ARRANGEMENT (SEE TABLE ON SH. 5 & 6)	KEYING ARRANGEMENT (SEE TABLE ON SHEET 5)	PART NUMBER
BLUE	C22	K6	5-638595-3
GREEN	C42	K6	5-638595-1
BLUE	C41	K6	5-638595-0
BLUE	C39	K6	4-638595-8
BLACK	C38	K6	4-638595-7
BLACK	C21	K3	4-638595-6
BLACK	C16	K4	4-638595-5
BLACK	C37	K2	4-638595-4
OBSOLETE BROWN	C31	K1	<del>3-638595-8</del>
BROWN	C29	K1	3-638595-5
GREY	C29	K5	3-638595-4
YELLOW	C28	K2	3-638595-3
BLUE	C22	K3	2-638595-9
OBSOLETE BLUE	C26	K3	<del>2-638595-8</del>
BLACK	C11	K1	2-638595-7
BROWN	C21	K3	2-638595-4
ORANGE	C22	K3	2-638595-2
BLACK	C20	K1	2-638595-0
BLACK	C9	K1	1-638595-9
BLACK	C18	K2	1-638595-7
OBSOLETE GREEN	C17	K5	<del>1-638595-6</del>
BLUE	C16	K4	1-638595-5
OBSOLETE BLACK	C4	K1	<del>638595-1</del>

THIS DRAWING IS A CONTROLLED DOCUMENT.		DWN J.R. SHUEY 31MAR2000		 TE Connectivity
DIMENSIONS: mm		CHK V. KANE 31MAR2000		
TOLERANCES UNLESS OTHERWISE SPECIFIED:		APVD J.M. MYER 31MAR2000		NAME ASSEMBLY, FEMALE, 60 WAY GET SDM CONNECTOR (SHUNTLESS VERSION)
0 PLC ±. 1 PLC ±0.5 2 PLC ±0.20 3 PLC ±. 4 PLC ±. ANGLES ±. FINISH ±.		PRODUCT SPEC APPLICATION SPEC 114-13060 WEIGHT CUSTOMER DRAWING		SIZE A100779 CAGE CODE DRAWING NO. C=638595 SHEET 3 OF 10 SCALE 2:1 REV BA4



REVISIONS				
P.	LTN	DESCRIPTION	DATE	APVD
-	-	SEE SHEET 1	-	-

NOT INTENDED FOR PRODUCTION USE  
 SERVICE PART

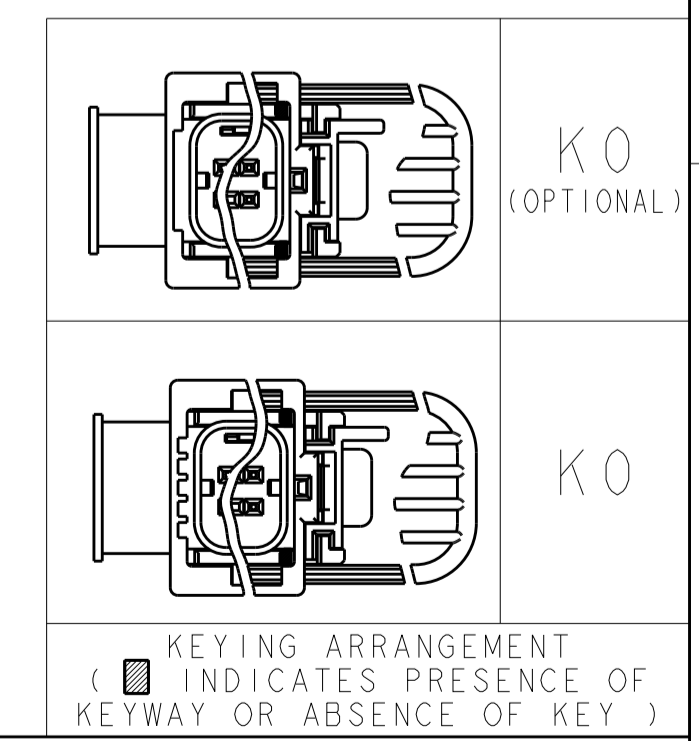
9	BLACK	C3	K0	8-184464-7
	SLIDE COLOR	CIRCUIT ARRANGEMENT (SEE TABLE ON SHEET 4)	KEYING ARRANGEMENT (SEE TABLE ON SHEET 4)	PART NUMBER

NOT INTENDED FOR PRODUCTION USE  
 SERVICE PART

1	2	3	4	5	6	7	8	9	10	11	12	13	14	15	16	17	18	19	20	21	22	23	24	25	26	27	28	29	30	
31	32	33	34	35	36	37	38	39	40	41	42	43	44	45	46	47	48	49	50	51	52	53	54	55	56	57	58	59	60	

C3

CIRCUIT ARRANGEMENT  
 [X] INDICATES UNAVAILABLE (BLOCKED) CIRCUIT



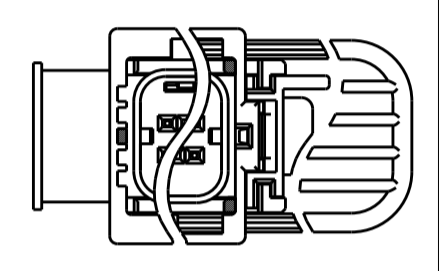
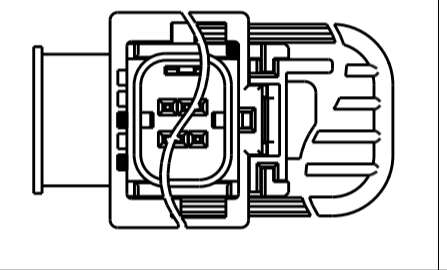
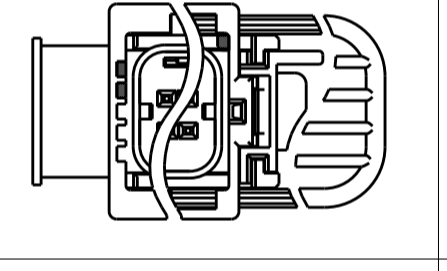
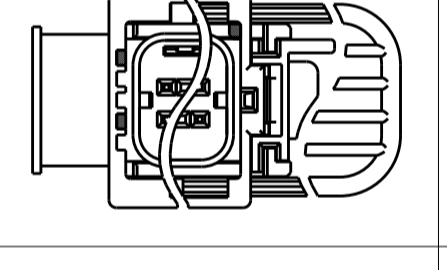
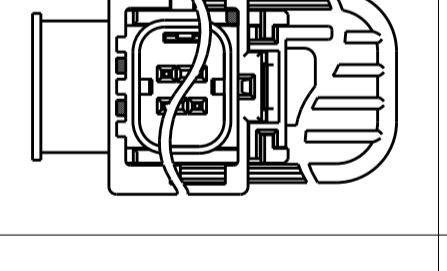
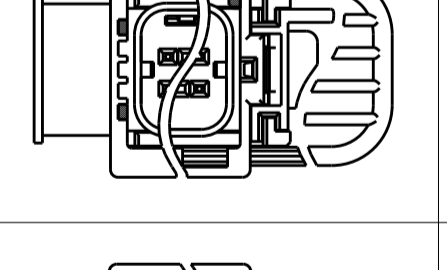
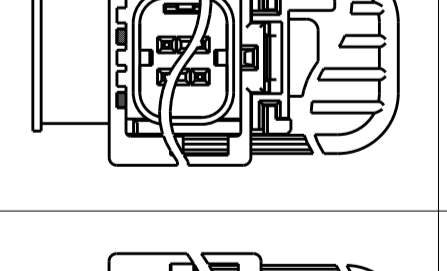
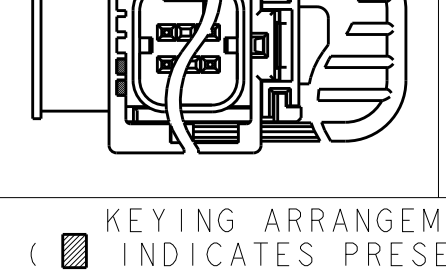
THIS DRAWING IS A CONTROLLED DOCUMENT.

DIMENSIONS: mm	TOLERANCES UNLESS OTHERWISE SPECIFIED:	DWN: J.R. SHUEY 31MAR2000	CHK: V. KANE 31MAR2000	APVD: J.M. MYER 31MAR2000
0 PLC ±	1 PLC ±0.5	PRODUCT SPEC	NAME: ASSEMBLY, FEMALE, 60 WAY GET SDM CONNECTOR (SHUNTLESS VERSION)	
2 PLC ±0.20	3 PLC ±	APPLICATION SPEC	SIZE: A1	CAGE CODE: 00779
4 PLC ±	ANGLES ±	WEIGHT: 114-13060	SCALE: 2:1	SHEET 5 OF 10
MATERIAL: SEE CALLOUT	FINISH: SEE CALLOUT	CUSTOMER DRAWING	REV: BA4	RESTRICTED TO


4805 (3/13)

THIS DRAWING IS UNPUBLISHED. RELEASED FOR PUBLICATION 20  
 © COPYRIGHT 20 BY - ALL RIGHTS RESERVED.

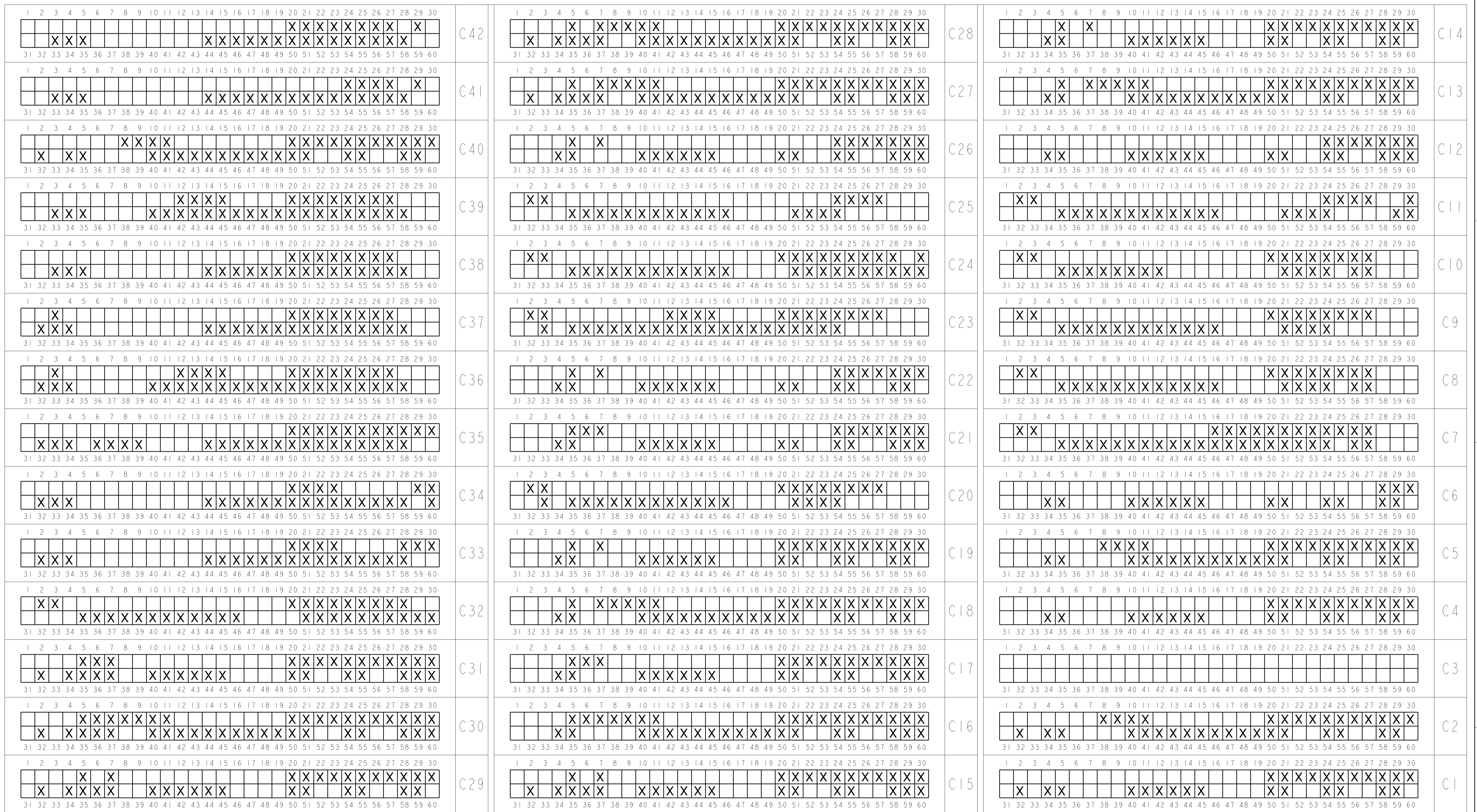
REVISIONS				
P.	LTN	DESCRIPTION	DATE	OWN APVD
-	-	SEE SHEET 1	-	-

	K 99
	K 7
	K 6
	K 5
	K 4
	K 3
	K 2
	K 1

KEYING ARRANGEMENT  
 (  INDICATES PRESENCE OF  
 KEYWAY OR ABSENCE OF KEY )

THIS DRAWING IS A CONTROLLED DOCUMENT.		DWN J. R. SHUEY 31MAR2000	 TE Connectivity
		CHK V. KANE 31MAR2000	
DIMENSIONS:		APVD J. M. MYER 31MAR2000	NAME ASSEMBLY, FEMALE, 60 WAY GET SDM CONNECTOR (SHUNTLESS VERSION)
TOLERANCES UNLESS OTHERWISE SPECIFIED:		PRODUCT SPEC	
mm	0 PLC ±	APPLICATION SPEC	SIZE A100779 C=638595 RESTRICTED TO
	1 PLC ±0.5	114-13060	
	2 PLC ±0.20	WEIGHT	SCALE 2:1 SHEET 6 OF 10 REV BA4
	3 PLC ±	CUSTOMER DRAWING	
	4 PLC ±		
	ANGLES ±		
	FINISH		
MATERIAL	SEE CALLOUT		

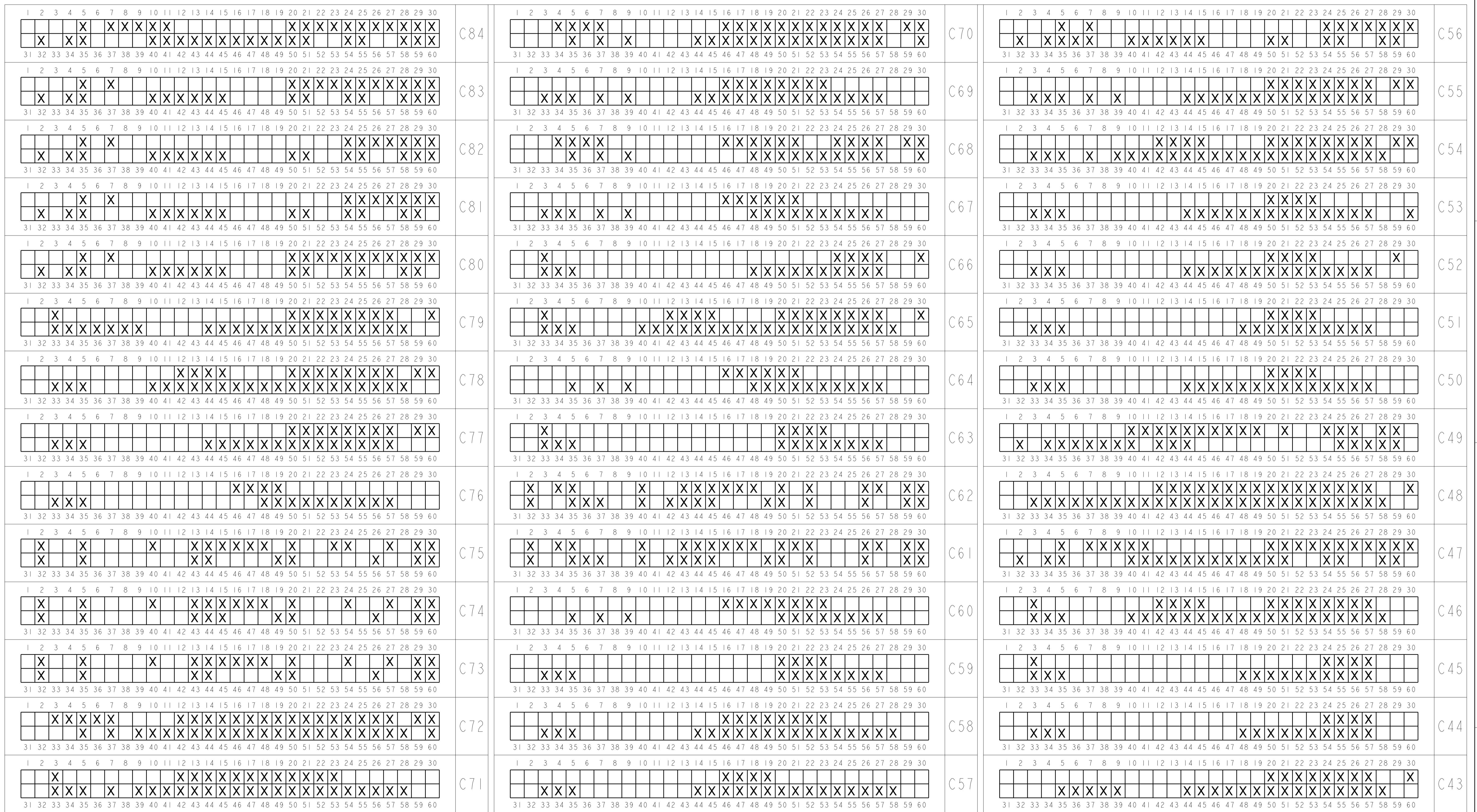
REVISIONS				
P.	LTN	DESCRIPTION	DATE	OWN APVD
-	-	SEE SHEET 1	-	-



CIRCUIT ARRANGEMENT  
 [X] INDICATES UNAVAILABLE (BLOCKED) CIRCUIT

THIS DRAWING IS A CONTROLLED DOCUMENT.		OWN: J. R. SHUEY 31MAR2000	TE Connectivity ASSEMBLY, FEMALE, 60 WAY GET SDM CONNECTOR (SHUNTLESS VERSION)
DIMENSIONS: mm		CHK: V. KANE 31MAR2000	
TOLERANCES UNLESS OTHERWISE SPECIFIED:		APVD: J. M. MYER 31MAR2000	
0 PLC ± 1 PLC ±0.5 2 PLC ±0.20 3 PLC ± 4 PLC ± ANGLES ± FINISH ±		PRODUCT SPEC	
MATERIAL: SEE CALLOUT		APPLICATION SPEC	SIZE: A1
		WEIGHT: 114-13060	CAGE CODE: 638595
		CUSTOMER DRAWING	RESTRICTED TO: BA4

REVISIONS				
P.	LTN	DESCRIPTION	DATE	OWN APVD
-	-	SEE SHEET 1	-	-



CIRCUIT ARRANGEMENT  
 X INDICATES UNAVAILABLE (BLOCKED) CIRCUIT

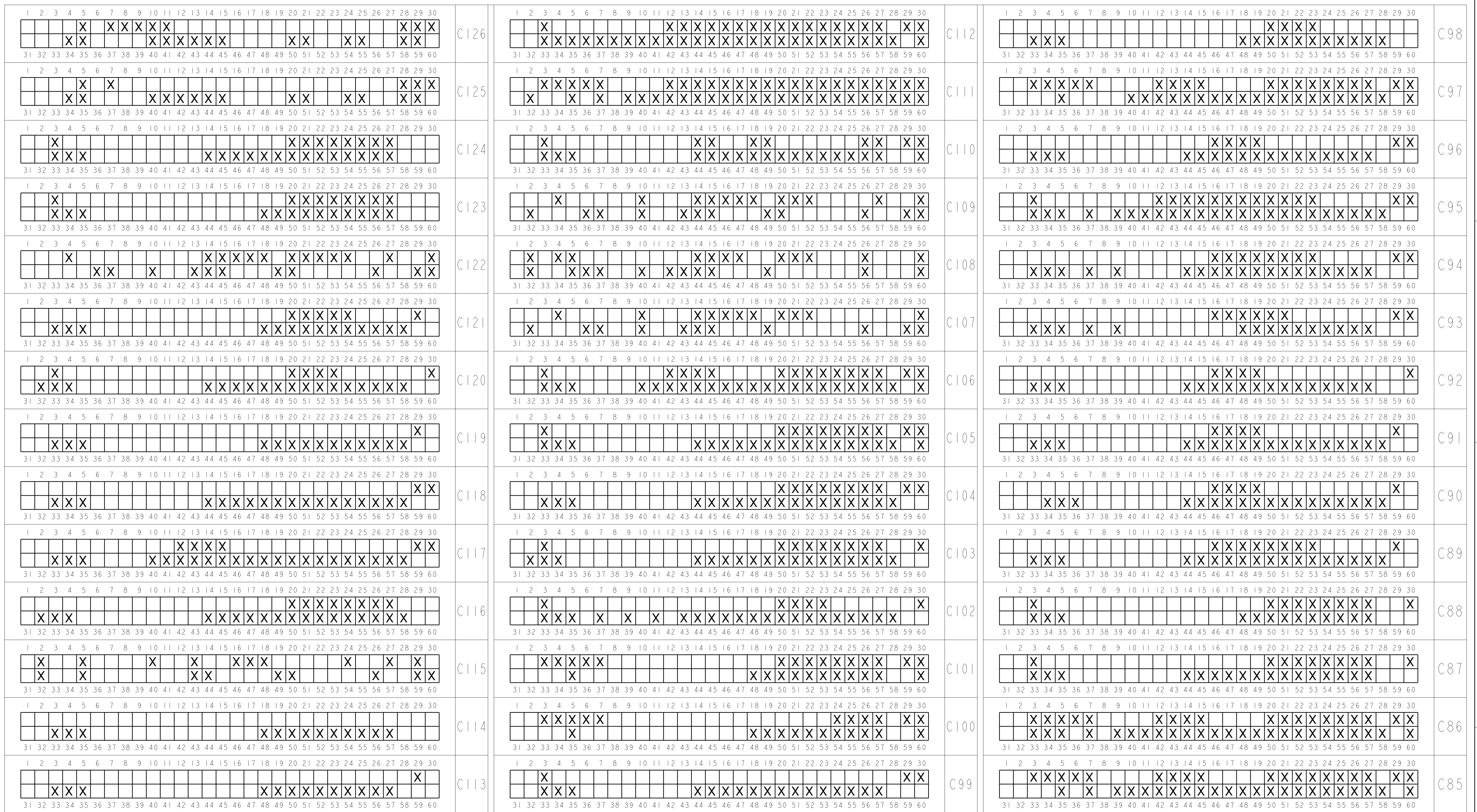
A

A

THIS DRAWING IS A CONTROLLED DOCUMENT.		OWN: J. R. SHUEY 31MAR2000	TE Connectivity ASSEMBLY, FEMALE, 60 WAY GET SDM CONNECTOR (SHUNTLESS VERSION)
DIMENSIONS: mm		CHK: V. KANE 31MAR2000	
TOLERANCES UNLESS OTHERWISE SPECIFIED:		APVD: J. M. MYER 31MAR2000	
0 PLC ±0.25 1 PLC ±0.5 2 PLC ±0.20 3 PLC ±0.25 4 PLC ±0.25 ANGLES ±0.25 FINISH ±0.25		PRODUCT SPEC	
MATERIAL: SEE CALLOUT		APPLICATION SPEC	SIZE: 114-13060
		WEIGHT	RESTRICTED TO
		CUSTOMER DRAWING	SCALE: 2:1 SHEET 8 OF 10



REVISIONS				
P.	LTN	DESCRIPTION	DATE	OWN APVD
-	-	SEE SHEET 1	-	-

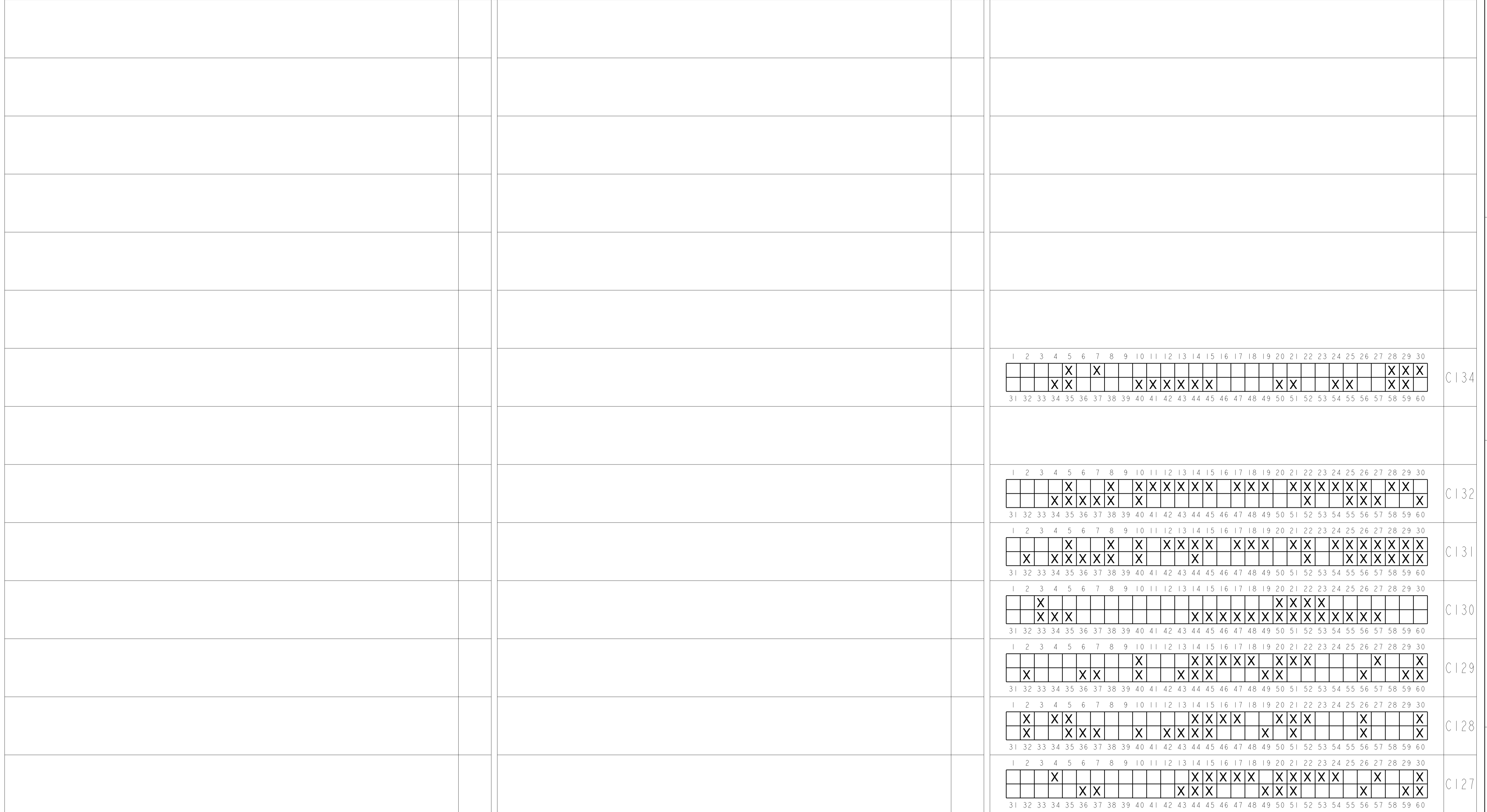


CIRCUIT ARRANGEMENT  
 [X] INDICATES UNAVAILABLE (BLOCKED) CIRCUIT

THIS DRAWING IS A CONTROLLED DOCUMENT.		OWN: J. R. SHUEY 31MAR2000	TE Connectivity
DIMENSIONS: mm		CHK: V. KANE 31MAR2000	
TOLERANCES UNLESS OTHERWISE SPECIFIED:		APVD: J. M. MYER 31MAR2000	NAME: ASSEMBLY, FEMALE, 60 WAY GET SDM CONNECTOR (SHUNTLESS VERSION)
0 PLC ±0.25 1 PLC ±0.5 2 PLC ±0.25 3 PLC ±0.25 4 PLC ±0.25 ANGLES ±0.25 FINISH		PRODUCT SPEC: -	SIZE: A1
MATERIAL: SEE CALLOUT		APPLICATION SPEC: 114-13060	CAGE CODE: 638595
		WEIGHT: -	RESTRICTED TO: -
		CUSTOMER DRAWING	SCALE: 2:1 SHEET 9 OF 10

THIS DRAWING IS UNPUBLISHED. RELEASED FOR PUBLICATION 20  
 © COPYRIGHT 20 BY - ALL RIGHTS RESERVED.

REVISIONS				
P.	LTN	DESCRIPTION	DATE	APVD
-		SEE SHEET 1	-	-



CIRCUIT ARRANGEMENT  
 X INDICATES UNAVAILABLE (BLOCKED) CIRCUIT

THIS DRAWING IS A CONTROLLED DOCUMENT.		DWN J. R. SHUEY 31MAR2000 CHG V. KANE 31MAR2000 APVD J. M. MYER 31MAR2000	TE Connectivity ASSEMBLY, FEMALE, 60 WAY GET SDM CONNECTOR (SHUNTLESS VERSION)
DIMENSIONS: mm 	TOLERANCES UNLESS OTHERWISE SPECIFIED: 0 PLC ± 1 PLC ±0.5 2 PLC ±0.20 3 PLC ± 4 PLC ± ANGLES ± FINISH ±	PRODUCT SPEC APPLICATION SPEC 114-13060 WEIGHT CUSTOMER DRAWING	
MATERIAL SEE CALLOUT		SIZE A100779 CAGE CODE 638595 DRAWING NO. 114-13060 SCALE 2:1 SHEET 10 OF 10 RESTRICTED TO BA4	