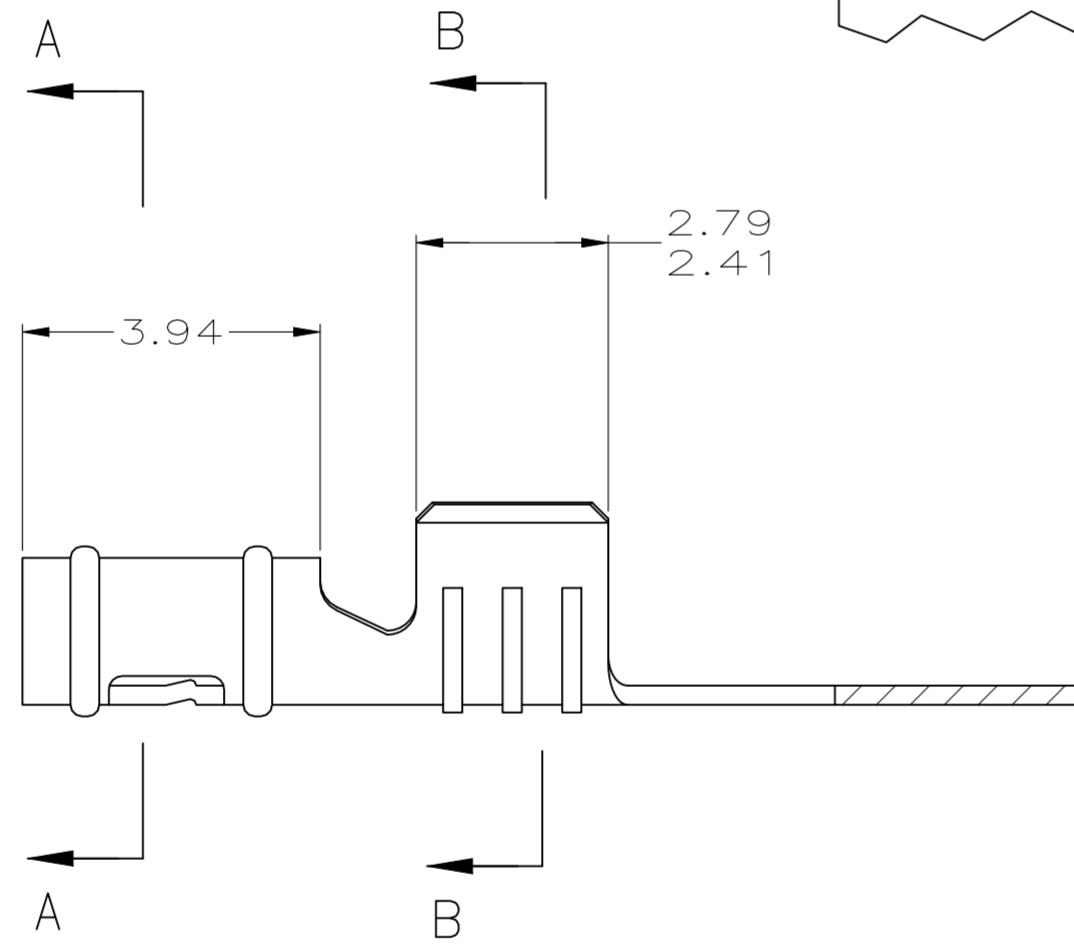
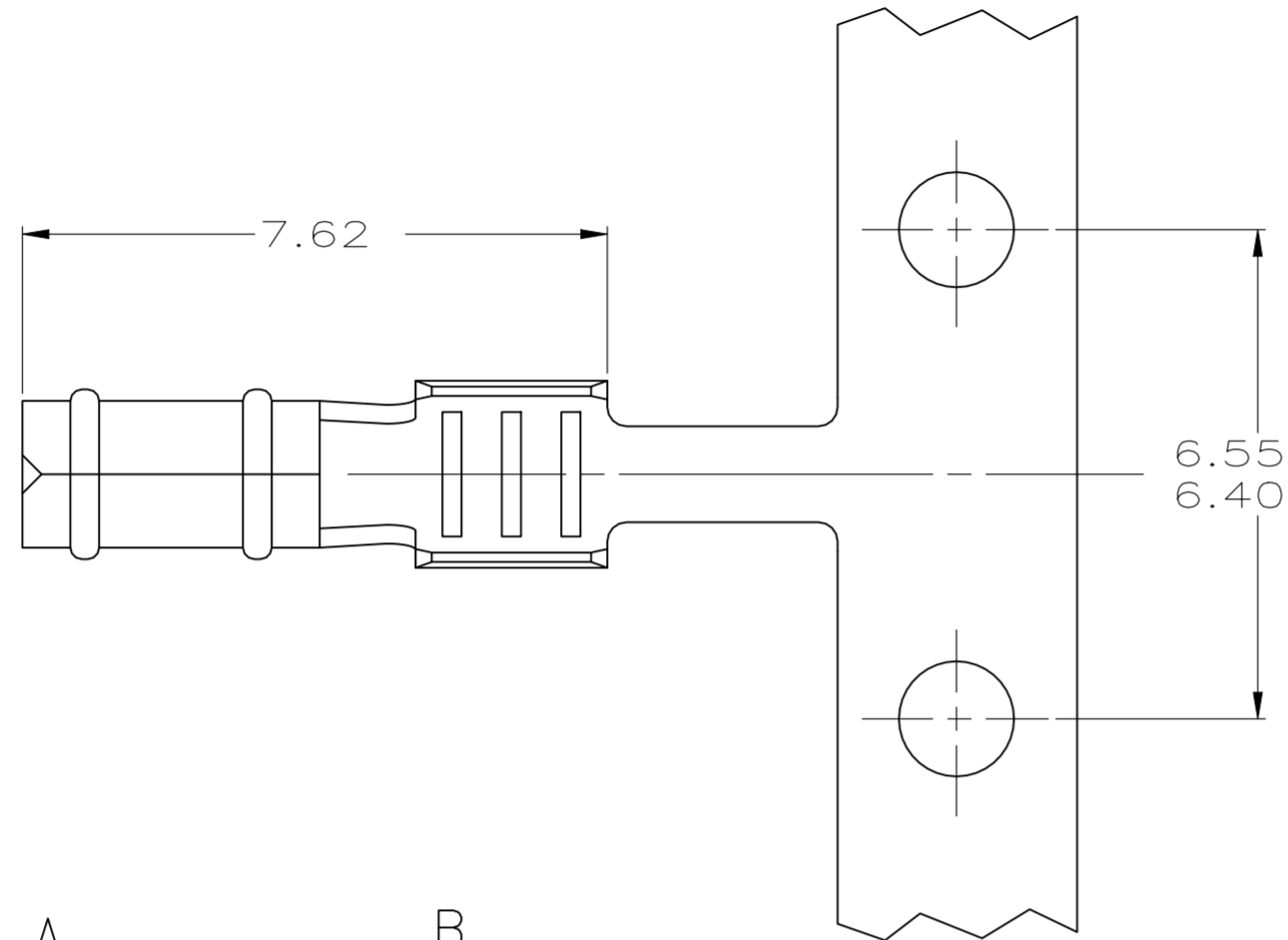
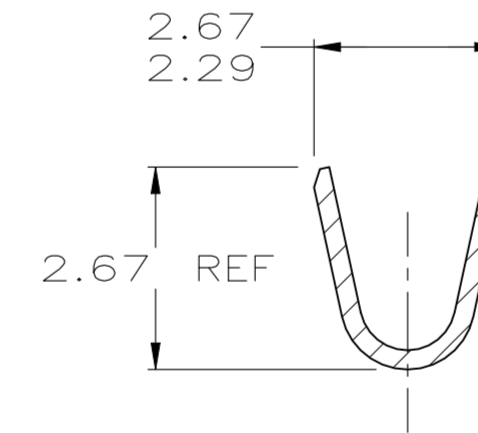


| REVISIONS |     |                           |           |     |      |
|-----------|-----|---------------------------|-----------|-----|------|
| P         | LTR | DESCRIPTION               | DATE      | DWN | APVD |
|           | F   | REVISED PER ECR-24-204609 | 29APR2024 | SK  | DZ   |

- 1 TIN PRE-PLATING.
- 2 WIRE RANGE: 0.3 - 1 MM<sup>2</sup> (22-17 AWG)
- 3 GOLD OVER NICKEL UNDERPLATE ALL OVER.



SECTION A-A



SECTION B-B

|          |        |             |             |
|----------|--------|-------------|-------------|
| OBsolete | 3      | 0.25 BE CU  | 640259-2    |
|          | 1      | 0.25 PH BRZ | 640259-1    |
|          | FINISH | MATERIAL    | PART NUMBER |

|         |         |       |       |      |      |      |      |
|---------|---------|-------|-------|------|------|------|------|
| 0.13    | .005    | 1.486 | .0585 | 2.79 | .110 | 7.62 | .300 |
| 0.00203 | .000080 | 1.47  | .058  | 2.67 | .105 | 6.55 | .258 |
| 0.00127 | .000050 | 1.359 | .0535 | 2.41 | .095 | 6.40 | .252 |
| 0.00038 | .000015 | 0.25  | .010  | 2.29 | .090 | 3.94 | .155 |
| MM      | IN      | MM    | IN    | MM   | IN   | MM   | IN   |

CONVERSION TABLE

|  |                     |                               |   |                        |
|--|---------------------|-------------------------------|---|------------------------|
| THIS DRAWING IS A CONTROLLED DOCUMENT. |                     | DWN<br>T. BECK<br>6-10-97     | TE Connectivity   |                        |
| DIMENSIONS:<br>mm                      |                     | CHK<br>R. SWING<br>6-10-97    |   |                        |
| TOLERANCES UNLESS OTHERWISE SPECIFIED: |                     | APVD<br>A. BEDDICK<br>6-17-97 | NAME<br>RECEPTACLE, .058 DIAMETER,<br>22-17 AWG, P.C. CONTACT |                        |
| 0 PLC ± -                              |                     | PRODUCT SPEC<br>108-1025      | SIZE<br>A2  |                        |
| 1 PLC ± -                              |                     | APPLICATION SPEC<br>114-1008  | CAGE CODE<br>00779  | DRAWING NO<br>C-640259 |
| 2 PLC ± 0.13                           |                     | WEIGHT<br>0.000000            | RESTRICTED TO   |                        |
| 3 PLC ± -                              |                     | CUSTOMER DRAWING              | SCALE<br>10:1   | SHEET<br>1 of 1        |
| 4 PLC ± -                              |                     |                               | REV<br>F  |                        |
| ANGLES ± -                             |                     |                               |   |                        |
| MATERIAL<br>SEE TABLE                  | FINISH<br>SEE TABLE |                               |   |                        |