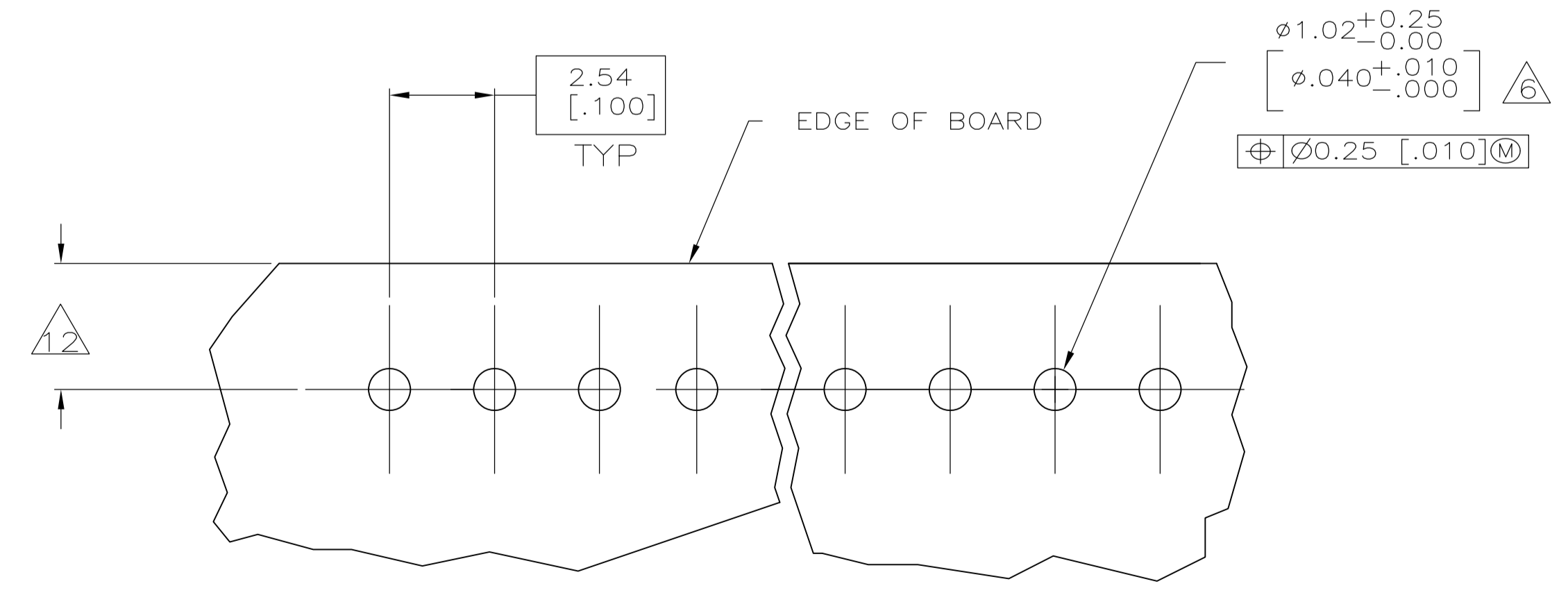
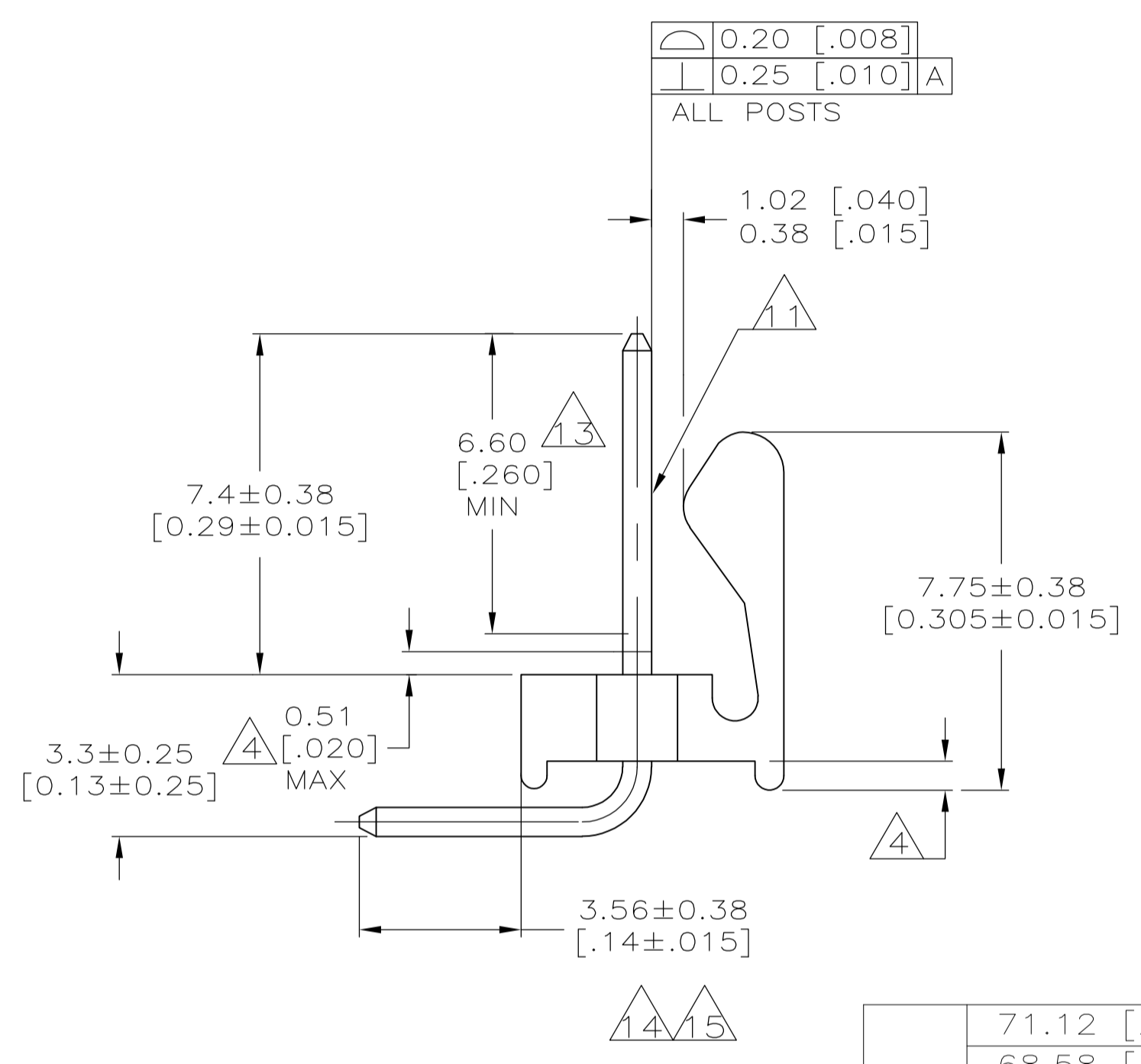
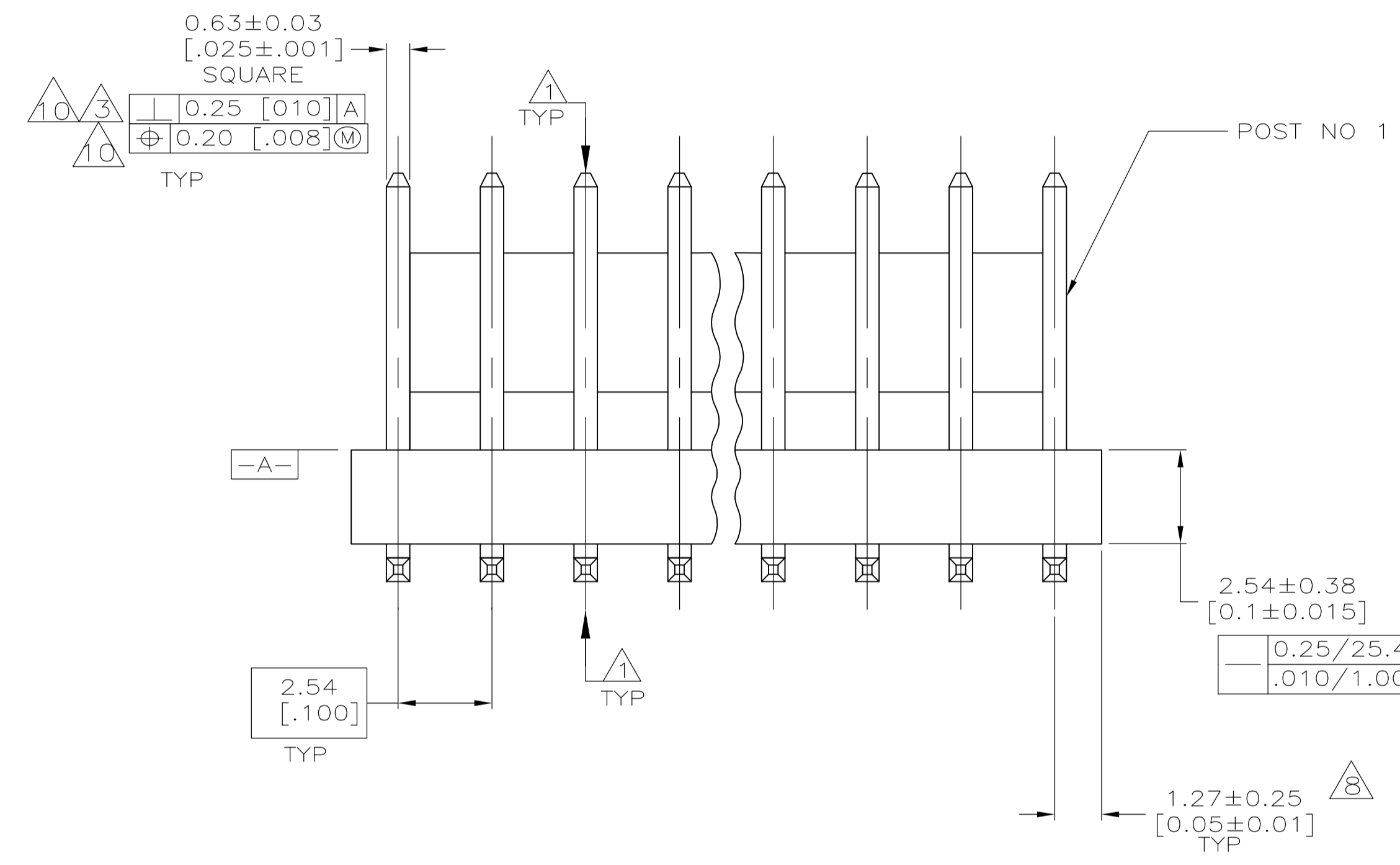


- △1 OBSOLETE PART NUMBER
- △1 POST TO WITHSTAND 13 NEWTONS (3 LBS) MINIMUM AXIAL FORCE IN BOTH DIRECTIONS SHOWN WITHOUT DISLODGING.
- △2 TOLERANCES APPLY TO SOLDER SIDE OF BOARD.
- △3 MEASURED AT **-A-**
- △4 PLASTIC FLASH PERMITTED IN THIS AREA.
- 5 PARTS COMPLY WITH AMP SOLDERABILITY SPEC. NO. 109-11-2.
- △6 ONE HOLE MAY BE UNDERSIZED 0.81-0.89 [.032-.035] DIA. FOR ASSEMBLY RETENTION DURING WAVE SOLDERING.
- △7 MATERIAL: HEADER-THERMOPLASTIC POLYESTER
 94V-0 (NATURAL)
 POST-COPPER ALLOY
 FINISH-USE PLATING NOTES 13 & 14 FOR -2 THRU -28
 AND NOTES 13 & 15 FOR -32 THRU -58
- △8 COORDINATE DIMENSION APPLIES FROM CENTER OF ACTUAL FEATURE.
- 9 PLASTIC BURRS CAUSED BY CUT-OFF TOOLING ARE PERMITTED WITHIN THE MAXIMUM TOLERANCE ENVELOPE.
- △10 POSTS TO BE MEASURED WHEN STRIP IS HELD FLAT.
- △11 POST MUST WITHSTAND TWO 90° BENDS AGAINST EXTRUSION WITHOUT BREAKING.
- △12 DIMENSION SHOULD BE 2.79-4.06 [.110-.160] MIN WHEN MATING WITH A MTA-100 CONNECTOR ASSEMBLY OR 2.79-3.05 [.110-.120] WHEN MATING WITH A CST-100 CONNECTOR ASSEMBLY.
- △13 PLATING: GOLD PLATE AREA, 0.00038 [.000015] GOLD OR 0.00008 [.000003] MIN GOLD FLASH OVER 0.00030 [.000012] PALLADIUM NICKEL, PER TE CONNECTIVITY'S DISCRETION, ALL SIDES, OVER NICKEL UNDERPLATE, 0.00127 [.000050] MIN, ALL SIDES AND ENTIRE LENGTH OF POST.
- △14 PLATING: MATTE TIN PLATE AREA, 0.00381-0.00889 [.000150-.000350] THICK, ALL FOUR SIDES 3.56 [.140] MINIMUM.
- △15 PLATING: MATTE TIN PLATE AREA, 0.00381-0.00889 [.000150-.000350] THICK, ALL FOUR SIDES 3.56 [.140] MINIMUM.
- △16 OBSOLETE PARTS: OBSOLETE CIS STREAMLINING PER D.RENAUD/D.SINISI



71.12 [2.800]	28	5-641127-8
68.58 [2.700]	27	5-641127-7
66.04 [2.600]	26	5-641127-6
63.50 [2.500]	25	5-641127-5
60.96 [2.400]	24	5-641127-4
58.42 [2.300]	23	5-641127-3
55.88 [2.200]	22	5-641127-2
53.34 [2.100]	21	5-641127-1
50.80 [2.000]	20	5-641127-0
48.26 [1.900]	19	4-641127-9
45.72 [1.800]	18	4-641127-8
43.18 [1.700]	17	4-641127-7
40.64 [1.600]	16	4-641127-6
38.10 [1.500]	15	4-641127-5
35.56 [1.400]	14	4-641127-4
33.02 [1.300]	13	4-641127-3
30.48 [1.200]	12	4-641127-2
27.94 [1.100]	11	4-641127-1
25.40 [1.000]	10	4-641127-0
22.86 [.900]	9	3-641127-9
20.32 [.800]	8	3-641127-8
17.78 [.700]	7	3-641127-7
15.24 [.600]	6	3-641127-6
12.70 [.500]	5	3-641127-5
10.16 [.400]	4	3-641127-4
7.62 [.300]	3	3-641127-3
5.08 [.200]	2	3-641127-2
DIM (L)	NO.OF POSN	ASSEMBLY

71.12 [2.800]	28	2-641127-8	△16	SUPERSEDED BY 5-641127-8
68.58 [2.700]	27	2-641127-7	△16	SUPERSEDED BY 5-641127-7
66.04 [2.600]	26	2-641127-6	△16	SUPERSEDED BY 5-641127-6
63.50 [2.500]	25	2-641127-5	△16	SUPERSEDED BY 5-641127-5
60.96 [2.400]	24	2-641127-4	△16	SUPERSEDED BY 5-641127-4
58.42 [2.300]	23	2-641127-3	△16	SUPERSEDED BY 5-641127-3
55.88 [2.200]	22	2-641127-2	△16	SUPERSEDED BY 5-641127-2
53.34 [2.100]	21	2-641127-1	△16	SUPERSEDED BY 5-641127-1
50.80 [2.000]	20	2-641127-0	△16	SUPERSEDED BY 5-641127-0
48.26 [1.900]	19	1-641127-9	△16	SUPERSEDED BY 4-641127-9
45.72 [1.800]	18	1-641127-8	△16	SUPERSEDED BY 4-641127-8
43.18 [1.700]	17	1-641127-7	△16	SUPERSEDED BY 4-641127-7
40.64 [1.600]	16	1-641127-6	△17	SUPERSEDED BY 4-641127-6
38.10 [1.500]	15	1-641127-5	△16	SUPERSEDED BY 4-641127-5
35.56 [1.400]	14	1-641127-4	△16	SUPERSEDED BY 4-641127-4
33.02 [1.300]	13	1-641127-3	△16	SUPERSEDED BY 4-641127-3
30.48 [1.200]	12	1-641127-2	△17	SUPERSEDED BY 4-641127-2
27.94 [1.100]	11	1-641127-1	△16	SUPERSEDED BY 4-641127-1
25.40 [1.000]	10	1-641127-0	△16	SUPERSEDED BY 4-641127-0
22.86 [.900]	9	-641127-9	△17	SUPERSEDED BY 3-641127-9
20.32 [.800]	8	-641127-8	△16	SUPERSEDED BY 3-641127-8
17.78 [.700]	7	-641127-7	△16	SUPERSEDED BY 3-641127-7
15.24 [.600]	6	-641127-6	△16	SUPERSEDED BY 3-641127-6
12.70 [.500]	5	-641127-5	△17	SUPERSEDED BY 3-641127-5
10.16 [.400]	4	-641127-4	△17	SUPERSEDED BY 3-641127-4
7.62 [.300]	3	-641127-3	△17	SUPERSEDED BY 3-641127-3
5.08 [.200]	2	-641127-2	△17	SUPERSEDED BY 3-641127-2
DIM (L)	NO.OF POSN	ASSEMBLY		

RECOMMENDED MOUNTING HOLE PATTERN FOR 1.60 [.063] THICK P.C. BOARD △2

THIS DRAWING IS A CONTROLLED DOCUMENT. DIN S. HOOVER 26-JAN-2005
 CJK D. ROSSI 26-JAN-2005
 APVO D. ROSSI 26-JAN-2005

TE Connectivity
 MTA-100 HEADER ASSEMBLY, FRICTION LOCK, NOTCHED, .025 SQUARE RIGHT ANGLE POST, .000015 GOLD PLATED

APPLIC. SPEC: PRODUCT SPEC
 MATERIAL: △7
 FINISH: △7

SIZE: A1
 CAGE CODE: 00779
 DRAWING NO: 641127
 WEIGHT: CUSTOMER DRAWING
 SCALE: 8:1
 SHEET: 1 of 1
 REV: AC2