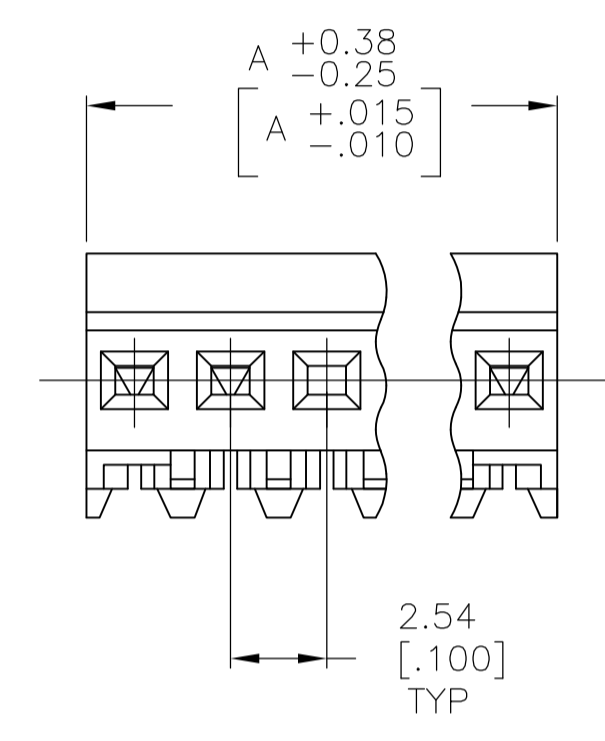
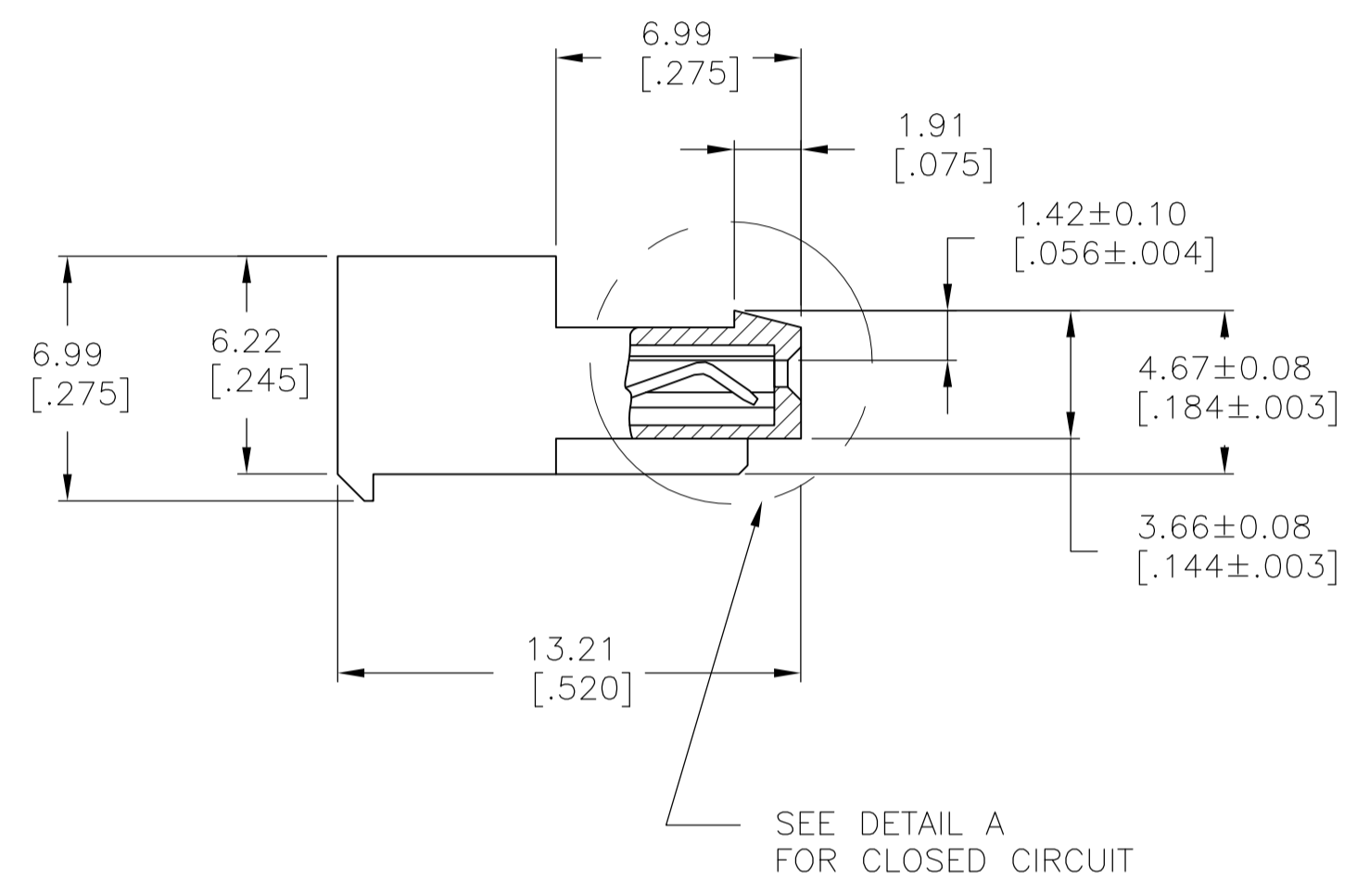
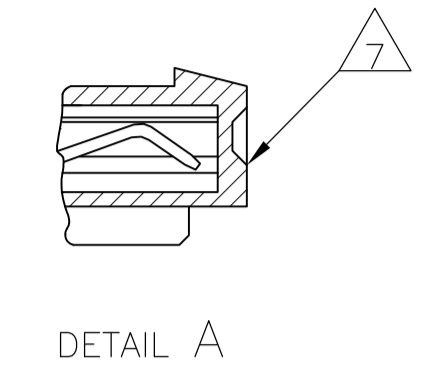
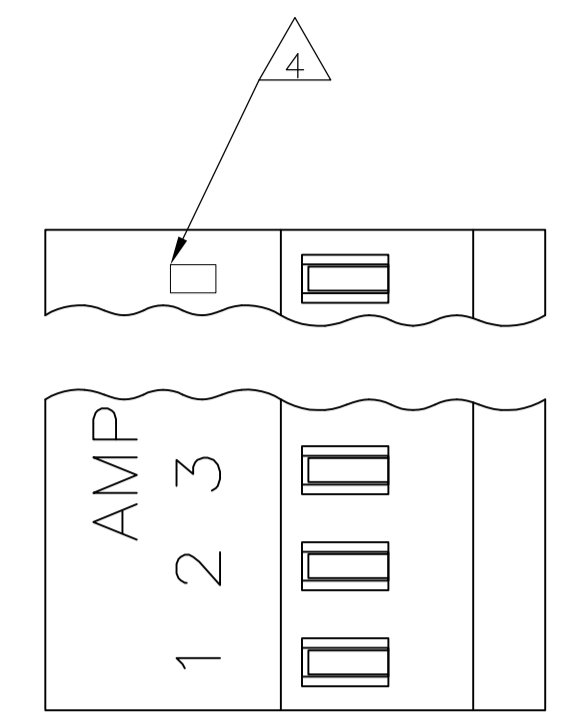


REVISIONS					
P	LTR	DESCRIPTION	DATE	DMN	APVD
T2		REVISED PER ECR-18-003423	29MAR2018	BDA	SG



- 1 MATERIAL: CONNECTOR - NYLON UL94V-2 (WHITE).
 CONTACTS - 0.30[.012] THICK COPPER ALLOY
 MATTE WHISKER MITIGATED TIN
 0.00203[.000080] MIN THICKNESS
 OVER NICKEL UNDERPLATE OR BRIGHT
 TIN-LEAD 93/7 0.00203[.000080] MIN
 THICKNESS. SEE FINISH COLUMN FOR
 PLATING TYPE.
- 2. CONTACTS ACCEPT 24 AWG WIRE WITH 1.52[.060] MAX
 INSULATION DIAMETER.
- 3. CONTACTS MUST ACCEPT 0.64±0.03 [.025±.001] SQUARE
 POST AND REMAIN LOCKED IN POSITION.
- 4 IDENTIFICATION NUMBER FOR LAST CIRCUIT MAY
 NOT APPEAR ON ALL ASSEMBLIES.
- 5. DIMENSIONS IN BRACKETS ARE IN INCHES.
- 6. HOUSING FEATURES ARE: CLOSED END WITH LOCKING
 RAMP.
- 7 DETAIL A SHOWS CIRCUIT NO.3 MOLDED CLOSED.
- 8 OBSOLETE PARTS: OBSOLETE CIS STREAMLINING PER D.RENAUD/D.SINISI
- 9 OBSOLETE PARTS

FINISH	DIM A	NO OF CIRCUITS	PART NO
TIN	12.70 [.500]	5	3-641818-5
TIN	10.16 [.400]	4	3-641818-4
TIN-LEAD	12.70 [.500]	5	641818-5
TIN-LEAD	10.16 [.400]	4	641818-4

⚠ SUPERSEDED
 ⚠ SUPERSEDED

THIS DRAWING IS A CONTROLLED DOCUMENT.

DIMENSIONS: mm [INCHES]	TOLERANCES UNLESS OTHERWISE SPECIFIED: 0. PLC ± - 1. PLC ± - 2. PLC ± - 3. PLC ± .13 [.005] 4. PLC ± - ANGLES ± -	DMN B. LEWIS 22 APR 91	APVD R. SWING 22 APR 91	NAME G. MILLER 22 APR 91	RESTRICTED TO
MATERIAL		FINISH		SIZE A1	WEIGHT 00779
1		1		SCALE 5:1	SHEET 1 OF 1

CUSTOMER DRAWING

TE Connectivity Ltd.
 MTA-100 CONNECTOR ASSEMBLY,
 24 AWG, NO.3 CIRCUIT CLOSED,
 SPECIAL

114-1019

641818

REV T2