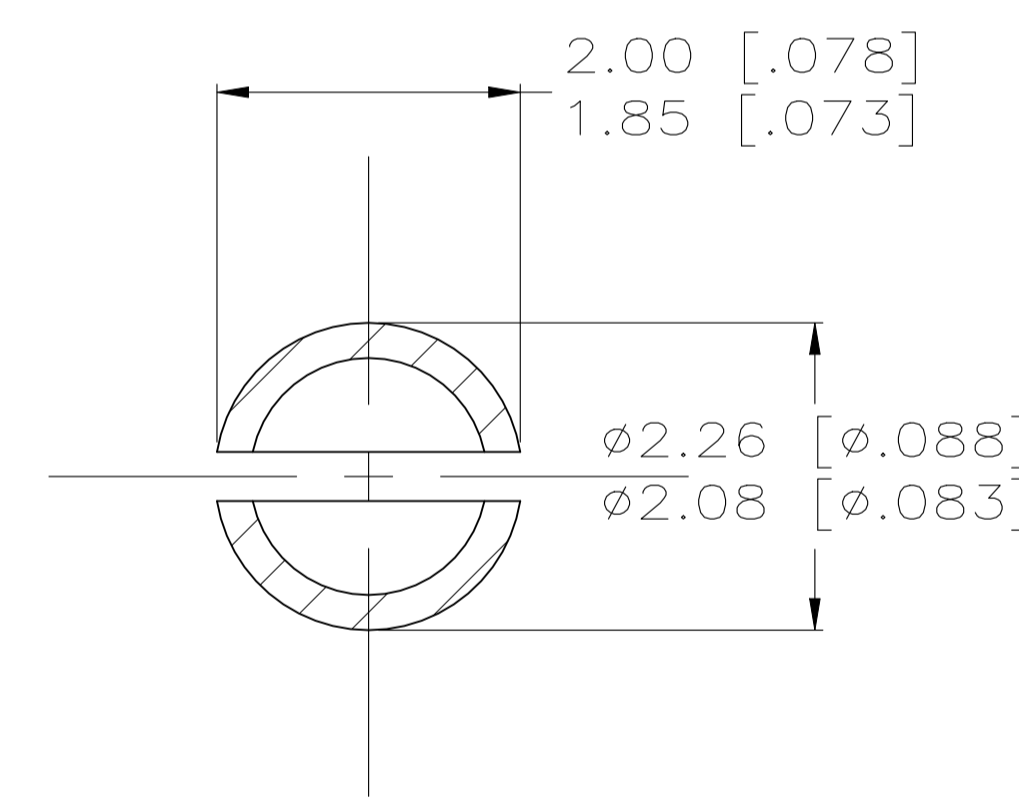
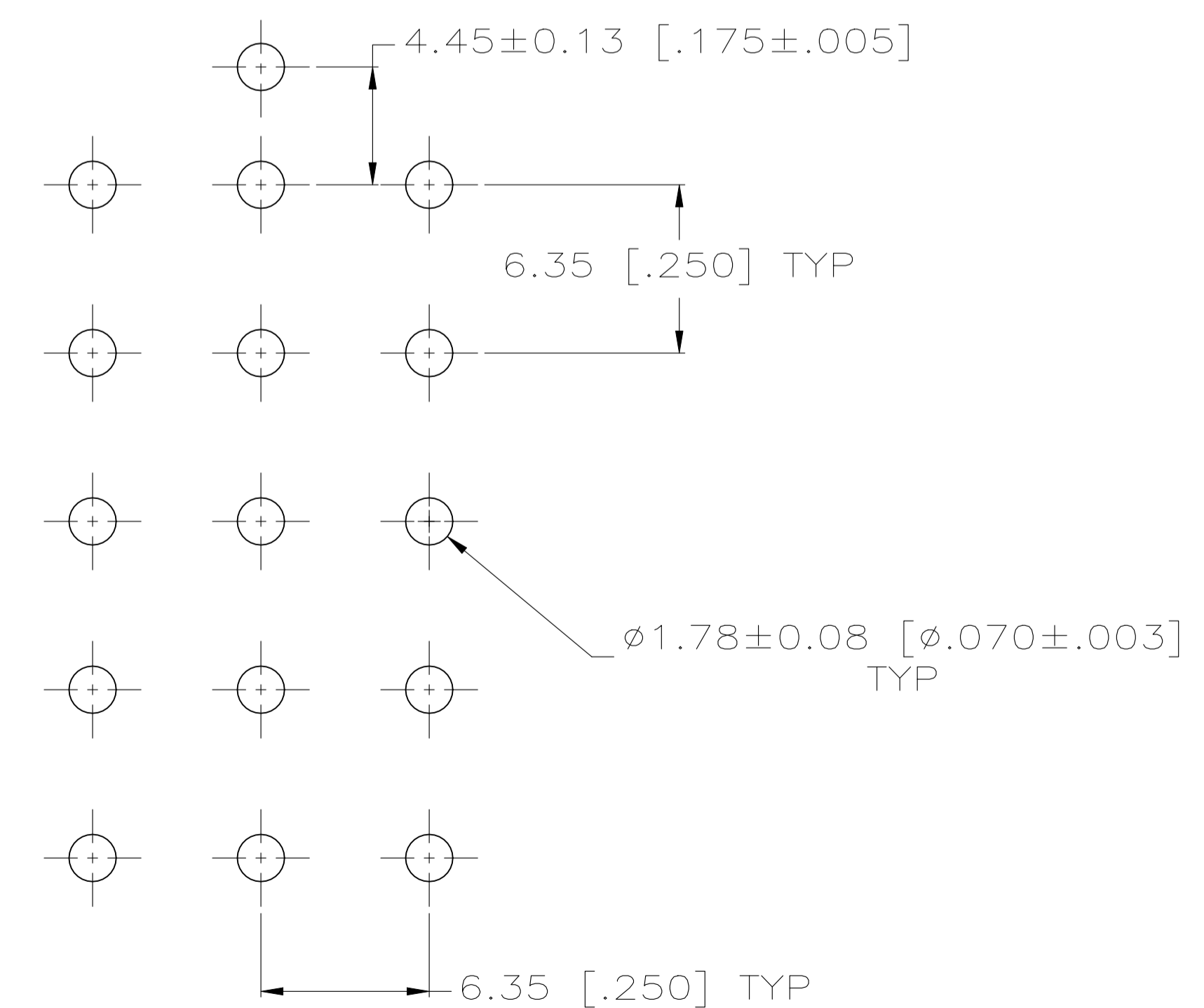


- REVISIONS
- | REV | DATE      | DESCRIPTION               | BY  | APP'D |
|-----|-----------|---------------------------|-----|-------|
| K3  | 22JUL2022 | REVISED PER ECR-21-118222 | AVN | VS    |
- PARTS MUST COMPLY WITH AMP SOLDERABILITY SPEC 109-11-3.
  - MATES WITH HOUSING NO. 350736 USING SOCKET CONTACTS.
  - CONTACT IS STAMPED FROM PRE-PLATED STOCK WHICH IS PLATED OVERALL WITH 0.00127 [.000050] NICKEL, THEN STRIPED WITH 0.00076 [.000030] GOLD IN CONTACT AREA INDICATED AND TIN-LEAD ON SOLDER TAIL END.
  - CONTACT IS PLATED OVERALL WITH 0.00127 [.000050] NICKEL, THEN 0.00076 [.000030] GOLD OVER CONTACT LENGTH INDICATED AND MATTE TIN ON SOLDER TAIL END.
  - SUPERSEDED BY 641976-4
  - DIMENSIONS SHOWN REPRESENT PRODUCT IN DRY CONDITION. ADDITIONAL 2% GROWTH DUE TO END USE LOCATION MOISTURE ABSORPTION MAY OCCUR AND SHOULD BE ACCOUNTED FOR.

0.25 [.010] MAX CUT-OFF



SECTION A-A  
SCALE 12:1



RECOMMENDED LAYOUT FOR 1.58 [.062] THICK PC BOARD

PH BRZ GOLD <sup>4</sup>	NYLON, UL94V-0	641976-4
PH BRZ GOLD <sup>3</sup>	NYLON, UL94V-0	641976-2
PH BRZ TIN	NYLON, UL94V-0	641976-1
CONTACT	HOUSING	PART NO

THIS DRAWING IS A CONTROLLED DOCUMENT.		DIN K. WHITAKER 14OCT2005	TE Connectivity
DIMENSIONS: mm [INCHES]		CHK S. RIDGILL 19-NOV-2003	
TOLERANCES UNLESS OTHERWISE SPECIFIED:		APP'D S. RIDGILL 19-NOV-2003	NAME
0. PLC ±	1. PLC ±	PRODUCT SPEC	APPLICATION SPEC
2. PLC ±	3. PLC ± 0.13 [.005]	SIZE	CAGE CODE
4. PLC ±	ANGLES ±	WEIGHT	DRAWING NO
SEE CHART	FINISH	0.000000	A100779C=641976
CUSTOMER DRAWING		SCALE 5:1	SHEET 1 of 1 REV K3