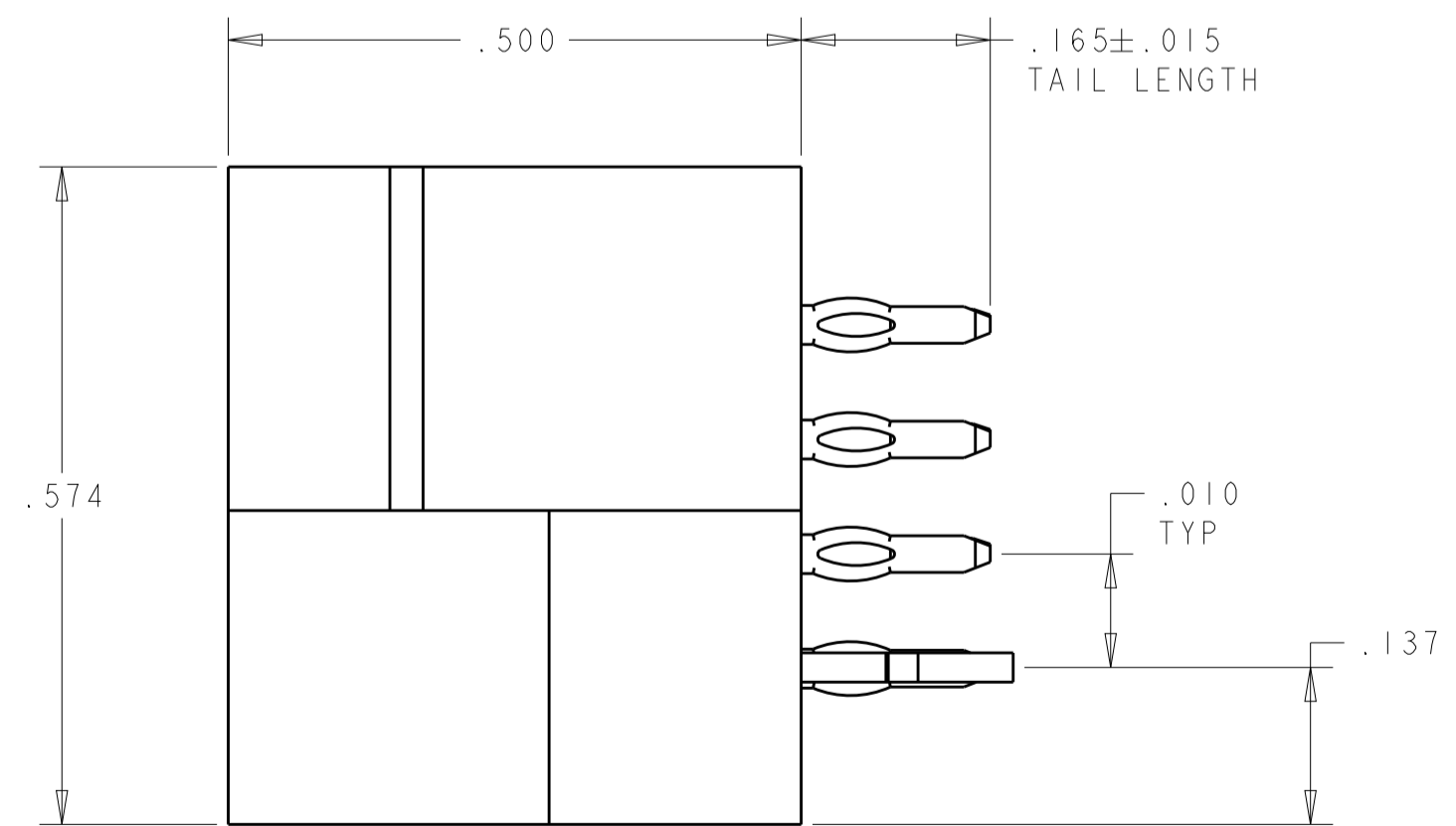
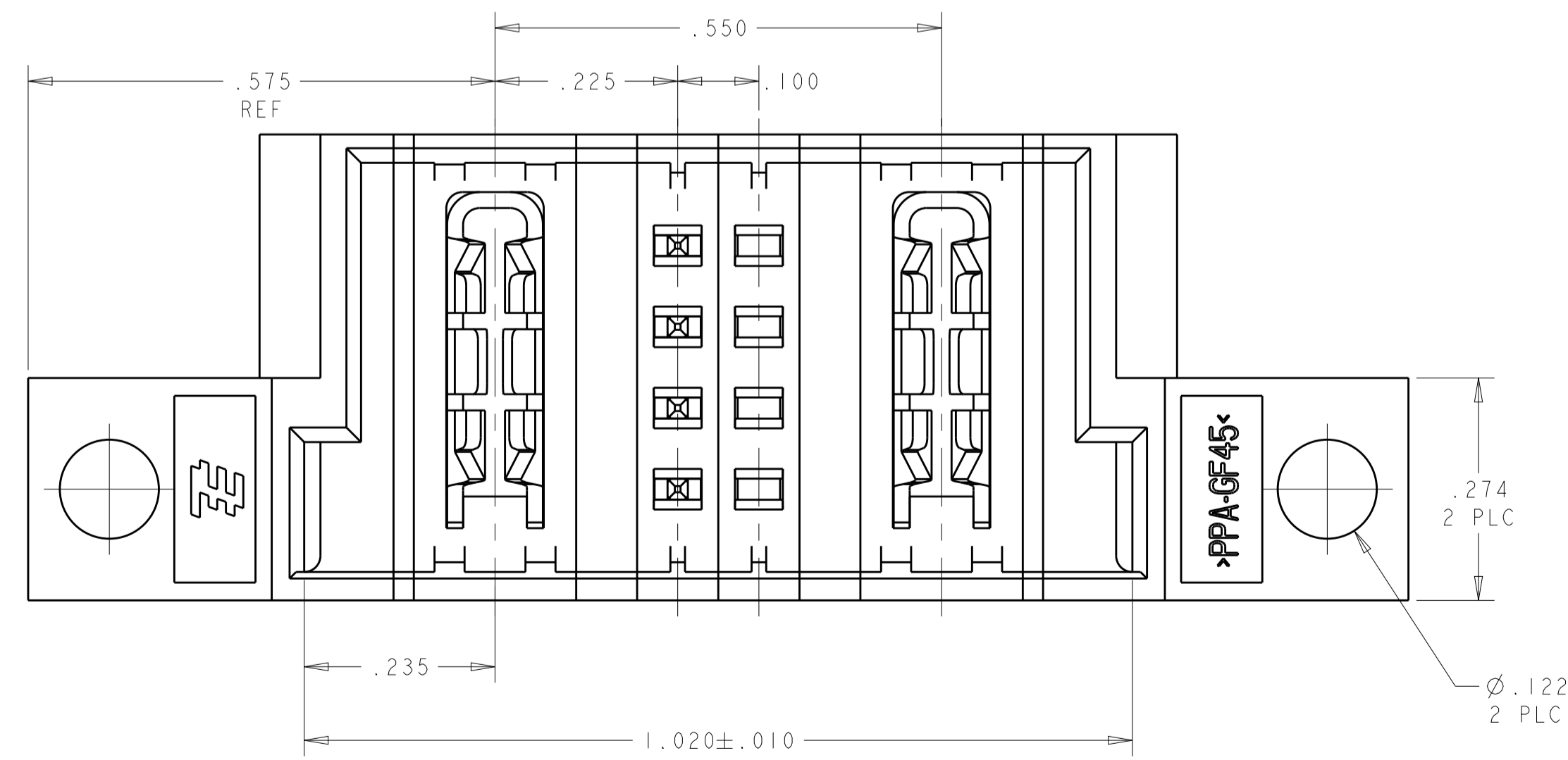
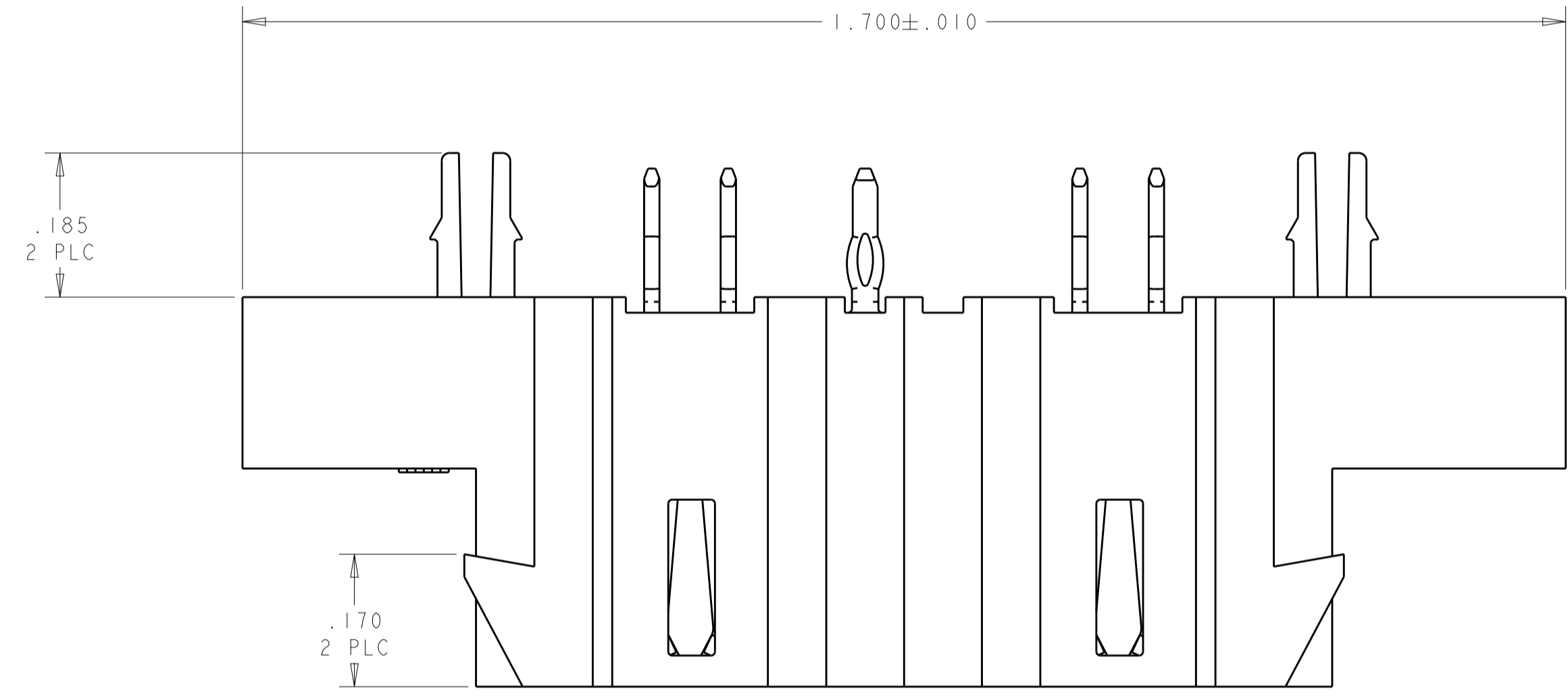
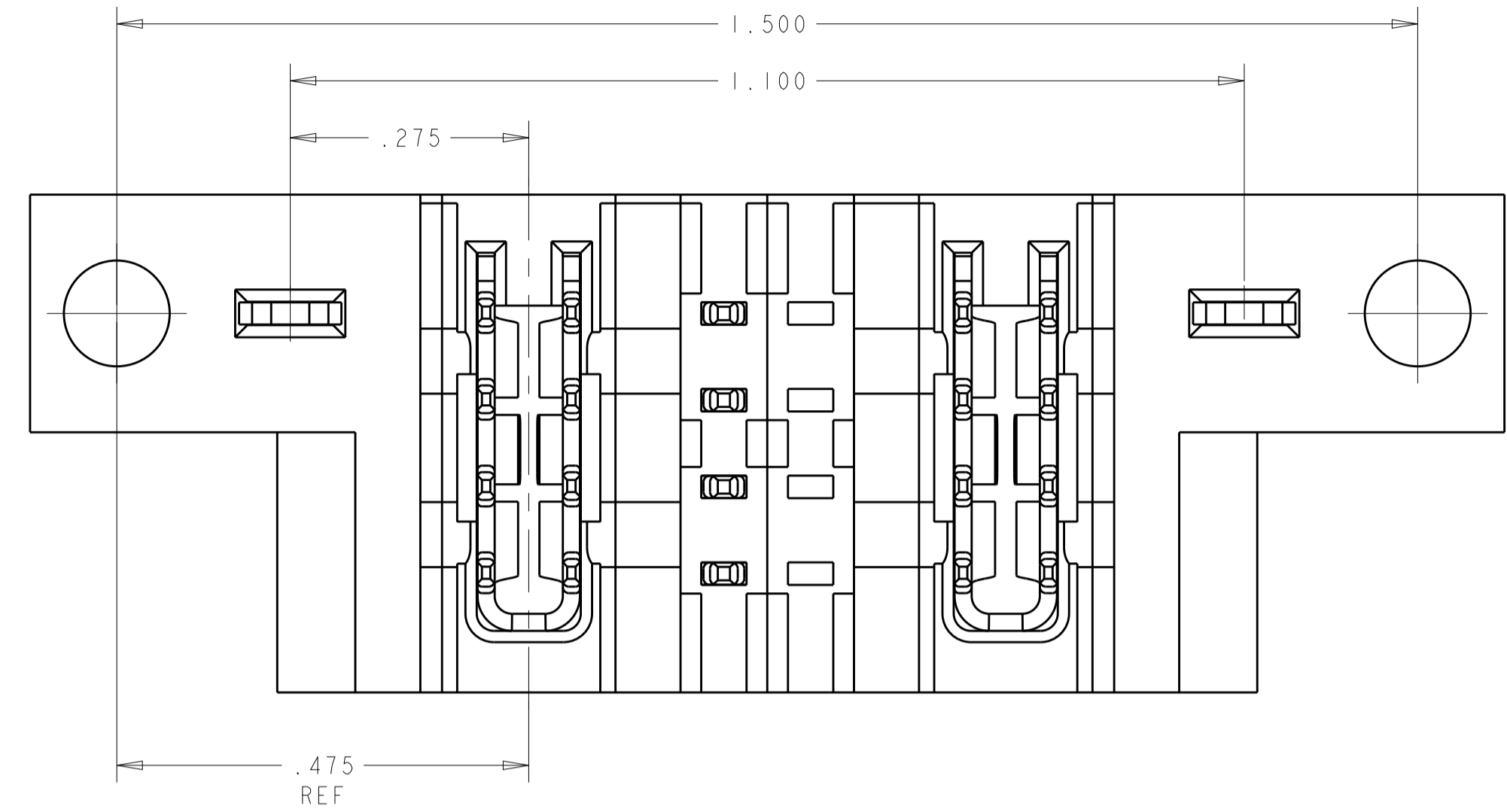


LOC	DIST	REVISIONS					
		P	LTN	DESCRIPTION	DATE	DWN	APVD
ES	00	A		INITIAL RELEASED	18AUG2013	AY	SZ



- 1 HEADER HOUSING: THERMO PLASTIC, BLACK, UL94 V-0; CONTACTS AND RETENTION CLIPS: COPPER ALLOY.
- 2 CONTACT PLATING:
 SIGNAL CONTACTS - .000050 MIN Ni UNDER ALL
 .000003 MIN Au OVER .000027 MIN Pd/Ni ON CONTACT AREA
 .000100 MIN MATTE Sn AT PCB INTERFACE
 POWER CONTACTS - .000050 MIN Ni UNDER ALL
 .000003 MIN Au OVER .000027 MIN Pd/Ni ON CONTACT AREA
 .000100 MIN MATTE Sn AT PCB INTERFACE
- 3 "AMP", PART NUMBER AND DATE CODE MARKED IN THIS AREA. PARTS UNDER 2.50 LONG MAY BE MARKED ON BOTH SIDES.
- 4 DATUM AND BASIC DIMENSIONS ESTABLISHED BY CUSTOMER.
- 5 PCB - ALL HOLE DIAMETERS ARE FINISHED HOLE SIZES.
- 6 A SEATING TOOL IS REQUIRED TO SEAT THE HEADER ON THE P.C. BOARD. PLEASE REFER TO THE 114-13251 APPLICATION SPEC.
- 7 MECHANICAL CONNECTOR KEEP OUT ZONE.

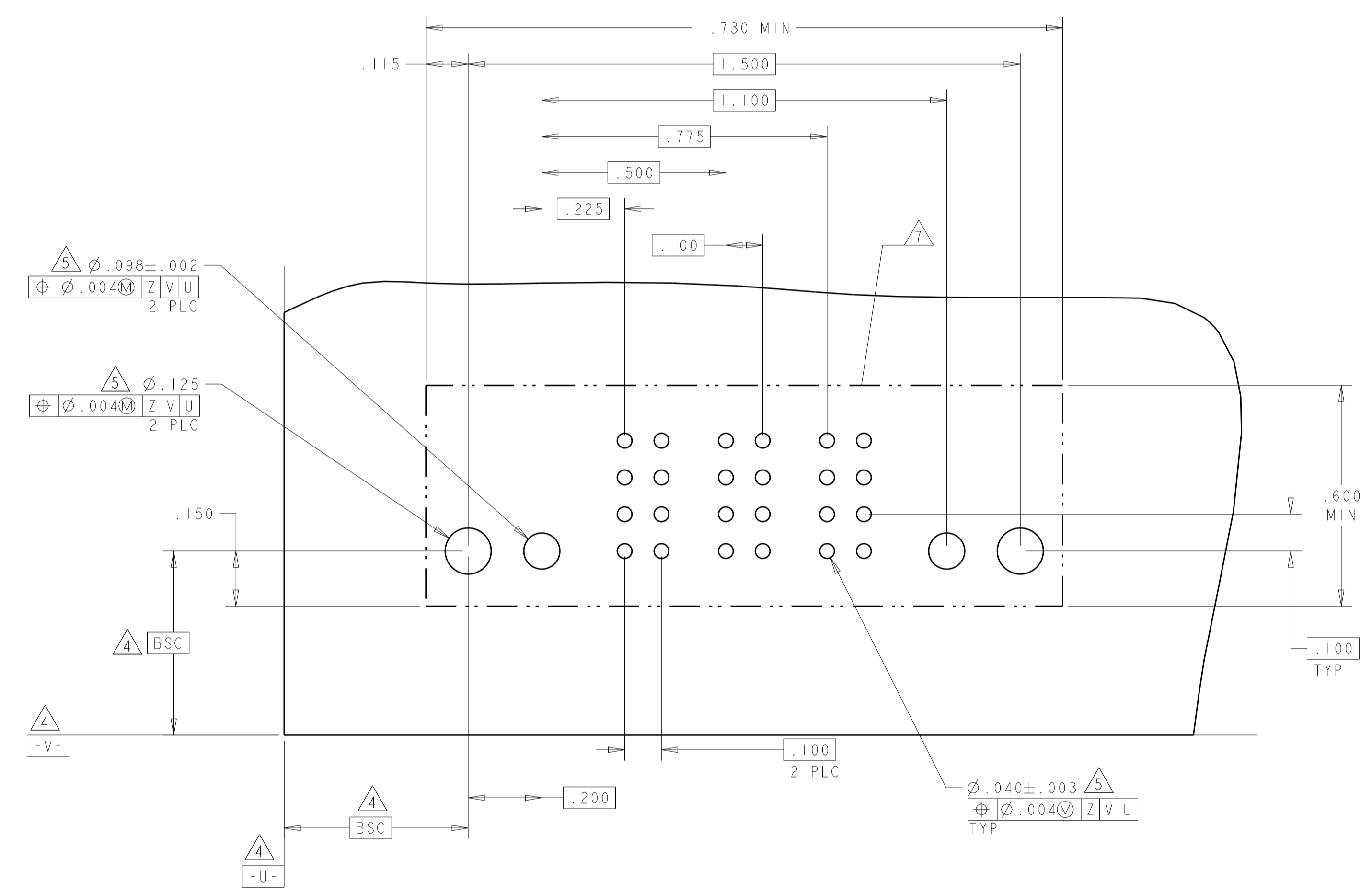
YES	IP + 8S + IP	6450824-2
RETENTION CLIP	DESCRIPTION	PART NUMBER

THIS DRAWING IS A CONTROLLED DOCUMENT.		DWN C. ZHOU CHK S. ZHAO APVD	18DEC2012		
DIMENSIONS: INCHES	TOLERANCES UNLESS OTHERWISE SPECIFIED:	PRODUCT SPEC 108-2292 APPLICATION SPEC 114-13251		NAME VERTICAL PLUG ASSEMBLY W/ LATCH RECEIVER, PRESS FIT, TYPE P/S/P MULTI-BEAM XLE	
0 PLC ±. 1 PLC ±.01 2 PLC ±.01 3 PLC ±.005 4 PLC ±.0020 ANGLES ±.7° FINISH	MATERIAL FINISH	SIZE A100779	CAGE CODE C=6450824	DRAWING NO 6450824-2	RESTRICTED TO SCALE 4:1 SHEET 1 OF 2 REV A
CUSTOMER DRAWING					

LOC		DIST		REVISIONS			
ES	00	P	LTN	DESCRIPTION	DATE	DWN	APVD
-	-	-	-	SEE SHEET 1	-	-	-

PART NUMBER	ROWS	POWER		SIGNAL		POWER	
		P1		1	2	P2	
6450824-2	D	VM		EV		VM	
	C			EV			
	B			EV			
	A			EV			
IP+8S+IP		HD				HD	

NOT LOADED CONTACT



.165"	SIGNAL CONTACT MFBL	EF
-	HOLD DOWN	HD
.165"	SIGNAL CONTACT MLBF	ES
.165"	SIGNAL CONTACT STD	EV
.165"	POWER CONTACT	VM
TAIL LENGTH	DESCRIPTION	CODE

THIS DRAWING IS A CONTROLLED DOCUMENT.		DWN	C. ZHOU	18DEC2012
DIMENSIONS: INCHES		CHK	S. ZHAO	
TOLERANCES UNLESS OTHERWISE SPECIFIED:		APVD		
0 PLC	±	PRODUCT SPEC		
2 PLC	±.01	APPLICATION SPEC	108-2292	
3 PLC	±.005	APPLIC. SPEC	114-13251	
4 PLC	±.0020	WEIGHT		
ANGLES	±.2°	FINISH		
MATERIAL		CUSTOMER DRAWING	SCALE 4:1 SHEET 2 OF 2 REV A	

TE TE Connectivity

NAME: VERTICAL PLUG ASSEMBLY W/ LATCH RECEIVER, PRESS FIT, TYPE P/S/P MULTI-BEAM XLE

SIZE: A100779 C=6450824