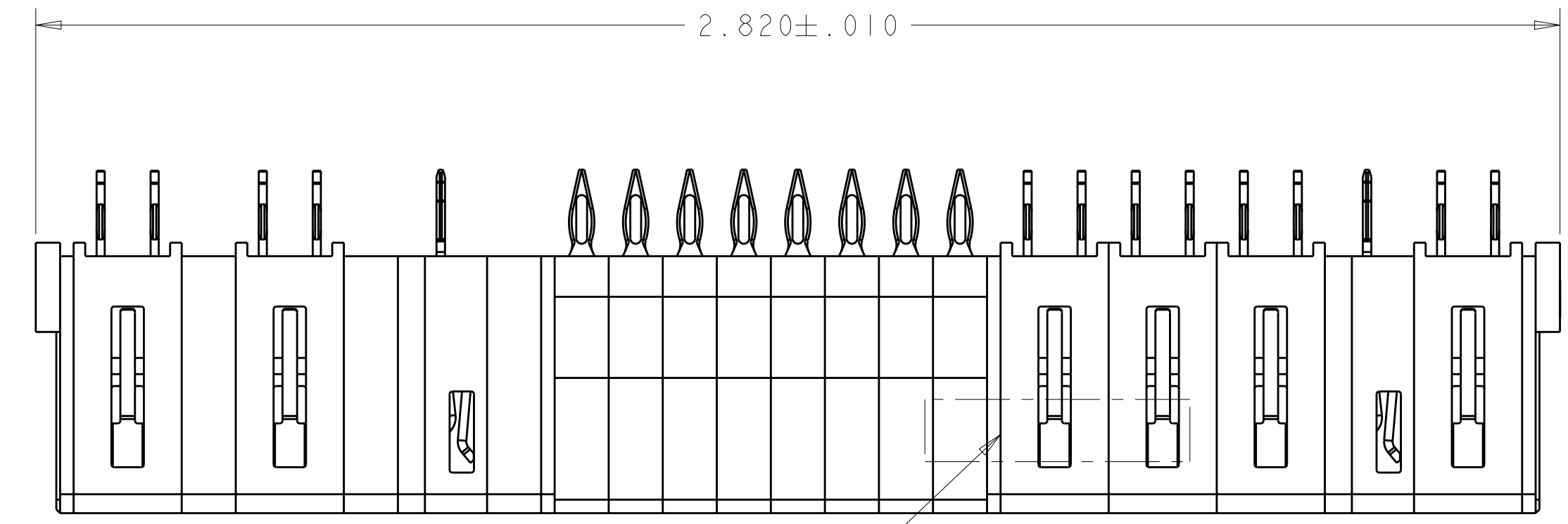
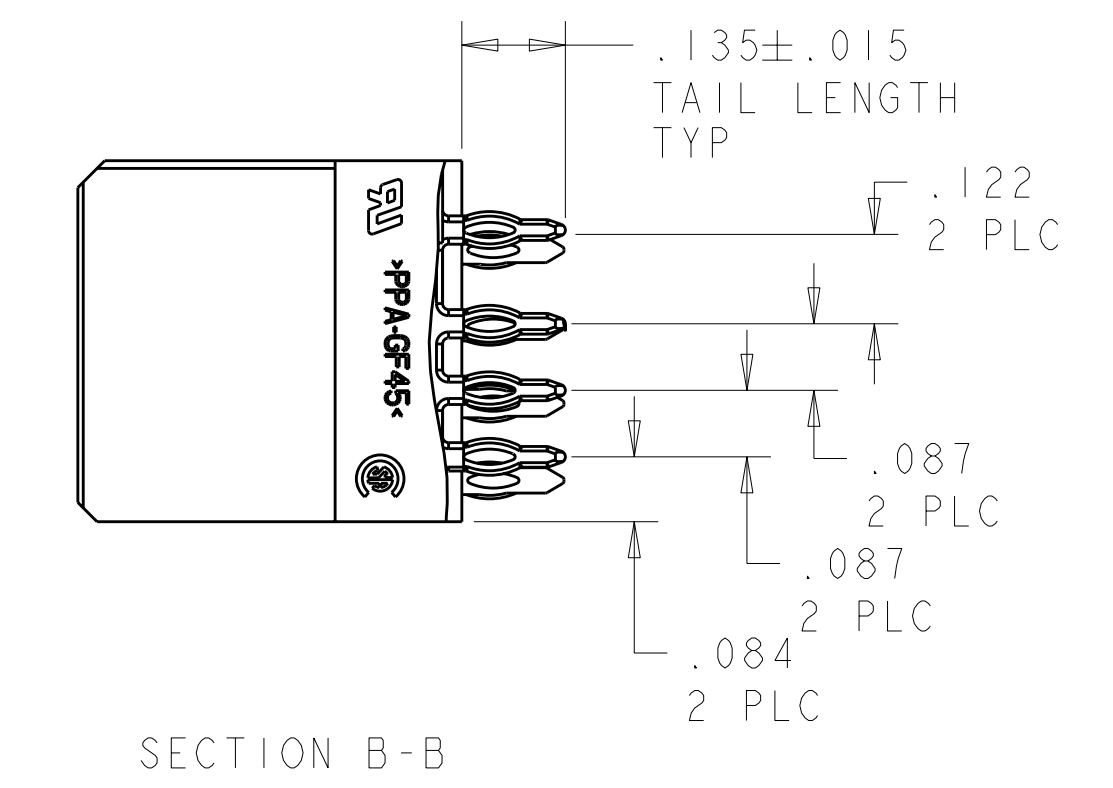
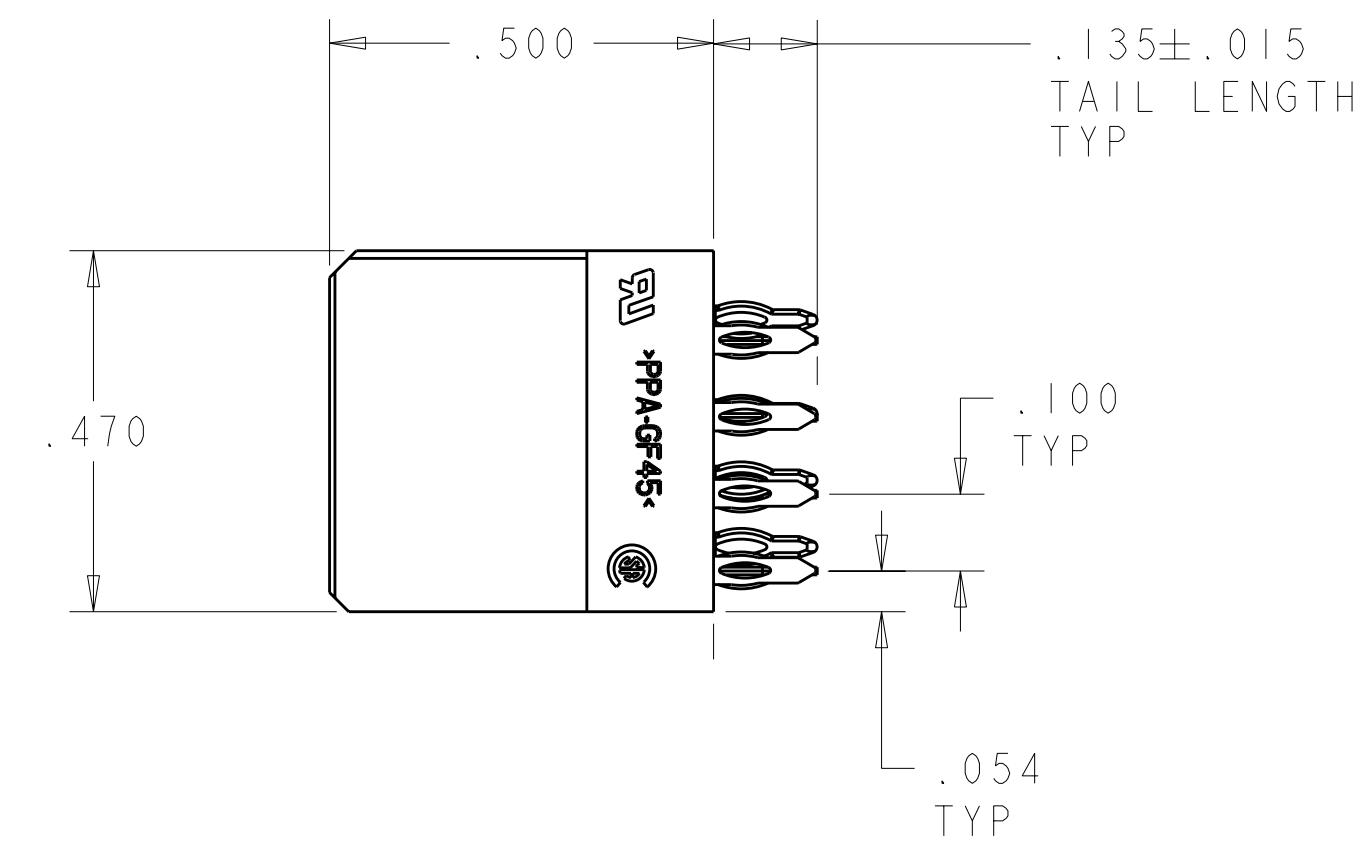
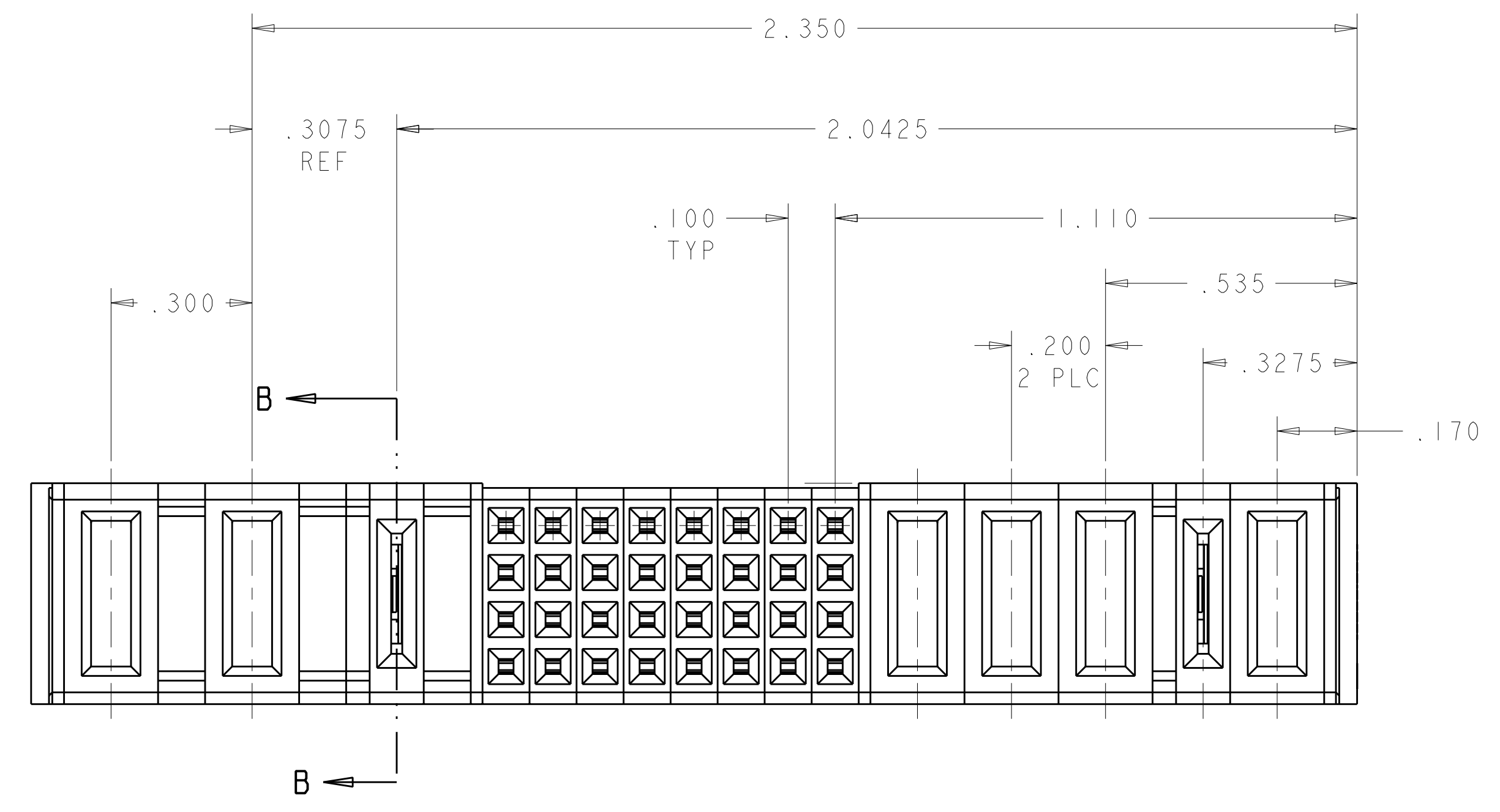


LOC	DIST	REVISIONS			
ES	00	REV	DATE	DWN	APVD
		A	REV PER ECR-10-003012	20FEB2010	CZ SY



- ① "AMP", PART NUMBER AND DATE CODE TO BE MARKED IN AREA SHOWN PARTS UNDER 2.00 LONG MAY BE MARKED ON BOTH SIDES
- ② MATERIAL: HOUSING - GLASS FILLED HIGH TEMP THERMO PLASTIC, UL94 V-0
 SIGNAL CONTACT - HIGH CONDUCTIVITY COPPER ALLOY
 POWER CONTACT - HIGH CONDUCTIVITY COPPER ALLOY
- ③ CONTACT PLATING: SIGNAL CONTACTS - .000050 MIN Ni UNDER ALL
 .000030 MIN Au ON CONTACT AREA
 .000100 MIN Sn AT PCB INTERFACE
 POWER CONTACTS - .000050 MIN Ni UNDER ALL
 .000030 MIN Au ON CONTACT AREA
 .000100 MIN Sn AT PCB INTERFACE
- ④ MECHANICAL CONNECTOR KEEP OUT ZONE
- ⑤ DATUM AND BASIC DIMENSIONS ESTABLISHED BY CUSTOMER
- ⑥ PCB - ALL HOLE DIAMETERS ARE FINISHED HOLE SIZES
- ⑦ PCB - 0.0453 ± .0010 DRILLED HOLES PLATED WITH .0003 MIN Sn OVER .001 TO .003 Cu PLATING TO ACHIEVE A .040 ± .003 HOLE

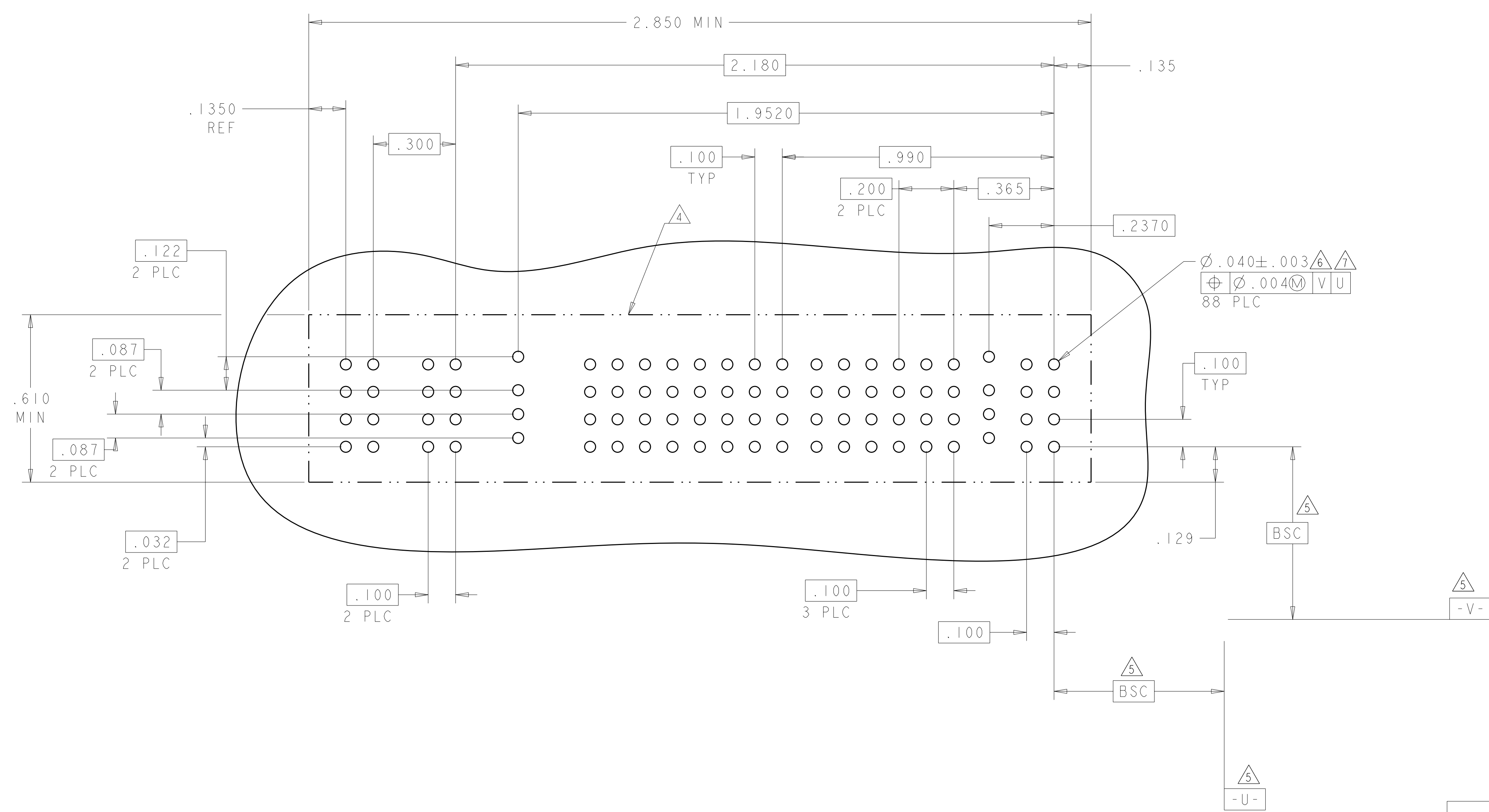


IHDP + 1LP + 3HDP + 32S + 1LP + 2ACP	6450869-9
DESCRIPTION	PART NUMBER

<small>THIS DRAWING IS UNPUBLISHED. RELEASED FOR PUBLICATION BY TYCO ELECTRONICS CORPORATION. ALL RIGHTS RESERVED.</small> <small>THIS IS SUBJECT TO CHANGE WITHOUT NOTICE AND WITHOUT OBLIGATION. TYCO ELECTRONICS CORPORATION SHALL BE CONTACTED FOR THE LATEST REVISION.</small>		DWN: C. ZHOU 18NOV2009 CHK: S. ZHAO APVD:	Tyco Electronics Shanghai, P.R.China, 200233
DIMENSIONS: INCHES TOLERANCES UNLESS OTHERWISE SPECIFIED: 9 PLC ±. 1 PLC ±.01 2 PLC ±.01 3 PLC ±.005 4 PLC ±.0020 ANGLES ±.0°	PRODUCT SPEC: 108-2292 APPLICATION SPEC: 114-13251 WEIGHT:	NAME: VER RECP ASSEMBLY, W/ LP CONTACTS WITHOUT GUIDES, PRESS FIT MULTI-BEAM XLE SIZE: A1 CAGE CODE: 00779 DRAWING NO: C=6450869-9	RESTRICTED TO:
MATERIAL:	FINISH:	CUSTOMER DRAWING	SCALE: N/A SHEET 1 OF 2 REV A

LOC		DIST		REVISIONS			
ES	00	P	LTR	DESCRIPTION	DATE	DWN	APVD
				SEE SHEET 1			

PART NUMBER	ROWS	POWER		LP	SIGNAL								POWER			LP	POWER		
		P6	P5	LP2	8	7	6	5	4	3	2	1	P4	P3	P2	LP1	PI		
6450869-9	D C B A	GS	GS	LSI	AP	AP	AP	AP	AP	AP	AP	AP	AP	AP	GS	GS	GS	LSI	GS
					AP	AP	AP	AP	AP	AP	AP	AP	AP	AP					
					AP	AP	AP	AP	AP	AP	AP	AP	AP	AP					
					AP	AP	AP	AP	AP	AP	AP	AP	AP	AP					
IP + 1LP + 3HDP + 32S + 1LP + 2ACP																			



HD	HOLD DOWN
LSI	LOW POWER PRESS FIT CONTACTS .135 TAIL LENGTH
GS	STD POWER PRESS FIT CONTACT .135 TAIL LENGTH
AP	SIGNAL PRESS FIT CONTACT .135 TAIL LENGTH
CODE	TAIL LENGTH

CONTACT TABLE

<small>THIS DRAWING IS UNPUBLISHED. RELEASED FOR PUBLICATION. THIS DRAWING IS UNPUBLISHED. RELEASED FOR PUBLICATION. THIS DRAWING IS UNPUBLISHED. RELEASED FOR PUBLICATION.</small> <small>THIS IS SUBJECT TO CHANGE WITHOUT NOTICE AND WITHOUT OBLIGATION. DIMENSIONS SHALL BE CONTACTED FOR THE LATEST REVISION.</small>		DWN: C. ZHOU 18NOV2009 CHK: S. ZHAO APVD:	Tyco Electronics Shanghai, P.R.China, 200233
DIMENSIONS: INCHES	TOLERANCES UNLESS OTHERWISE SPECIFIED: 9 PLC ±. 1 PLC ±.01 2 PLC ±.01 3 PLC ±.005 4 PLC ±.0020 ANGLES ±.0°	PRODUCT SPEC: 108-2292 APPLICATION SPEC: 114-13251 WEIGHT:	NAME: VER RECP ASSEMBLY, W/ LP CONTACTS WITHOUT GUIDES, PRESS FIT MULTI-BEAM XLE SIZE: A11 CAGE CODE: 00779 DRAWING NO: C=6450869-9 RESTRICTED TO:
MATERIAL:	FINISH:	CUSTOMER DRAWING	SCALE: N/A SHEET 2 OF 2 REV A