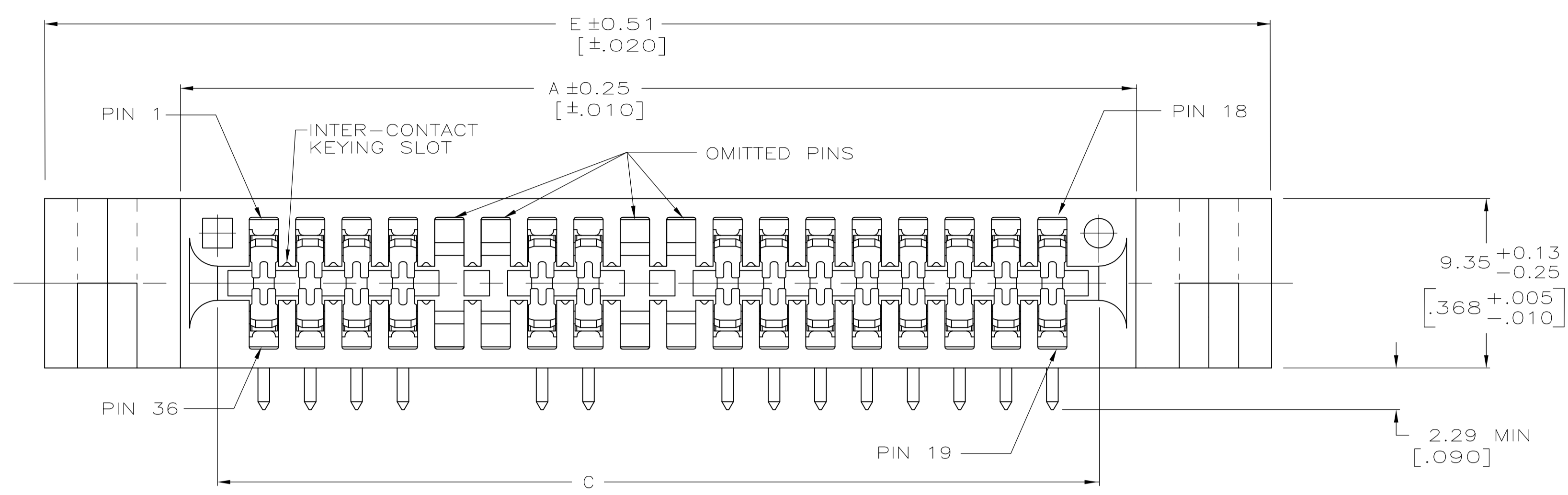
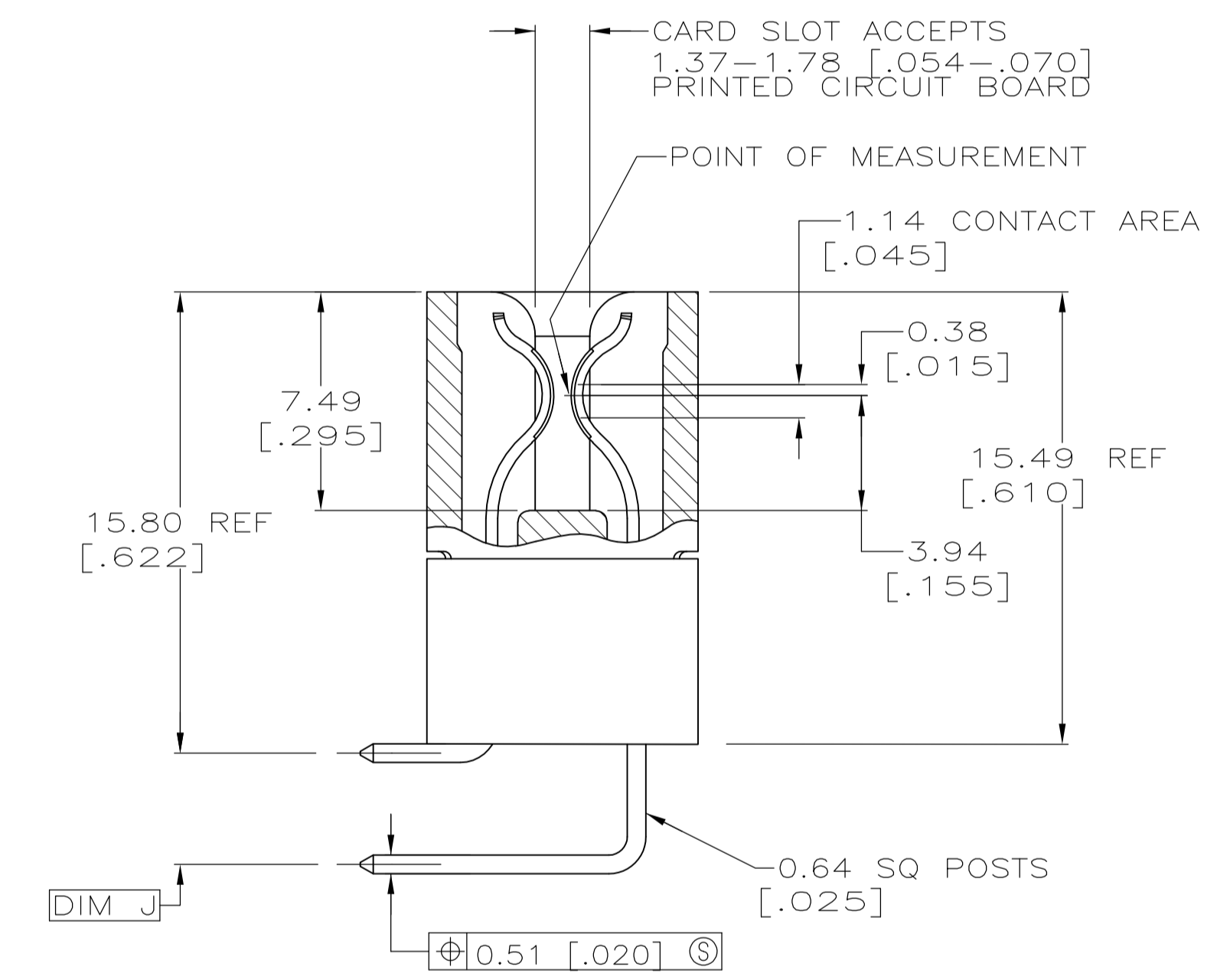
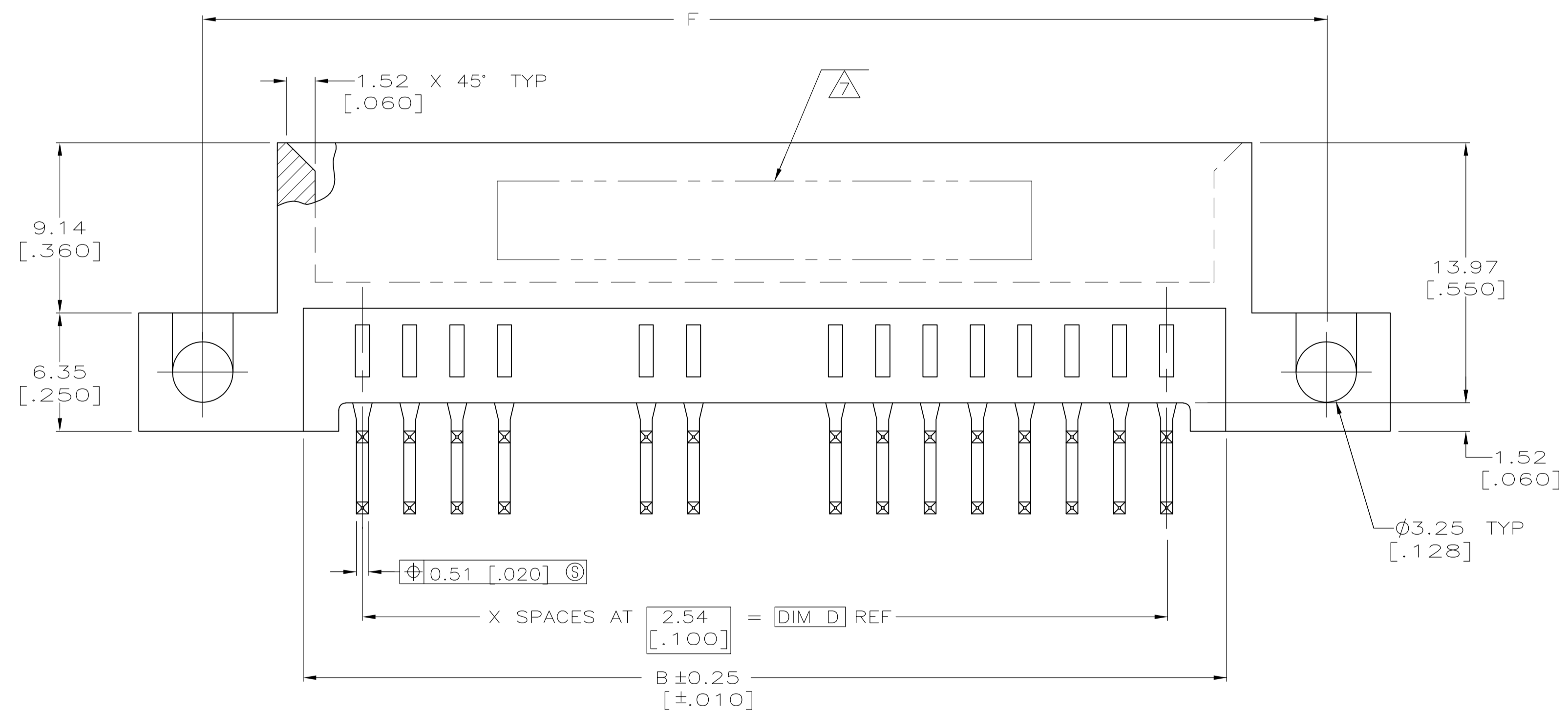


LOC		DIST		REVISIONS			
GP	00	F	LTR	DESCRIPTION	DATE	DWN	APVD
		S		REV PER ECO-07-013883	14JUN07	JRP	AWF
		S1		REVISED PER ECO-09-021510	14SEP09	KK	AEG



- ① HOUSING: GLASS FILLED POLYESTER; COLOR: BLACK.
- ② CONTACT: PHOSPHOR BRONZE.
- ③ NICKEL UNDERPLATE: 0.00127 [.000050] MIN ALL OVER PER MIL-G-45204.
- ④ TIN-LEAD PLATE: 0.00254 [.000100] MIN - SOLDER POSTS.
- ⑤ GOLD PLATE: 0.00076 [.000030] MIN IN THE CONTACT AREA PER QQ-N-290.
- ⑥ AMP PART NUMBER AND DATE CODE ARE MARKED IN APPROXIMATE AREA SHOWN, EITHER SIDE.
- ⑦ RECOMMENDED PCB FINISHED HOLE DIA: 1.07 ± 0.08 [$.042 \pm .003$].
- ⑧ OBSOLETE PARTS: OBSOLETE CIS STREAMLINING PER D.RENAUD/D.SINISI



645384-6 SHOWN

	3.81	60.32	67.18	43.18	48.26	49.53	52.32	5, 6, 9, 10	17	18	645384-6
	[.150]	[2.375]	[2.645]	[1.700]	[1.900]	[1.950]	[2.060]	27, 28, 31, 32			
OBSELETE	5.08	34.92	41.78	17.78	22.86	24.13	26.92	NONE	7	8	645384-5
	[.200]	[1.375]	[1.645]	[.700]	[.900]	[.950]	[1.060]				
OBSELETE	5.08	123.82	130.68	106.68	111.76	113.03	115.82	NONE	42	43	645384-4
	[.200]	[4.875]	[5.145]	[4.200]	[4.400]	[4.450]	[4.560]				
⚠ SUPERSEDED	3.81	65.40	72.26	48.26	53.34	54.61	57.40	NONE	19	20	645384-3
	[.150]	[2.575]	[2.845]	[1.900]	[2.100]	[2.150]	[2.260]				
OBSELETE	3.81	116.20	123.06	99.06	104.14	105.41	108.20	NONE	39	40	645384-2
	[.150]	[4.575]	[4.845]	[3.900]	[4.100]	[4.150]	[4.260]				
⚠ SUPERSEDED	3.81	60.32	67.18	43.18	48.26	49.53	52.32	NONE	17	18	645384-1
	[.150]	[2.375]	[2.645]	[1.700]	[1.900]	[1.950]	[2.060]				
	J	F	E	D	C	B	A	PINS OMITTED	X	NO OF POSN	PART NUMBER

THIS DRAWING IS A CONTROLLED DOCUMENT. DWN: AL FRANTUM 23 JUN 03
 CHK: AL FRANTUM 24 JUN 03
 TOLERANCES UNLESS OTHERWISE SPECIFIED:
 DIMENSIONS: MM
 0 PLC ± -
 1 PLC ± -
 2 PLC ± 0.13 [.005]
 3 PLC ± -
 4 PLC ± -
 ANGLES ± °

PRODUCT SPEC: 108-9039
 APPLICATION SPEC: -
 SIZE: A1
 CAGE CODE: 00779
 DRAWING NO: 645384
 WEIGHT: -
 CUSTOMER DRAWING: -

Tyco Electronics Corporation
 Harrisburg, PA 17105
 CONNECTOR ASSEMBLY
 STANDARD EDGE II,
 2.54 [.100] CL, RIGHT ANGLE
 SCALE: 5:1
 SHEET: 1 OF 1
 REV: S1