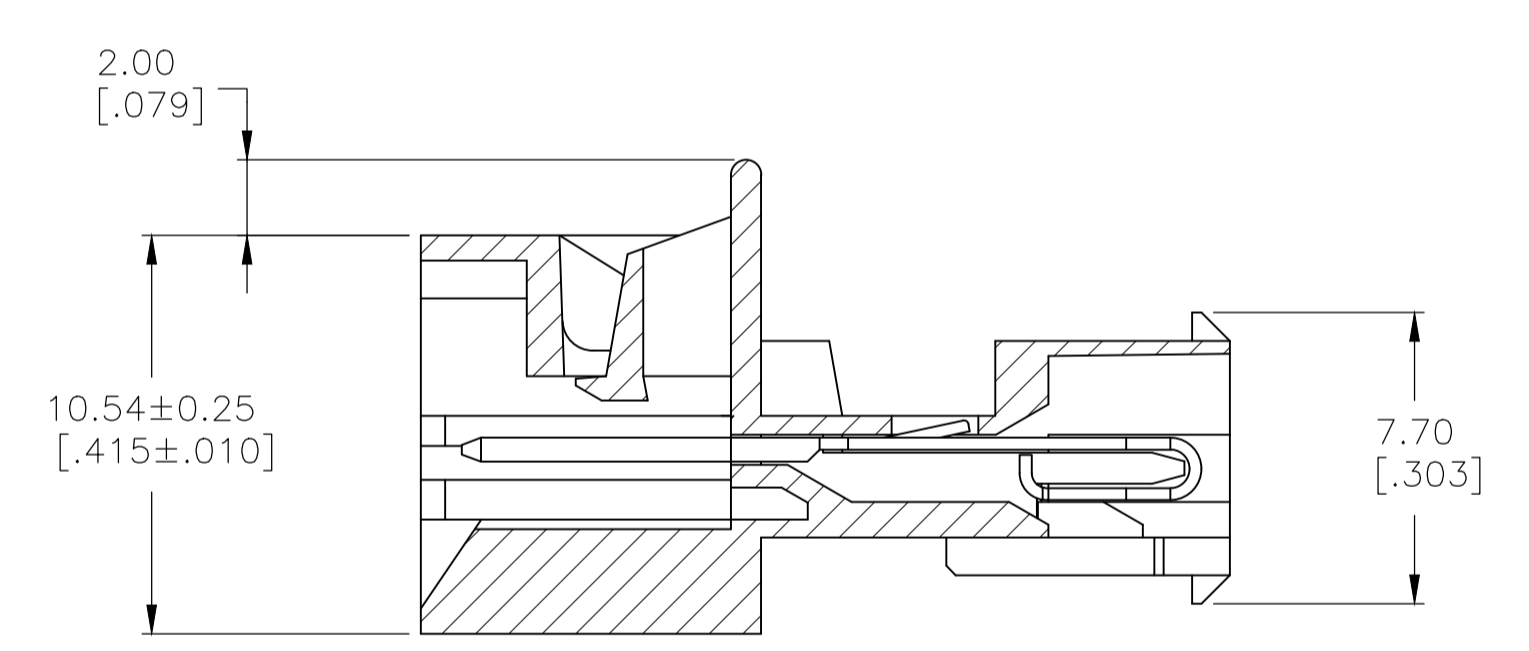
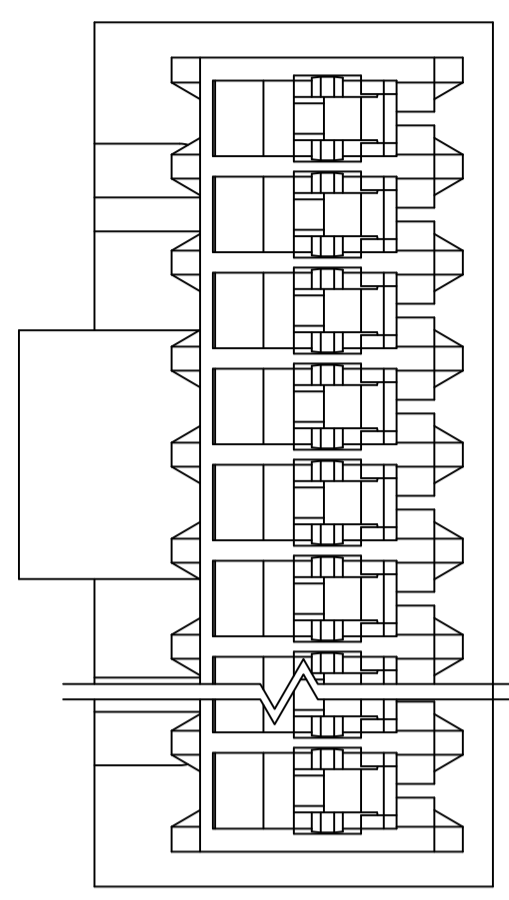
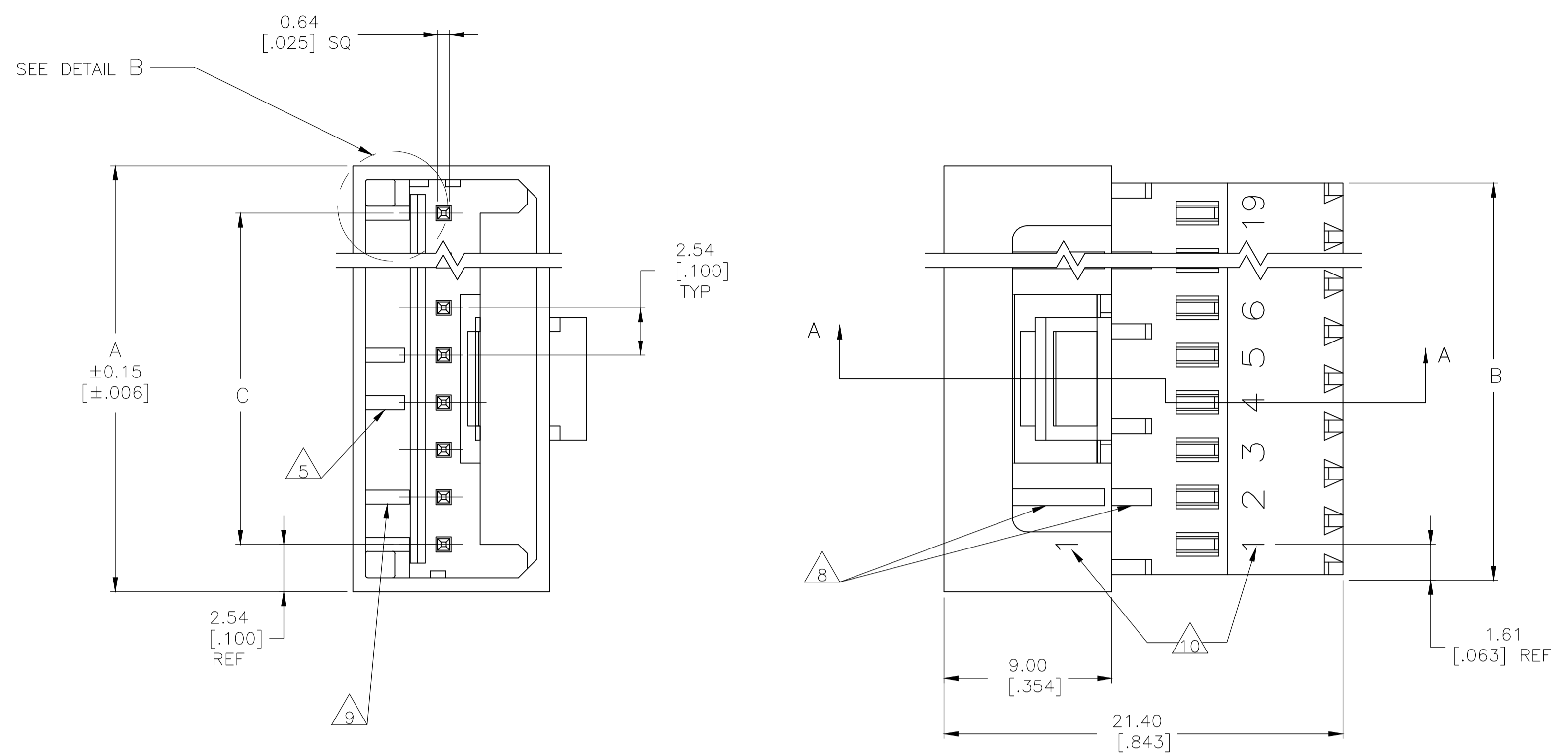
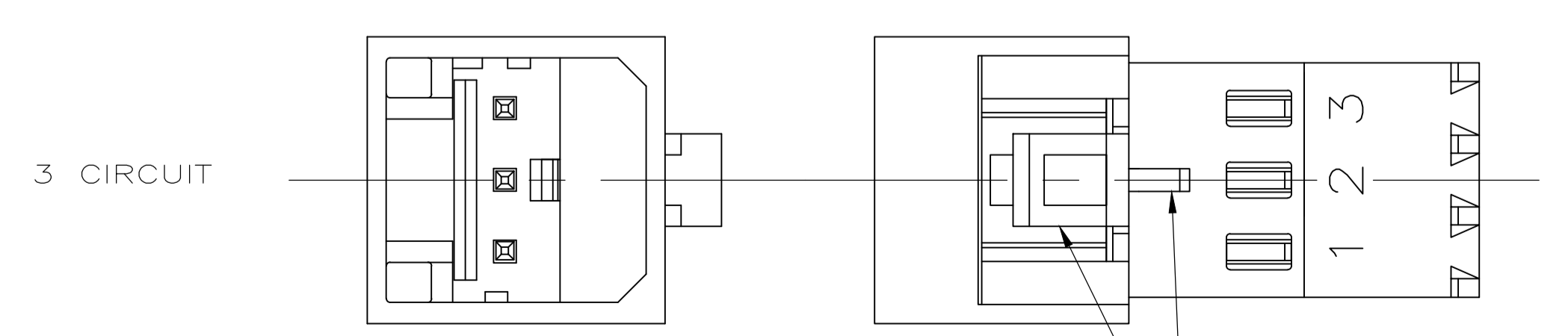
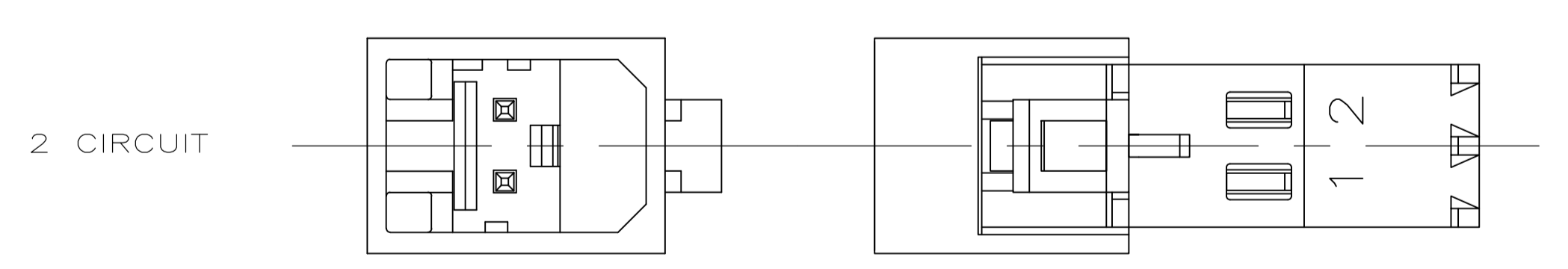


LOC		DIST		REVISIONS			
F	LTR	DESCRIPTION	DATE	DWN	APVD		
F		REVISED PER ECR-20-000808	26MAY2020	PC	SW		



SECTION A-A



DETAIL A $\triangle 3$

DETAIL B
SCALE 10:1
ALTERNATE CONFIGURATION

- $\triangle 1$ MATERIAL:
HOUSING- NYLON UL94V-2 (BLUE) .
CONTACTS- 0.30 [.012] THK COPPER ALLOY
PLATING : BRIGHT TIN-LEAD FOR 0.00203[.000080] MIN THK FOR 647002-2 THRU 1-647002-9 OR MATTE TIN 0.00203[.000080] MIN THK. FOR 3-647002-2 THRU 4-647002-9,
- $\triangle 2$ CONTACTS ACCEPT 26 AWG (0.12 - 0.15 mm²) TIN PLATED SOLID,CONCENTRIC FUSED STRANDED, OR CONCENTRIC STRANDED (7 STRANDS) WIRE WITH 1.52 [.060] MAX INSULATION DIAMETER.
- $\triangle 3$ MATES WITH STANDARD MTA-100 CONNECTORS: OF THE SAME CIRCUIT SIZES WITH SIMILARLY PLATED CONTACTS WITH POLARIZING TABS-CIRCUIT SIZES 4-19 ONLY WITHOUT POLARIZING TABS-CIRCUIT SIZES 2 & 3.

DOES NOT MATE WITH MTA-100 CONNECTORS: WITH POLARIZING TABS-CIRCUIT SIZES 2 & 3 ONLY. (SEE DETAIL A) WITH BLOCKED CIRCUITS -ALL CIRCUIT SIZES. NOT RECOMMENDED FOR MATING WITH MTA-100 CONNECTOR WITHOUT POLARIZING TABS. CIRCUIT SIZES 4-19.
- $\triangle 4$ ACCESSORIES:
REPLACEMENT IDC CONTACTS: 647032-1.
COVERS: SEE TABLE
- $\triangle 5$ QUANTITY OF CENTRALLY POSITIONED RAILS VARIES WITH CIRCUIT SIZE. (SEE TABLE) LOCATION MAY DIFFER FROM EXAMPLE SHOWN.
- $\triangle 6$ DIMENSIONS IN BRACKETS ARE IN INCHES.
- $\triangle 7$ SIMILAR SIZED LOCK AND SINGLE TAB USED OR CIRCUITS 4 & 5.
- $\triangle 8$ QUANTITY OF GUSSET RIBS VARIES WITH CIRCUIT SIZE (SEE TABLE). LOCATION MAY DIFFER FROM EXAMPLE SHOWN.
- $\triangle 9$ INNER END RAIL PAIR NOT PRESENT FOR CIRCUIT SIZES 2 OR 3.
- $\triangle 10$ CIRCUIT ID MAY APPEAR FULLY NUMBERED OR SHOWING LOCATION 1 ONLY DEPENDING ON CIRCUIT SIZE.
- $\triangle 11$ OBSOLETE PARTS: OBSOLETE CIS STREAMLINING PER D.RENAUD/D.SINISI
- $\triangle 12$ OBSOLETE PARTS

THIS DRAWING IS A CONTROLLED DOCUMENT.		DIN R. LEWIS 29--98	TE Connectivity																		
DIMENSIONS: mm [INCHES]		CHK R. SWING 29--98																			
TOLERANCES UNLESS OTHERWISE SPECIFIED:		APVD J. ELLIS 29--98	NAME MTA-100 POSTED CONNECTOR ASSEMBLY, CLOSED END, 26 AWG																		
<table border="1"> <tr><td>0 PLC</td><td>±</td><td>-</td></tr> <tr><td>1 PLC</td><td>±</td><td>-</td></tr> <tr><td>2 PLC</td><td>±</td><td>0.20 [.007]</td></tr> <tr><td>3 PLC</td><td>±</td><td>-</td></tr> <tr><td>4 PLC</td><td>±</td><td>-</td></tr> <tr><td>ANGLES</td><td>-</td><td>-</td></tr> </table>		0 PLC	±	-	1 PLC	±	-	2 PLC	±	0.20 [.007]	3 PLC	±	-	4 PLC	±	-	ANGLES	-	-	PRODUCT SPEC	APPLICATION SPEC
0 PLC	±	-																			
1 PLC	±	-																			
2 PLC	±	0.20 [.007]																			
3 PLC	±	-																			
4 PLC	±	-																			
ANGLES	-	-																			
MATERIAL $\triangle 1$	FINISH $\triangle 1$	WEIGHT	RESTRICTED TO																		
CUSTOMER DRAWING		SIZE A1	SCALE 5:1 SHEET 1 OF 2 REV F																		

1-640642-9	1-643077-9	4	2	45.72	1.800	48.95	1.927	50.80	2.000	19	4-647002-9
1-640642-8	1-643077-8	4	2	43.18	1.700	46.41	1.827	48.26	1.900	18	4-647002-8
1-640642-7	1-643077-7	4	2	40.64	1.600	43.86	1.727	45.72	1.800	17	4-647002-7
1-640642-6	1-643077-6	4	2	38.10	1.500	41.32	1.627	43.18	1.700	16	4-647002-6
1-640642-5	1-643077-5	4	2	35.56	1.400	38.78	1.527	40.64	1.600	15	4-647002-5
1-640642-4	1-643077-4	4	2	33.02	1.300	36.24	1.427	38.10	1.500	14	4-647002-4
1-640642-3	1-643077-3	4	2	30.48	1.200	33.70	1.327	35.56	1.400	13	4-647002-3
1-640642-2	1-643077-2	2	1	27.94	1.100	31.16	1.227	33.02	1.300	12	4-647002-2
1-640642-1	1-643077-1	2	1	25.40	1.000	28.62	1.127	30.48	1.200	11	4-647002-1
1-640642-0	1-643077-0	2	1	22.86	.900	26.08	1.027	27.94	1.100	10	4-647002-0
640642-9	643077-9	2	1	20.32	.800	23.54	.927	25.40	1.000	9	3-647002-9
640642-8	643077-8	2	0	17.78	.700	21.00	.827	22.86	.900	8	3-647002-8
640642-7	643077-7	0	0	15.24	.600	18.46	.727	20.32	.800	7	3-647002-7
640642-6	643077-6	0	0	12.70	.500	15.92	.627	17.78	.700	6	3-647002-6
640642-5	643077-5	0	0	10.16	.400	13.38	.527	15.24	.600	5	3-647002-5
640642-4	643077-4	0	0	7.62	.300	10.84	.427	12.70	.500	4	3-647002-4
640642-3	643077-3	0	0	5.08	.200	8.30	.327	10.16	.400	3	3-647002-3
-	643077-2	0	0	2.54	.100	5.76	.227	7.62	.300	2	3-647002-2
1-640642-9	1-643077-9	4	2	45.72	1.800	48.95	1.927	50.80	2.000	19	4-647002-9
1-640642-8	1-643077-8	4	2	43.18	1.700	46.41	1.827	48.26	1.900	18	4-647002-8
1-640642-7	1-643077-7	4	2	40.64	1.600	43.86	1.727	45.72	1.800	17	4-647002-7
1-640642-6	1-643077-6	4	2	38.10	1.500	41.32	1.627	43.18	1.700	16	4-647002-6
1-640642-5	1-643077-5	4	2	35.56	1.400	38.78	1.527	40.64	1.600	15	4-647002-5
1-640642-4	1-643077-4	4	2	33.02	1.300	36.24	1.427	38.10	1.500	14	4-647002-4
1-640642-3	1-643077-3	4	2	30.48	1.200	33.70	1.327	35.56	1.400	13	4-647002-3
1-640642-2	1-643077-2	2	1	27.94	1.100	31.16	1.227	33.02	1.300	12	4-647002-2
1-640642-1	1-643077-1	2	1	25.40	1.000	28.62	1.127	30.48	1.200	11	4-647002-1
1-640642-0	1-643077-0	2	1	22.86	.900	26.08	1.027	27.94	1.100	10	4-647002-0
640642-9	643077-9	2	1	20.32	.800	23.54	.927	25.40	1.000	9	3-647002-9
640642-8	643077-8	2	0	17.78	.700	21.00	.827	22.86	.900	8	3-647002-8
640642-7	643077-7	0	0	15.24	.600	18.46	.727	20.32	.800	7	3-647002-7
640642-6	643077-6	0	0	12.70	.500	15.92	.627	17.78	.700	6	3-647002-6
640642-5	643077-5	0	0	10.16	.400	13.38	.527	15.24	.600	5	3-647002-5
640642-4	643077-4	0	0	7.62	.300	10.84	.427	12.70	.500	4	3-647002-4
640642-3	643077-3	0	0	5.08	.200	8.30	.327	10.16	.400	3	3-647002-3
-	643077-2	0	0	2.54	.100	5.76	.227	7.62	.300	2	3-647002-2

11
 SUPERCEDED
 OBSOLETE
12
 SUPERCEDED
 OBSOLETE
11
 SUPERCEDED

DUST COVER	STRAIN RELIEF COVERS	QTY OF GUSSET RIBS	QTY OF CENTRAL RAILS	MM	IN	MM	IN	MM	IN	NO. OF CIRCUITS	PART NO
4	ACCESSORIES	8	5	C		B		A			

THIS DRAWING IS A CONTROLLED DOCUMENT.		DIN B LEWIS 29--98		STE TE Connectivity
DIMENSIONS: mm [INCHES]		CIR R SWING 29--98		
TOLERANCES UNLESS OTHERWISE SPECIFIED:		APVD J. ELLIS 29--98		NAME
0 PLC ± -		PRODUCT SPEC		MTA-100 POSTED CONNECTOR ASSEMBLY, CLOSED END, 26 AWG
1 PLC ± -		APPLICATION SPEC		SIZE
2 PLC ± -		WEIGHT		A1 00779
3 PLC ± -		CUSTOMER DRAWING		SCALE 5:1
4 PLC ± -		RESTRICTED TO		SHEET 2 OF 2
ANGLES ± -		REV F		