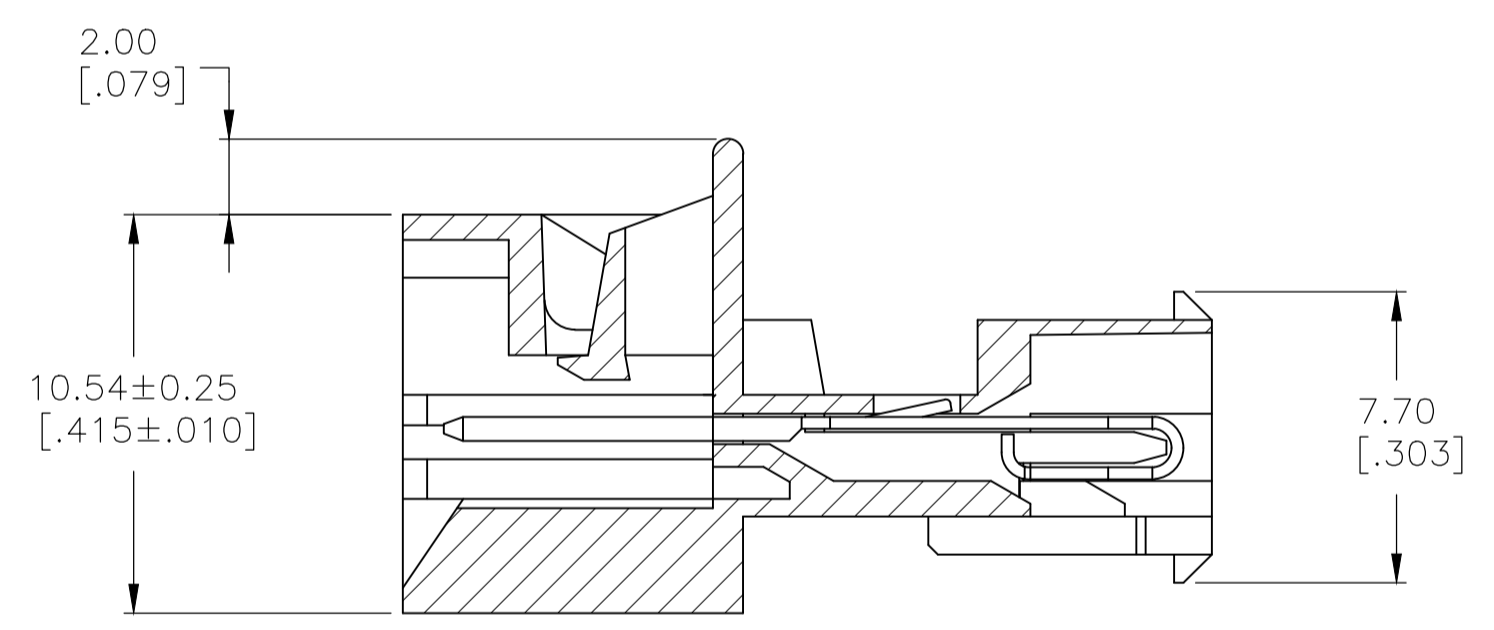
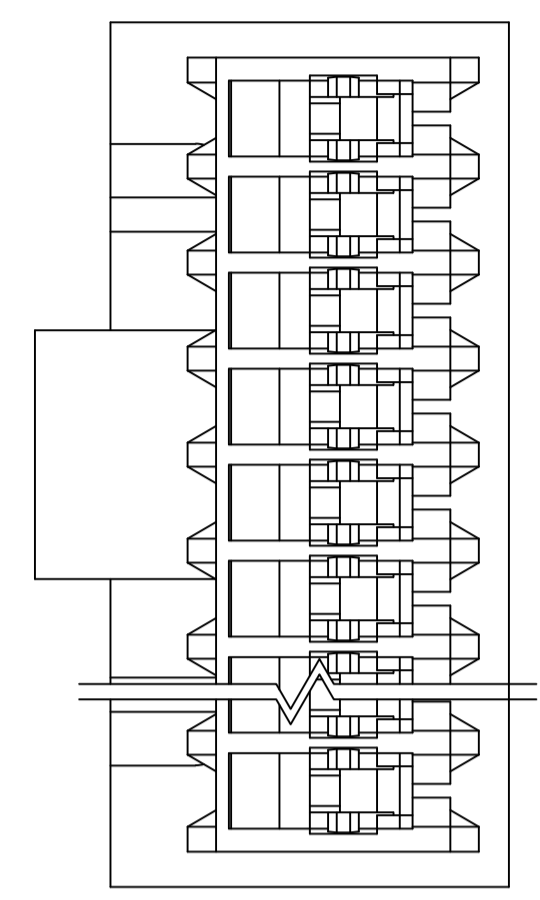
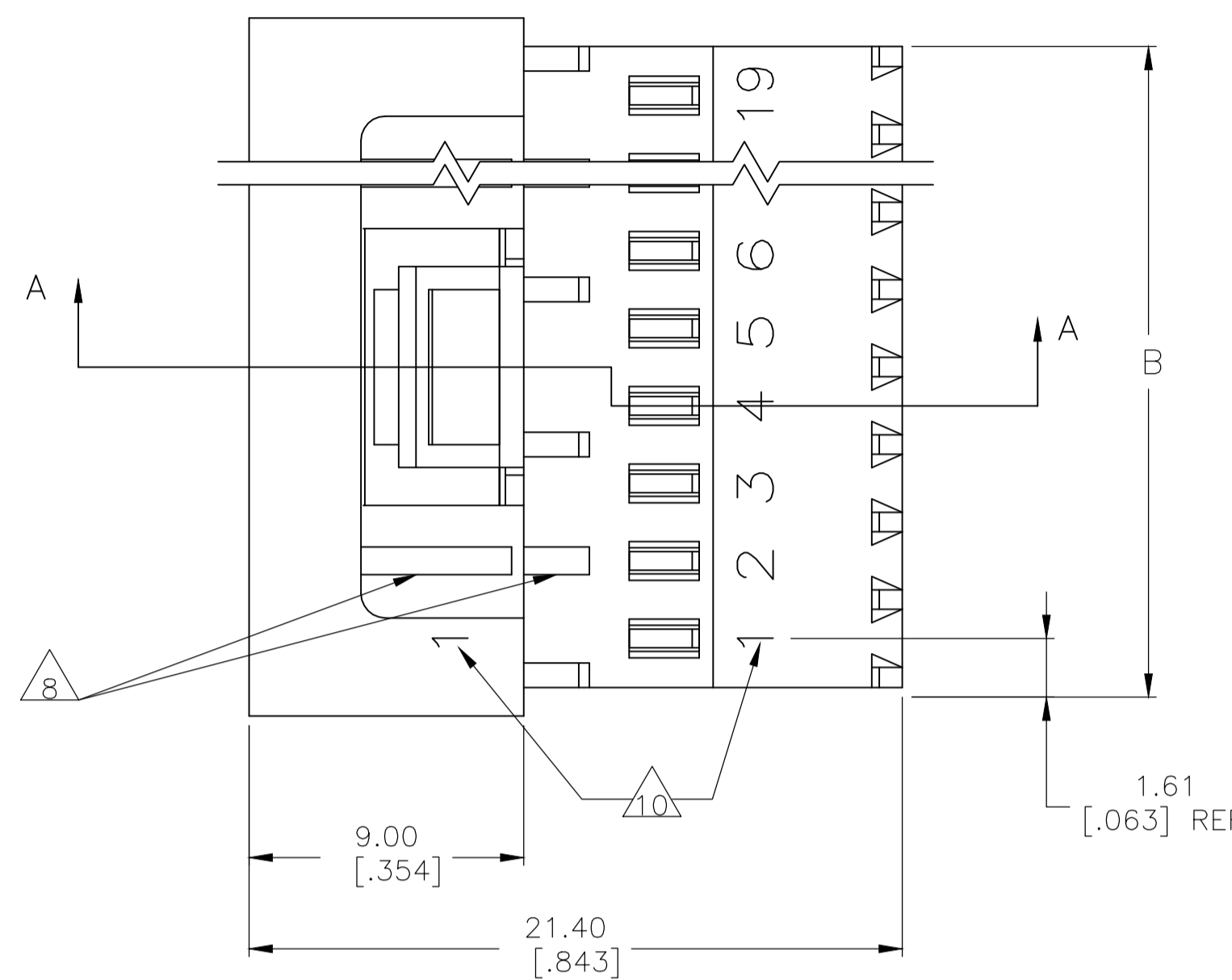
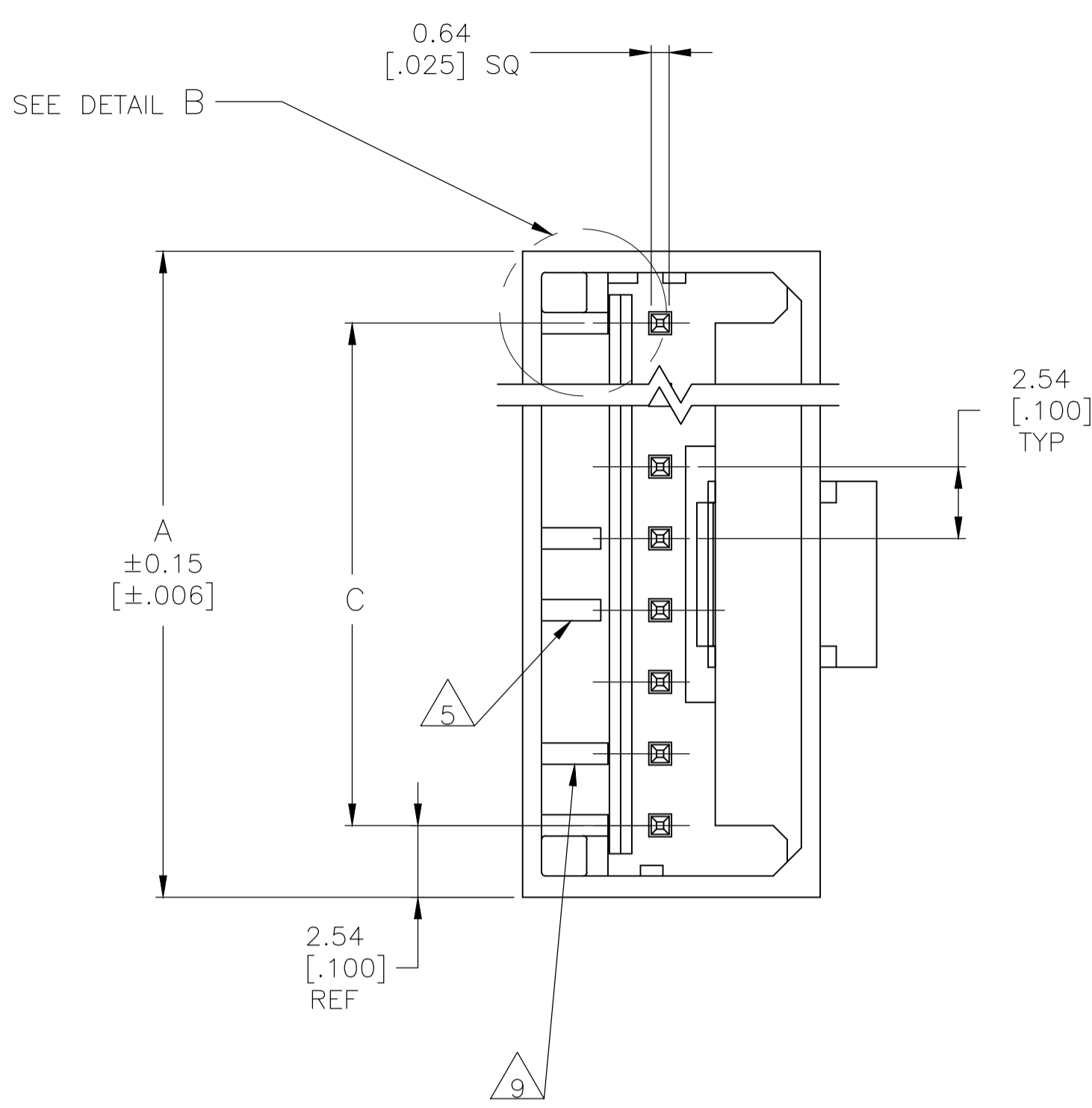
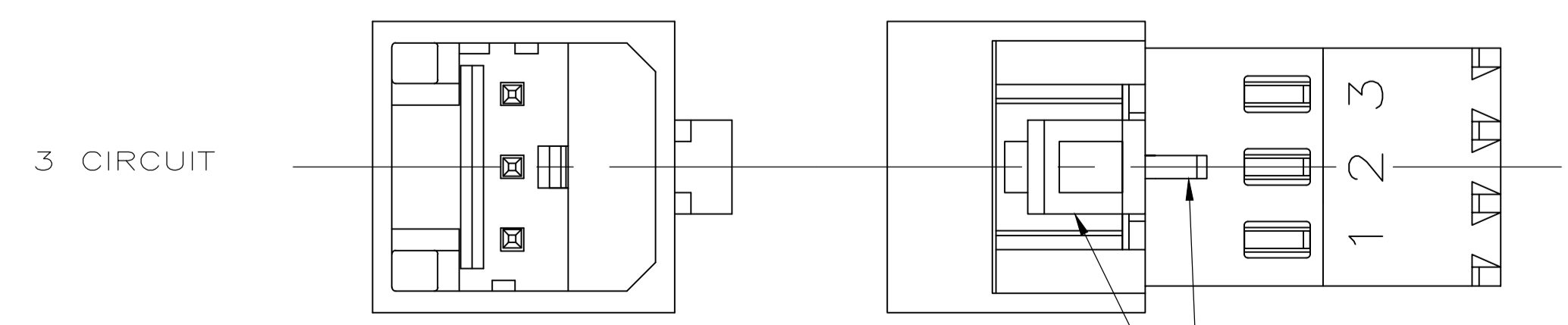
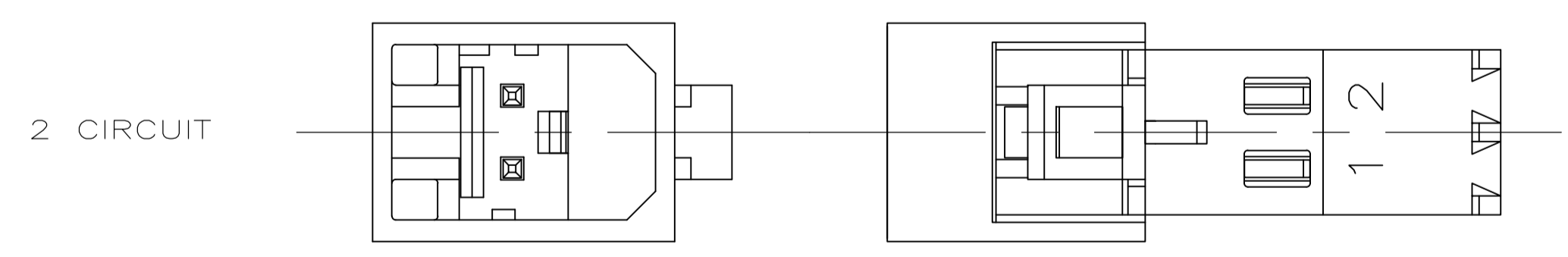


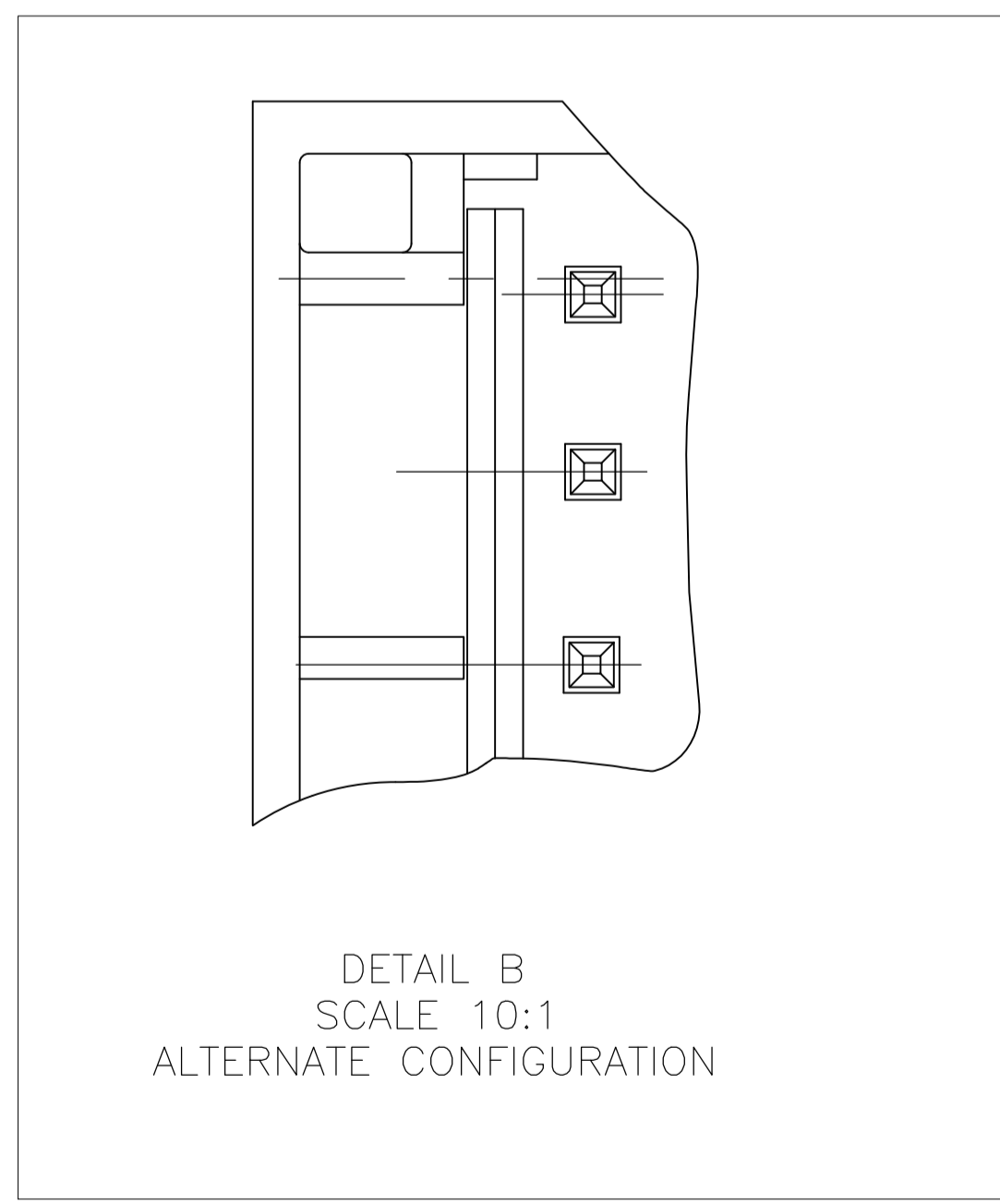
REVISIONS					
P	LTR	DESCRIPTION	DATE	DMN	APVD
F		REVISED PER ECR-20-000808	26MAY2020	PC	SW



SECTION A-A



DETAIL A




- 1 MATERIAL:
HOUSING- NYLON UL94V-2 (WHITE).
CONTACTS- 0.30 [.012] THK COPPER ALLOY
DUAL PLATING : GOLD PLATE AREA, 0.00038 [.000015] GOLD OR 0.00008 [.000003] MIN GOLD FLASH OVER 0.00030 [.000012] PALLADIUM NICKEL, PER TE CONNECTIVITY'S DISCRETION, ONPOST, BRIGHT TIN-LEAD 0.00203[.000080] MIN THK 647016-2 THRU 1-647016-9 OR MATTE TIN 0.00203[.000080] MIN THK. FOR 3-647016-2 THRU 4-647016-9 ON WIRE SLOT, WITH NICKEL UNDERPLATE .00127[.000050] MIN THK ALL OVER.
- 2 CONTACTS ACCEPT 24 AWG (0.2mm²) TIN PLATED SOLID, CONCENTRIC FUSED STRANDED, OR CONCENTRIC STRANDED (7 AND 19 STRAND) WIRE WITH 1.52 [.060] MAX INSULATION DIAMETER.
- 3 MATES WITH STANDARD MTA-100 CONNECTORS: OF THE SAME CIRCUIT SIZES WITH SIMILARLY PLATED CONTACTS WITH POLARIZING TABS-CIRCUIT SIZES 4-19 ONLY WITHOUT POLARIZING TABS-CIRCUIT SIZES 2 & 3.

DOES NOT MATE WITH MTA-100 CONNECTORS: WITH POLARIZING TABS-CIRCUIT SIZES 2 & 3 ONLY. (SEE DETAIL A) WITH BLOCKED CIRCUITS -ALL CIRCUIT SIZES. NOT RECOMMENDED FOR MATING WITH MTA-100 CONNECTOR WITHOUT POLARIZING TABS. CIRCUIT SIZES 4-19.
- 4 ACCESSORIES:
REPLACEMENT IDC CONTACTS: 647031-3.
COVERS: SEE TABLE
- 5 QUANTITY OF CENTRALLY POSITIONED RAILS VARIES WITH CIRCUIT SIZE. (SEE TABLE) LOCATION MAY DIFFER FROM EXAMPLE SHOWN.
- 6 DIMENSIONS IN BRACKETS ARE IN INCHES.
- 7 SIMILAR SIZED LOCK AND SINGLE TAB USED OR CIRCUITS 4 & 5.
- 8 QUANTITY OF GUSSET RIBS VARIES WITH CIRCUIT SIZE (SEE TABLE). LOCATION MAY DIFFER FROM EXAMPLE SHOWN.
- 9 INNER END RAIL PAIR NOT PRESENT FOR CIRCUIT SIZES 2 OR 3.
- 10 CIRCUIT ID MAY APPEAR FULLY NUMBERED OR SHOWING LOCATION 1 ONLY DEPENDING ON CIRCUIT SIZE.
- 11 OBSOLETE PARTS: OBSOLETE CIS STREAMLINING PER D.RENAUD/D.SINISI



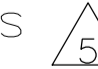
THIS DRAWING IS A CONTROLLED DOCUMENT.		DIN B. LEWIS 30--98	TE Connectivity
DIMENSIONS: mm [INCHES]		CHK R. SWING 30--98	
TOLERANCES UNLESS OTHERWISE SPECIFIED:		APVD J. ELLIS 30--98	NAME 02JUN08
0 PLC ± -		PRODUCT SPEC	ASSEMBLY, CLOSED END, 24 AWG
1 PLC ± -		APPLICATION SPEC	SIZE CAGE CODE DRAWING NO
2 PLC ± 0.20 [.007]		WEIGHT	A1 00779 C=647017
3 PLC ± -		CUSTOMER DRAWING	SCALE 5:1 SHEET 1 OF 2 REV F
4 PLC ± -			
ANGLES ± -			

REVISIONS					
#	DATE	DESCRIPTION	DATE	OWN	APVD
-	-	SEE SHEET 1	-	-	-


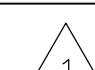
QTY OF GUSSET RIBS	QTY OF CENTRAL RAILS	C		B		A		NO. OF CIRCUITS	PART NO
		MM	IN	MM	IN	MM	IN		
4	2	45.72	1.800	48.95	1.927	50.80	2.000	19	4-647017-9
4	2	43.18	1.700	46.41	1.827	48.26	1.900	18	4-647017-8
4	2	40.64	1.600	43.86	1.727	45.72	1.800	17	4-647017-7
4	2	38.10	1.500	41.32	1.627	43.18	1.700	16	4-647017-6
4	2	35.56	1.400	38.78	1.527	40.64	1.600	15	4-647017-5
4	2	33.02	1.300	36.24	1.427	38.10	1.500	14	4-647017-4
4	2	30.48	1.200	33.70	1.327	35.56	1.400	13	4-647017-3
2	1	27.94	1.100	31.16	1.227	33.02	1.300	12	4-647017-2
2	1	25.40	1.000	28.62	1.127	30.48	1.200	11	4-647017-1
2	1	22.86	.900	26.08	1.027	27.94	1.100	10	4-647017-0
2	1	20.32	.800	23.54	.927	25.40	1.000	9	3-647017-9
2	0	17.78	.700	21.00	.827	22.86	.900	8	3-647017-8
0	0	15.24	.600	18.46	.727	20.32	.800	7	3-647017-7
0	0	12.70	.500	15.92	.627	17.78	.700	6	3-647017-6
0	0	10.16	.400	13.38	.527	15.24	.600	5	3-647017-5
0	0	7.62	.300	10.84	.427	12.70	.500	4	3-647017-4
0	0	5.08	.200	8.30	.327	10.16	.400	3	3-647017-3
0	0	2.54	.100	5.76	.227	7.62	.300	2	3-647017-2
4	2	45.72	1.800	48.95	1.927	50.80	2.000	19	1-647017-9
4	2	43.18	1.700	46.41	1.827	48.26	1.900	18	1-647017-8
4	2	40.64	1.600	43.86	1.727	45.72	1.800	17	1-647017-7
4	2	38.10	1.500	41.32	1.627	43.18	1.700	16	1-647017-6
4	2	35.56	1.400	38.78	1.527	40.64	1.600	15	1-647017-5
4	2	33.02	1.300	36.24	1.427	38.10	1.500	14	1-647017-4
4	2	30.48	1.200	33.70	1.327	35.56	1.400	13	1-647017-3
2	1	27.94	1.100	31.16	1.227	33.02	1.300	12	1-647017-2
2	1	25.40	1.000	28.62	1.127	30.48	1.200	11	1-647017-1
2	1	22.86	.900	26.08	1.027	27.94	1.100	10	1-647017-0
2	1	20.32	.800	23.54	.927	25.40	1.000	9	647017-9
2	0	17.78	.700	21.00	.827	22.86	.900	8	647017-8
0	0	15.24	.600	18.46	.727	20.32	.800	7	647017-7
0	0	12.70	.500	15.92	.627	17.78	.700	6	647017-6
0	0	10.16	.400	13.38	.527	15.24	.600	5	647017-5
0	0	7.62	.300	10.84	.427	12.70	.500	4	647017-4
0	0	5.08	.200	8.30	.327	10.16	.400	3	647017-3
0	0	2.54	.100	5.76	.227	7.62	.300	2	647017-2

SUPERCEDED


OBSOLETE

DUST COVER	STRAIN RELIEF COVERS	QTY OF GUSSET RIBS	QTY OF CENTRAL RAILS	MM	IN	MM	IN	MM	IN	NO. OF CIRCUITS	PART NO
	ACCESSORIES			C		B		A			

THIS DRAWING IS A CONTROLLED DOCUMENT.

DIMENSIONS: mm [INCHES]	TOLERANCES UNLESS OTHERWISE SPECIFIED:	DWN R. LEWIS 30--98	TE Connectivity
0 PLC ± -	1 PLC ± -	CHK R. SWING 30--98	MTA-100 POSTED CONNECTOR ASSEMBLY, CLOSED END, 24 AWG
2 PLC ± -	3 PLC ± -	APVD J. ELLIS 30--98	PRODUCT SPEC
4 PLC ± -	ANGLES ± -		APPLICATION SPEC
MATERIAL 	FINISH 	SIZE A1	RESTRICTED TO
		WEIGHT -	CAGE CODE 00779
			DRAWING NO 647017
			SCALE 1:1
			SHEET 2 OF 2
			REV E1