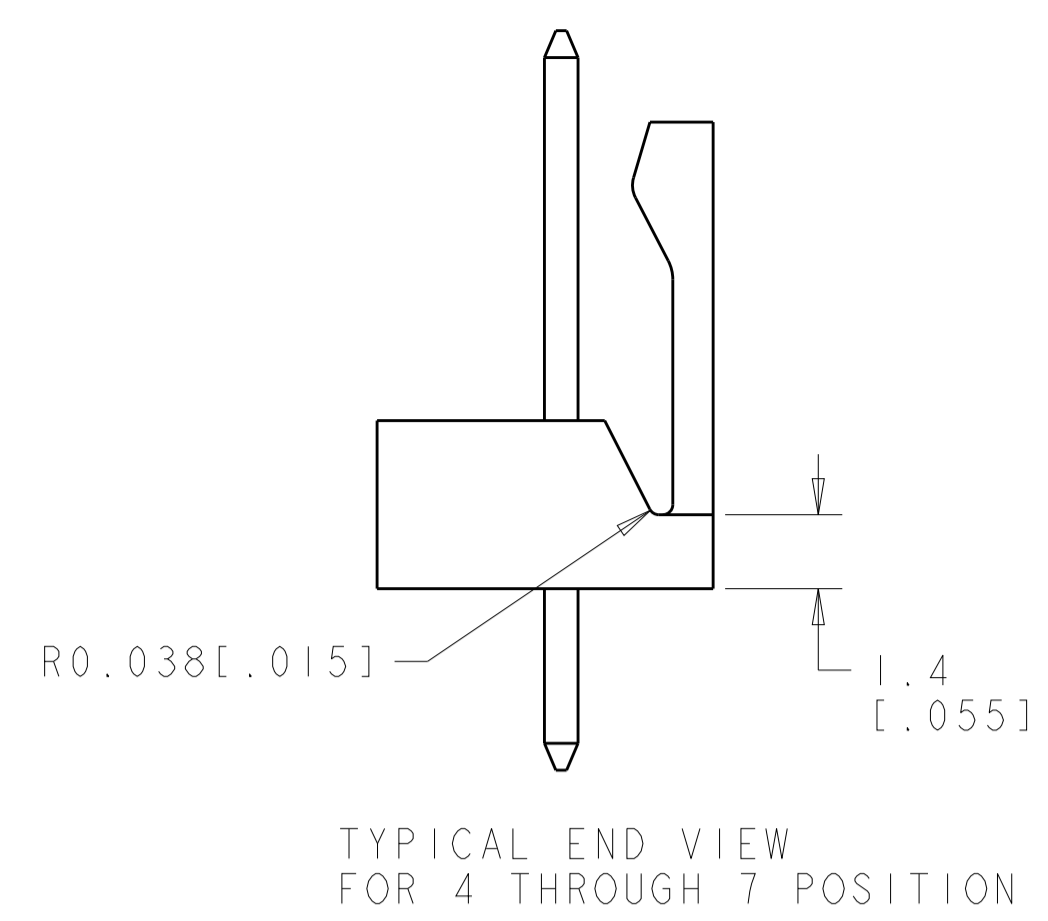
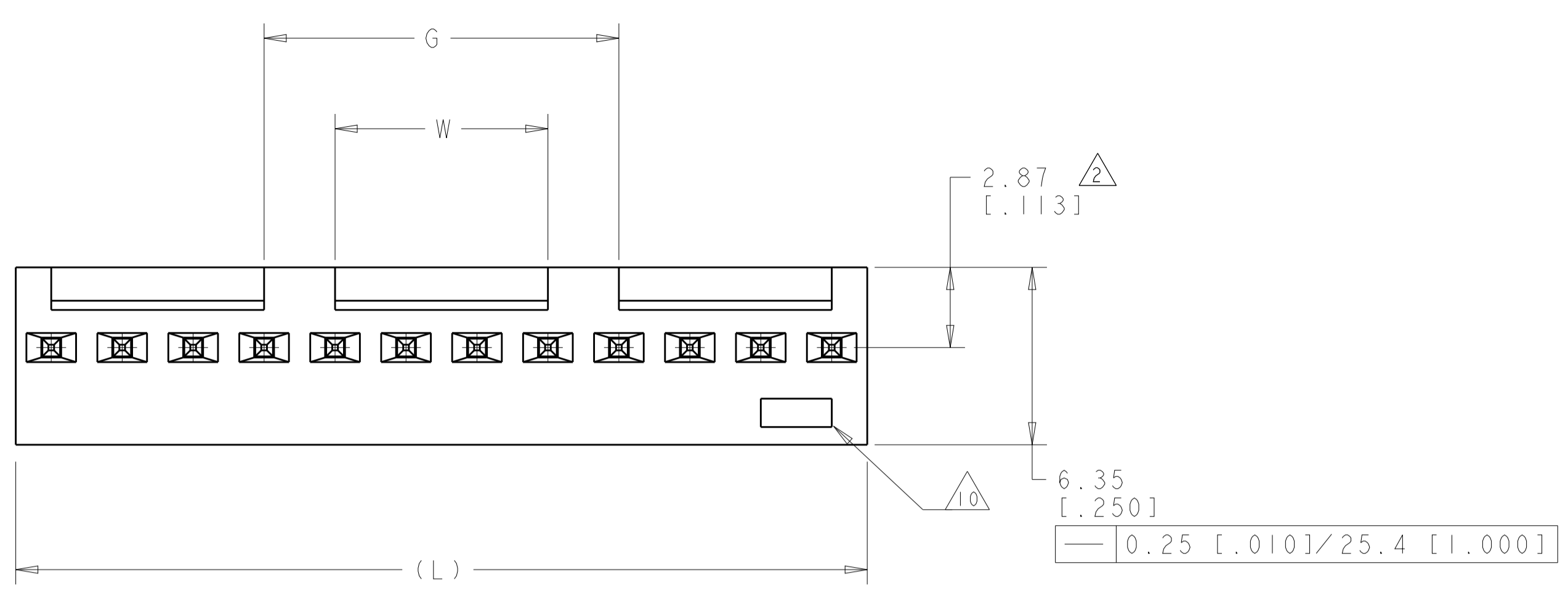
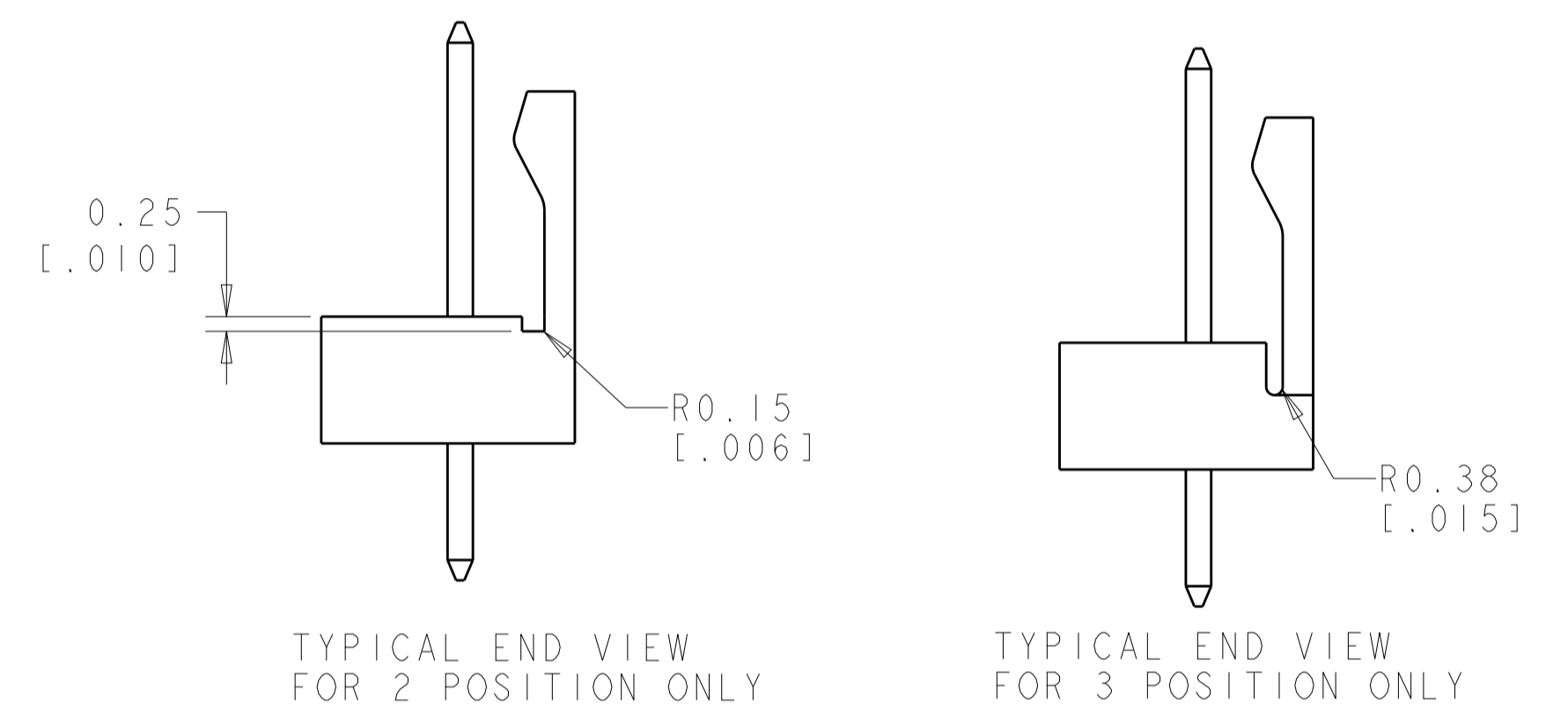
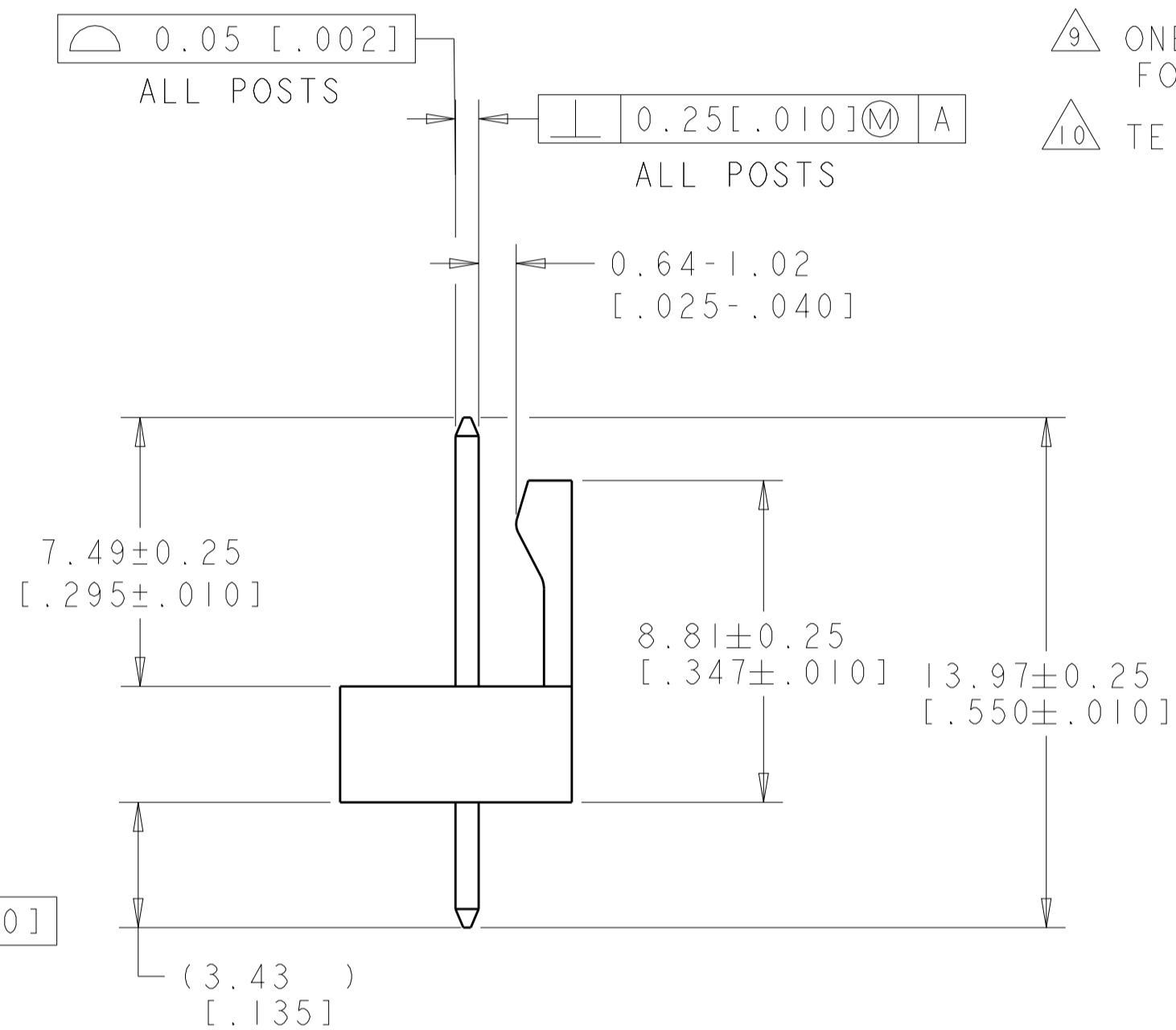
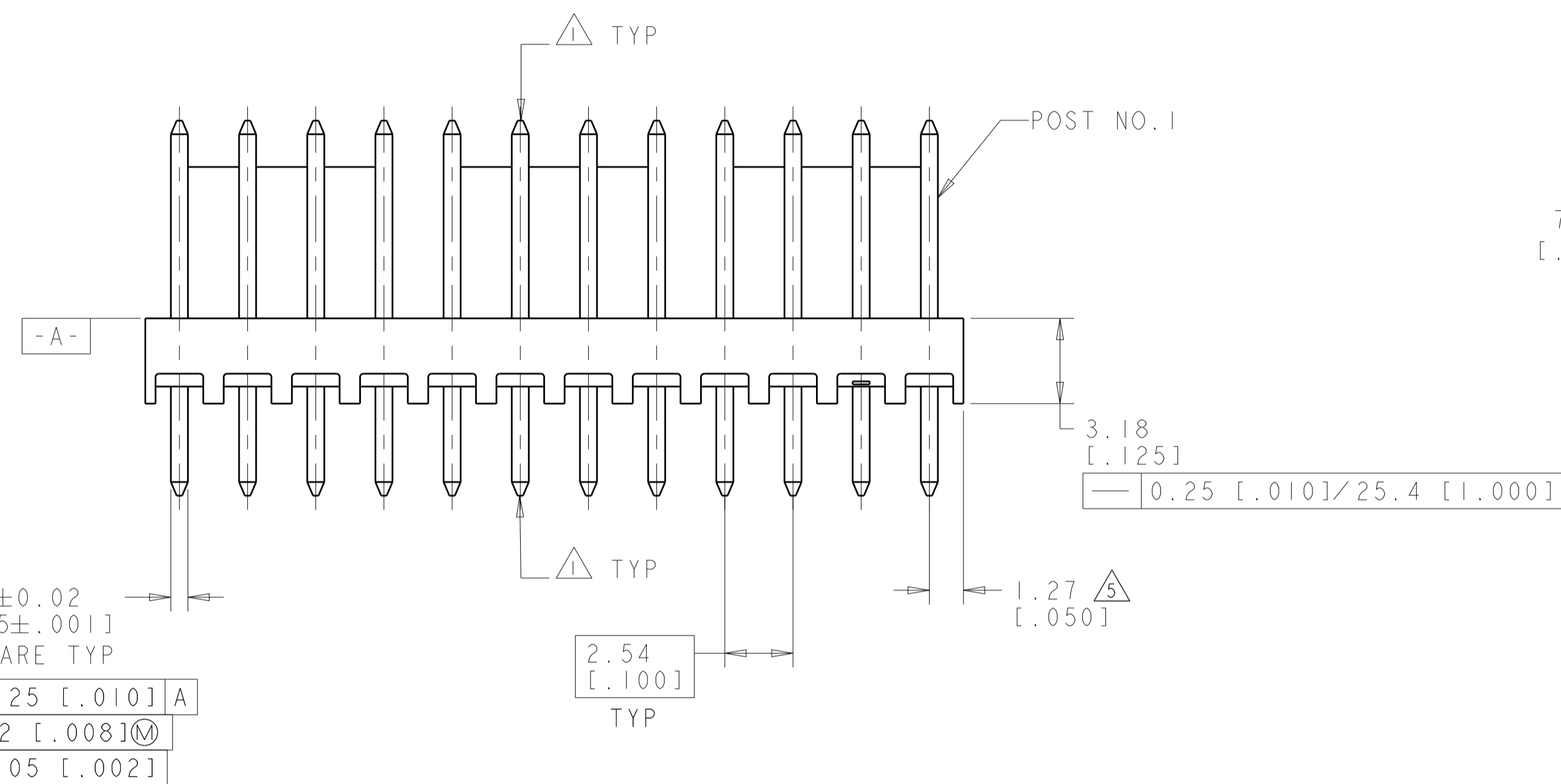


| LOC | DIST | REVISIONS | | | |
|-----|------|-----------|-----------|-----|------|
| CM | 00 | REV | DATE | BY | APPV |
| | | T2 | 18JUN2018 | BDA | SG |
| | | U | 18OCT2019 | BDA | SW |

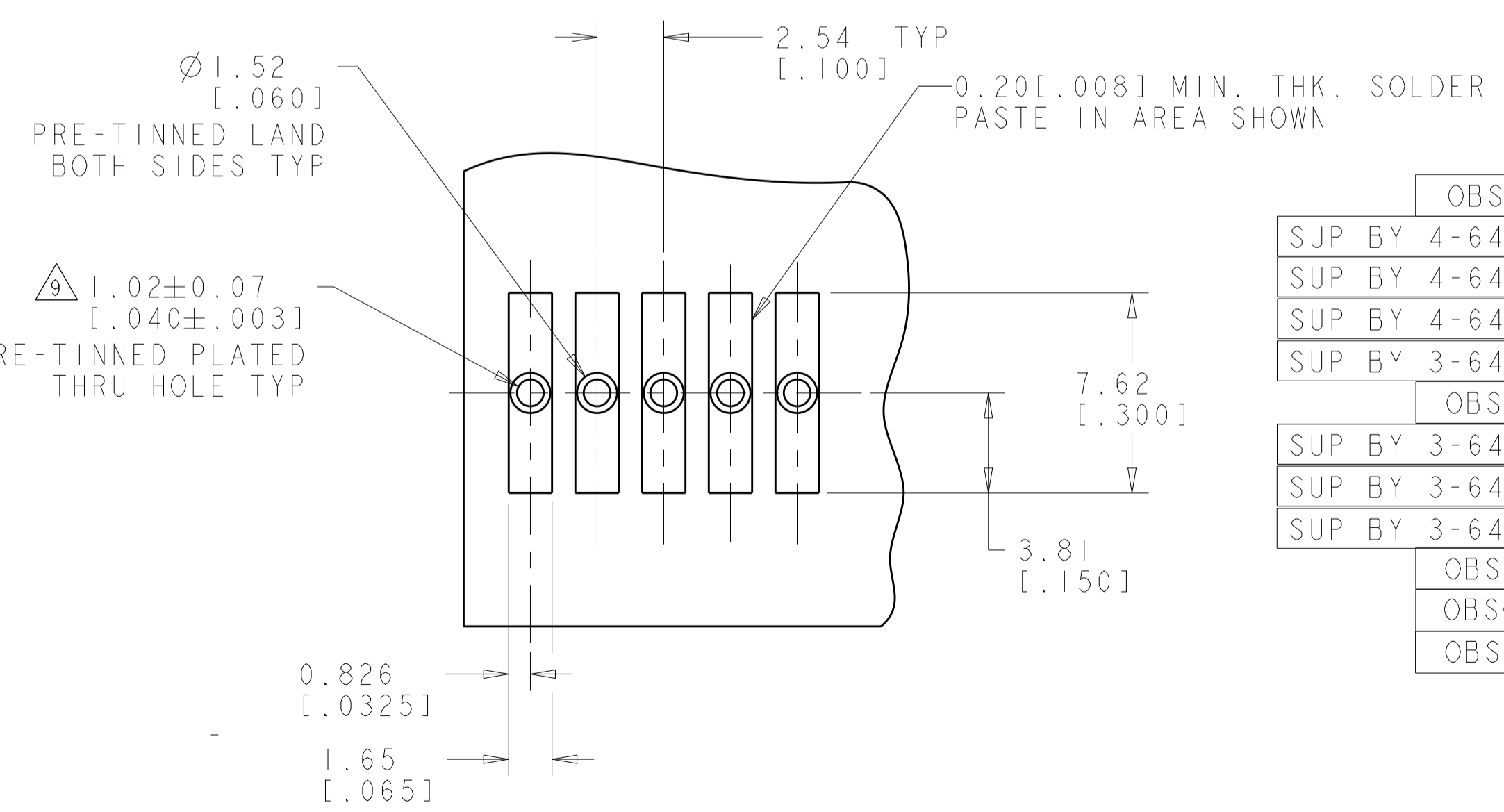


- 1. POST WITHSTAND 13 NEWTONS (3 LBS) MIN AXIAL FORCE IN DIRECTION SHOWN WITHOUT DISLODGING.
- 2. MEASURED AT -A-.
- 3. PARTS COMPLY WITH SOLDERABILITY SPEC 109-11-2/12.
- 4. MATERIAL: HOUSING: NYLON, 4/6, HIGH TEMP, BLACK.
POST -2 THRU -12 COPPER ALLOY BRIGHT TIN-LEAD 0.00305 [0.000120] MIN THICK.
POST -32 THRU -42 COPPER ALLOY MATTE TIN 0.00305 [0.000120] MIN THICK.
- 5. COORDINATE DIMENSION APPLIES FROM CENTER OF ACTUAL FEATURE.
- 6. POSTS TO BE MEASURED WHEN STRIP HELD FLAT.
- 7. DIMENSIONS IN BRACKETS ARE IN INCHES.
- 8. TOLERANCES APPLY TO SOLDER SIDE OF BOARD.
- 9. ONE HOLE MAY BE UNDERSIZED 0.81-0.89 [0.032-.035] DIAMETER FOR ASSEMBLY RETENTION DURING PROCESSING.
- 10. TE LOGO, UL, AND CSA TRADEMARKS TO APPEAR ON THIS SURFACE.



| |
|------------------------------------|
| 0.64±0.02 [0.025±0.001] SQUARE TYP |
| 0.25 [0.010] A |
| 0.2 [0.008] M |
| 0.05 [0.002] |

| |
|------------------|
| 2.54 [1.000] TYP |
|------------------|



RECOMMENDED MOUNTING HOLE PATTERN FOR 1.57±0.20 [0.062±0.008] THICK P.C. BOARD

| | W | G | L | NO OF POSN | PART NO |
|-------------------|---------------|---------------|---------------|------------|------------|
| | 7.62 [0.300] | 12.70 [0.500] | 30.48 [1.200] | 12 | 4-647050-2 |
| | - | 10.16 [0.400] | 27.94 [1.100] | 11 | 4-647050-1 |
| | - | 7.62 [0.300] | 25.40 [1.000] | 10 | 4-647050-0 |
| | - | 5.08 [0.200] | 22.86 [0.900] | 9 | 3-647050-9 |
| | - | 2.54 [0.100] | 20.32 [0.800] | 8 | 3-647050-8 |
| | - | - | 17.78 [0.700] | 7 | 3-647050-7 |
| | - | - | 15.24 [0.600] | 6 | 3-647050-6 |
| | - | - | 12.70 [0.500] | 5 | 3-647050-5 |
| | - | - | 10.16 [0.400] | 4 | 3-647050-4 |
| | - | - | 7.62 [0.300] | 3 | 3-647050-3 |
| | - | - | 5.08 [0.200] | 2 | 3-647050-2 |
| OBSOLETE | 12.70 [0.500] | 17.78 [0.700] | 35.56 [1.400] | 14 | 1-647050-4 |
| SUP BY 4-647050-2 | 7.62 [0.300] | 12.70 [0.500] | 30.48 [1.200] | 12 | 1-647050-2 |
| SUP BY 4-647050-1 | - | 10.16 [0.400] | 27.94 [1.100] | 11 | 1-647050-1 |
| SUP BY 4-647050-0 | - | 7.62 [0.300] | 25.40 [1.000] | 10 | 1-647050-0 |
| SUP BY 3-647050-9 | - | 5.08 [0.200] | 22.86 [0.900] | 9 | 647050-9 |
| OBSOLETE | - | 2.54 [0.100] | 20.32 [0.800] | 8 | 647050-8 |
| SUP BY 3-647050-7 | - | - | 17.78 [0.700] | 7 | 647050-7 |
| SUP BY 3-647050-6 | - | - | 15.24 [0.600] | 6 | 647050-6 |
| SUP BY 3-647050-5 | - | - | 12.70 [0.500] | 5 | 647050-5 |
| OBSOLETE | - | - | 10.16 [0.400] | 4 | 647050-4 |
| OBSOLETE | - | - | 7.62 [0.300] | 3 | 647050-3 |
| OBSOLETE | - | - | 5.08 [0.200] | 2 | 647050-2 |

THIS DRAWING IS A CONTROLLED DOCUMENT.

OWN: R. WHITAKER 01NOV2001
CHK: D. BOSSI 01NOV2001
APPV: D. BOSSI 01NOV2001

DIMENSIONS: mm [INCHES]

TOLERANCES UNLESS OTHERWISE SPECIFIED:
0 PLC ±
1 PLC ±0.381 [0.015]
2 PLC ±
3 PLC ±
4 PLC ±
ANGLES ±40°30'

MATERIAL: 4

FINISH: 4

WEIGHT: -

CUSTOMER DRAWING

SCALE: 7:1

SHEET: 1 OF 1

REV: U

NAME: MTA-100 HEADER ASSY, HIGH TEMPERATURE FRICTION LOCK, .025 SQUARE, STRAIGHT POST, TIN OR TIN LEAD

PRODUCT SPEC: -

APPLICATION SPEC: -

SIZE: A1

CAGE CODE: 647050

DRAWING NO: 100779