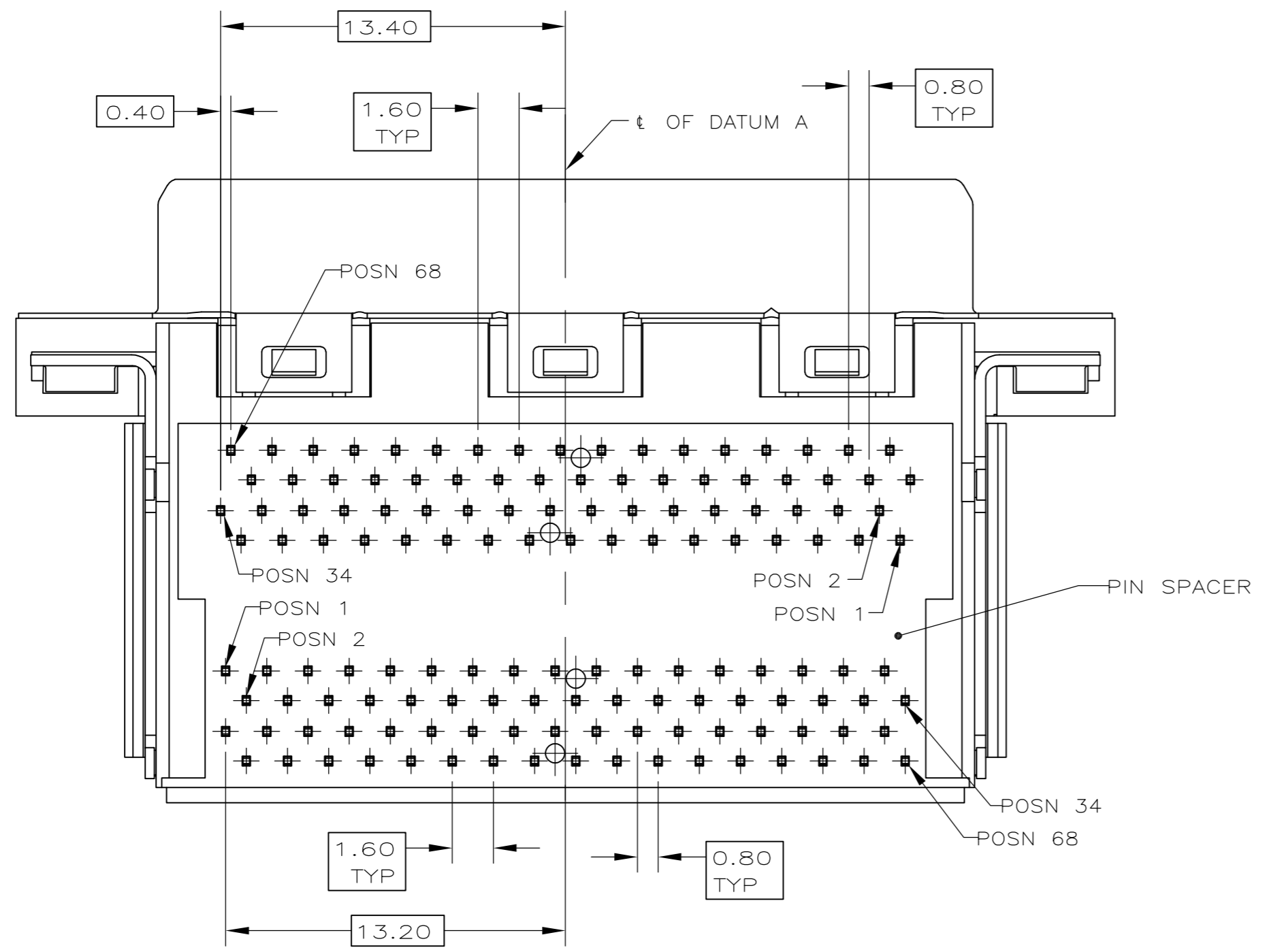
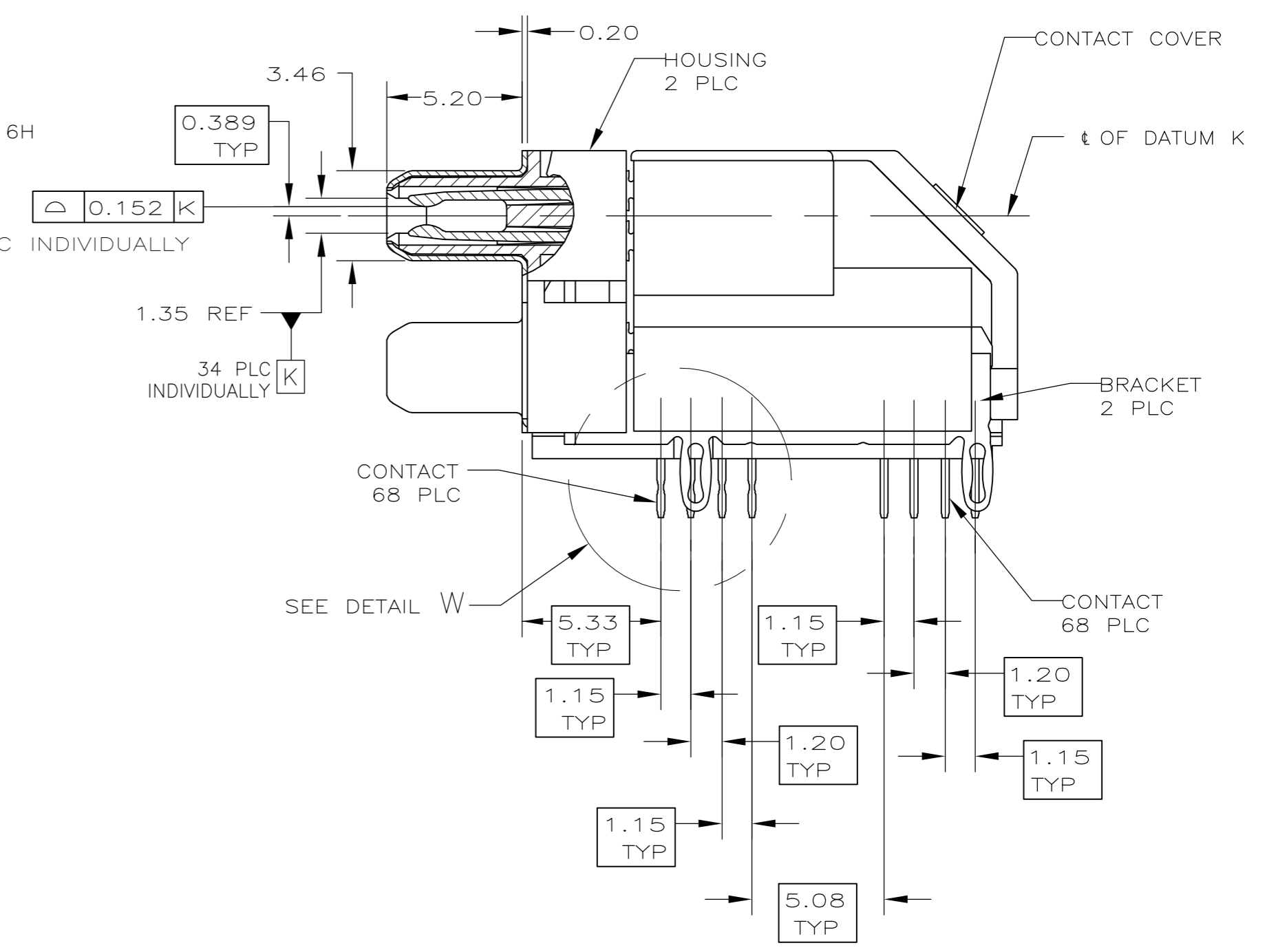
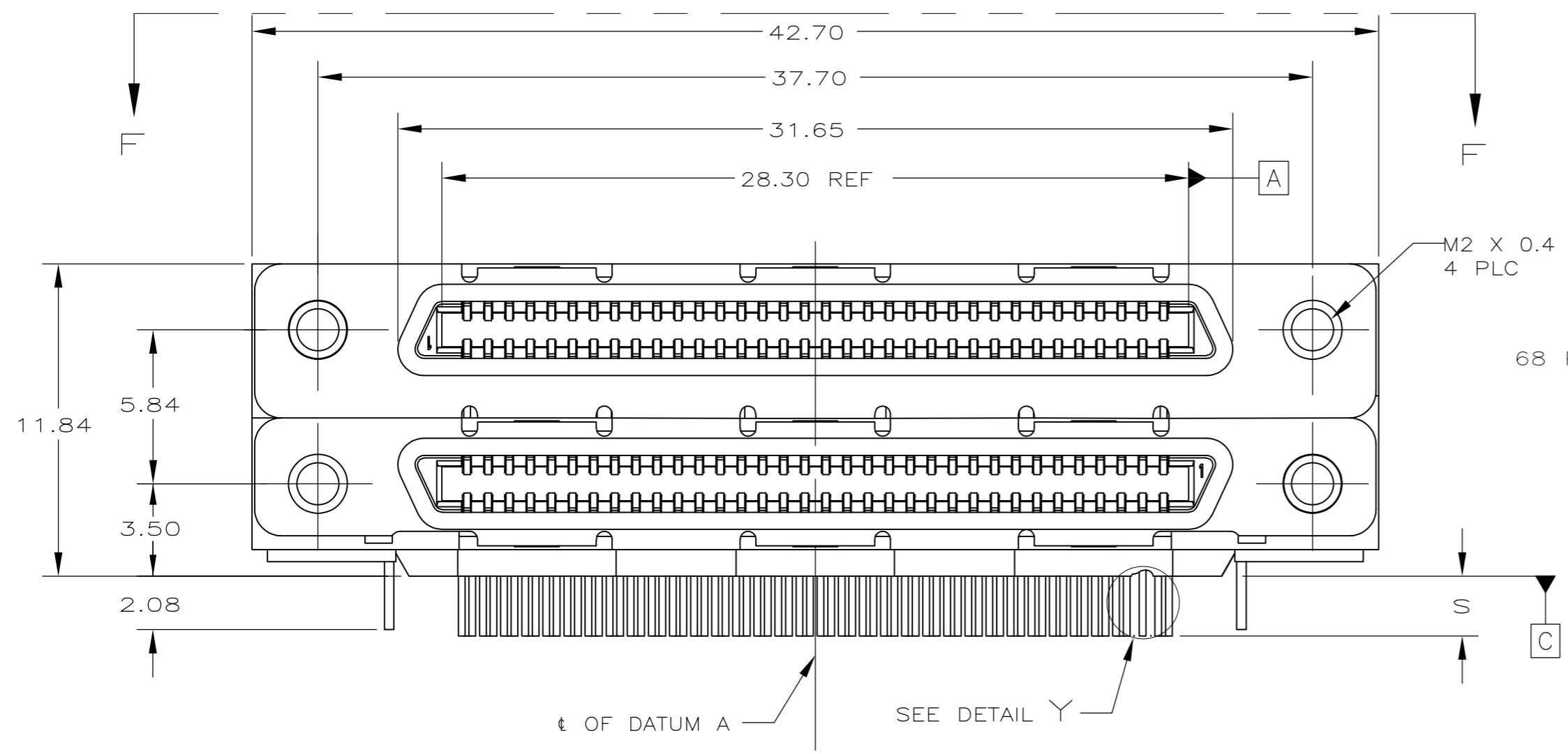


THIS DRAWING IS UNPUBLISHED. RELEASED FOR PUBLICATION  
 © COPYRIGHT - By - ALL RIGHTS RESERVED.

LOC		DIST		REVISIONS			
P	LTR	DESCRIPTION		DATE	DWN	APVD	
GP	00	B		REVISED PER ECO-15-005167	27APR2015	AP	EB



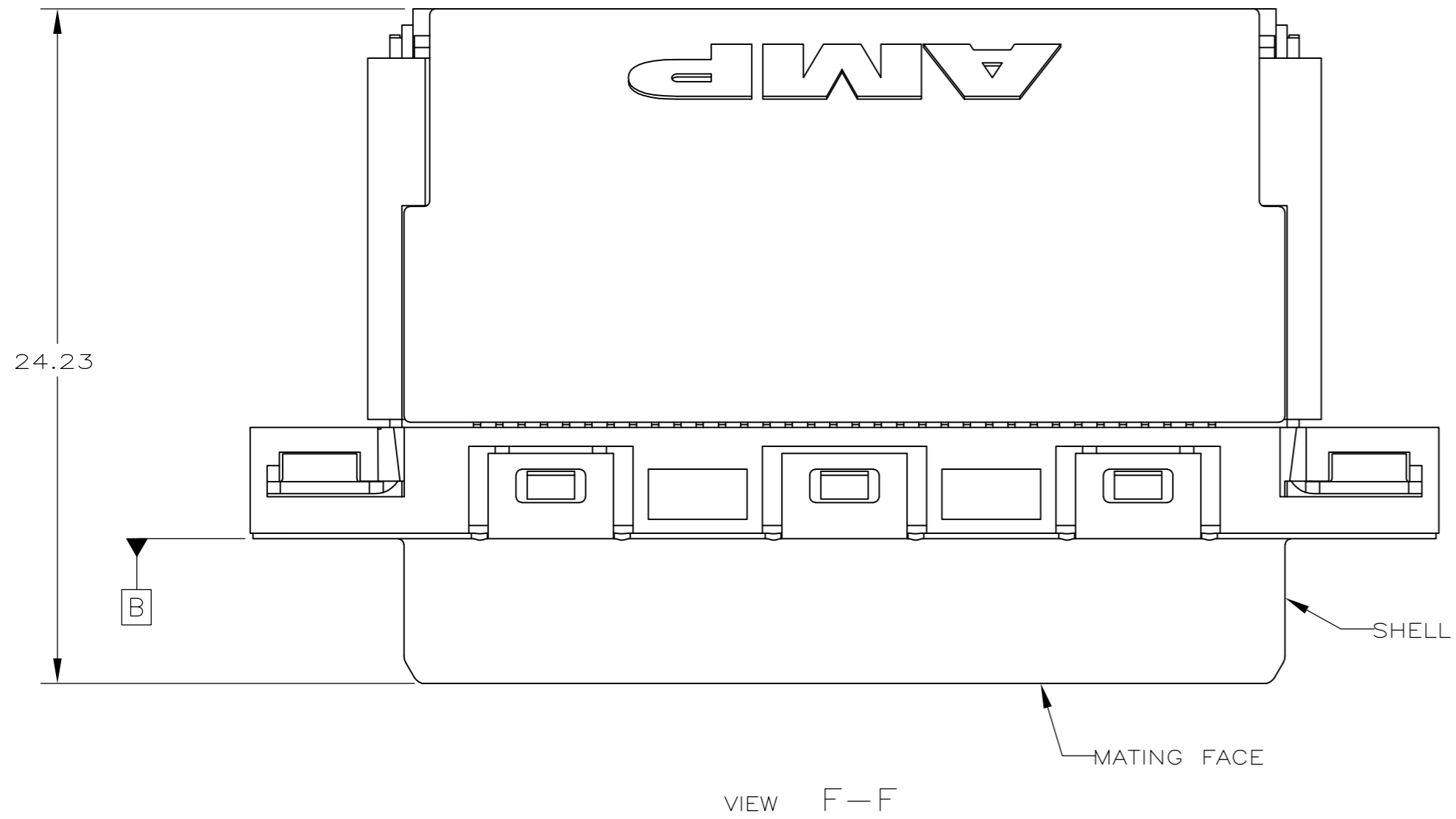
**COPYRIGHT 2005  
 TYCO ELECTRONICS CORP  
 ALL RIGHTS RESERVED**

OBSELETE	3.55	8	6489232-2
	2.27	3	6489232-1
S	REMARKS		PART NUMBER

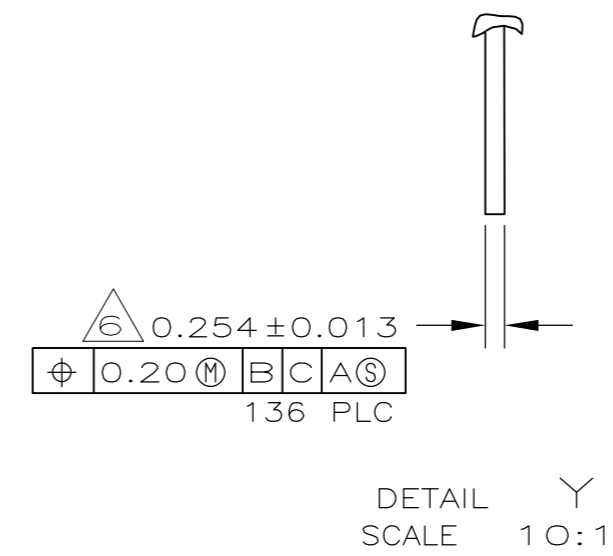
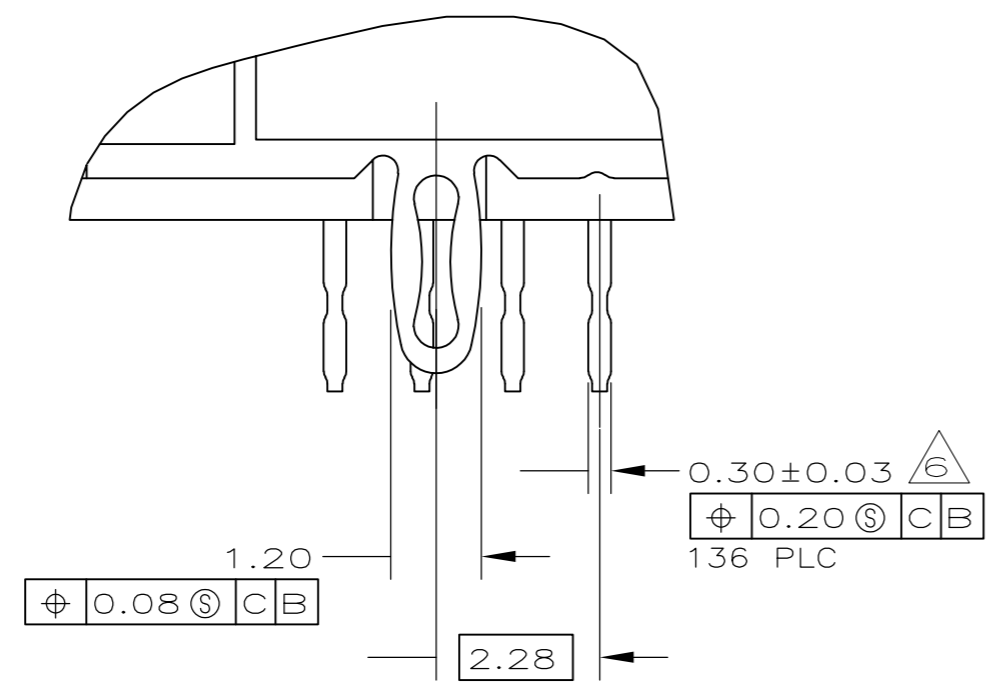
THIS DRAWING IS A CONTROLLED DOCUMENT. DIMENSIONING AND TOLERANCING PER ASME Y14.5M-2009		DWN J. ALCORTA - DOCK5 08-03-05	TE Connectivity	
DIMENSIONS: mm		CHK S. SHUEY 08-03-05	RECEPTACLE ASSEMBLY, 68 POSITION, STACKED, COVERED CONTACTS, RIGHT ANGLE, CHAMP 0.8 mm	
TOLERANCES UNLESS OTHERWISE SPECIFIED:		APVD M. WALMSLEY 08-03-05	NAME	
0 PLC ± -	1 PLC ± -	PRODUCT SPEC 108-1471-1	SIZE CAGE CODE DRAWING NO RESTRICTED TO	
2 PLC ± 0.13	3 PLC ± -	APPLICATION SPEC 114-6057	A2 00779 C=6489232	
4 PLC ± -	ANGLES ± 1°	WEIGHT -	SCALE 5:1	SHEET 1 of 3
MATERIAL 1	FINISH 2	CUSTOMER DRAWING	REV B	

THIS DRAWING IS UNPUBLISHED. RELEASED FOR PUBLICATION  
 © COPYRIGHT - By - ALL RIGHTS RESERVED.

LOC		DIST		REVISIONS			
P	LTR	DESCRIPTION	DATE	DWN	APVD		
GP	00	-	-	-	-	SEE SHEET 1	



- 1 MOLDED PARTS: THERMOPLASTIC, BLACK, UL 94V-0 RATED.  
SHELL: CARBON STEEL.  
CONTACTS: PHOSPHOR BRONZE.  
BRACKETS: STEEL.
- 2 SHELL: 5.08µm MIN NICKEL OVER 6.35µm MIN COPPER.  
CONTACTS: 0.76µm MIN GOLD ON MATING END, 3.75µm MIN TIN ON OPPOSITE END, BOTH OVER 1.27µm MIN NICKEL.  
BRACKETS: TIN PLATED.
- 3 CONTACTS DESIGNED FOR USE ON 1.60±0.15 THICK PC BOARD WITH PLATED THRU MOUNTING HOLES.
- 4 RECEPTACLE ASSEMBLY DESIGNED FOR USE WITH 1.12±0.08 THICK PANEL.
- 5 DATUMS AND DIMENSIONS ESTABLISHED BY CUSTOMER.
- 6 POSITION TOLERANCE APPLIES AT CONTACT TIP ONLY.
- 7 OFFSET DIMENSION APPLIES TO LOWER FOOTPRINT ONLY.
- 8 CONTACTS DESIGNED FOR USE ON 2.35±0.15 THICK PC BOARD WITH PLATED THRU MOUNTING HOLES.

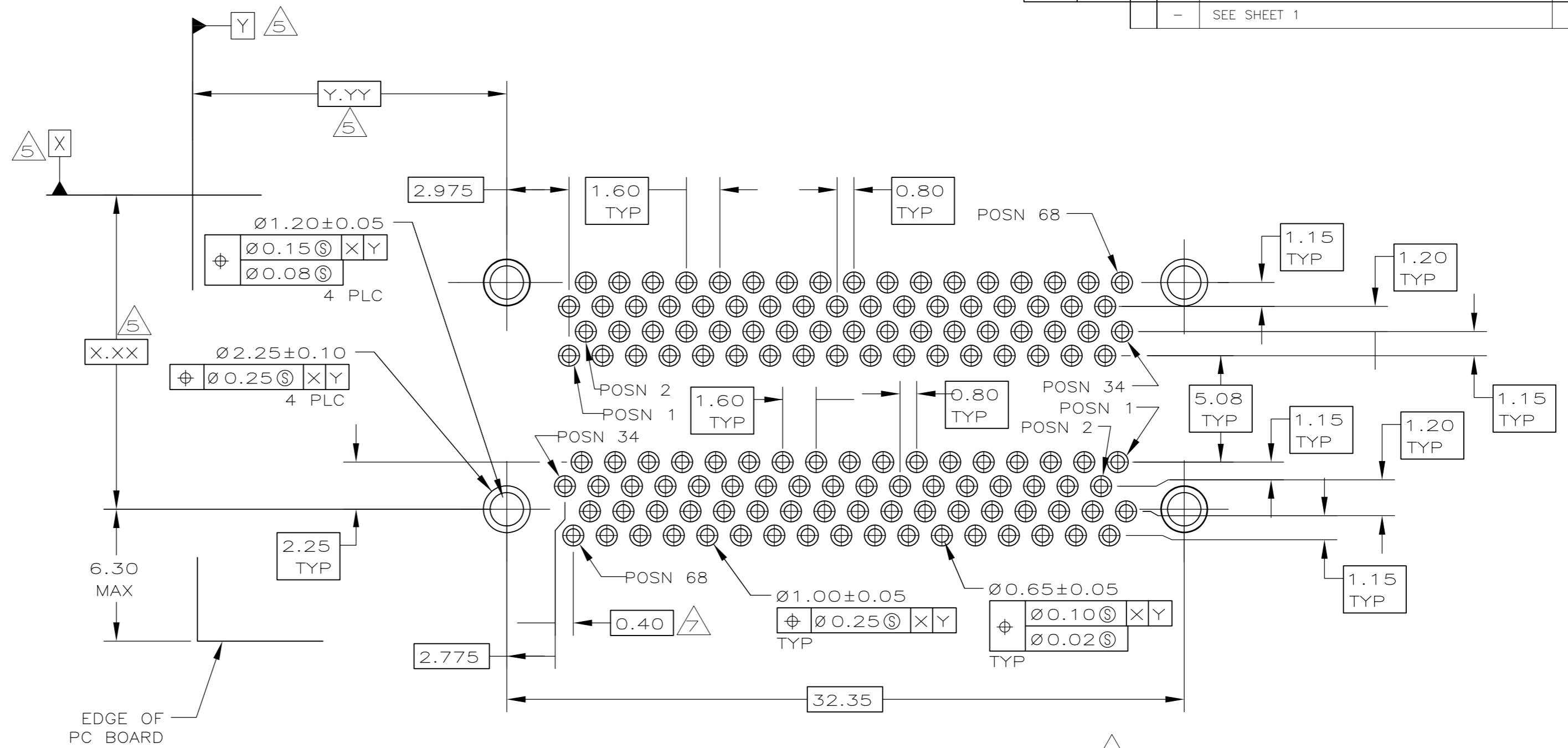


**COPYRIGHT 2005  
 TYCO ELECTRONICS CORP  
 ALL RIGHTS RESERVED**

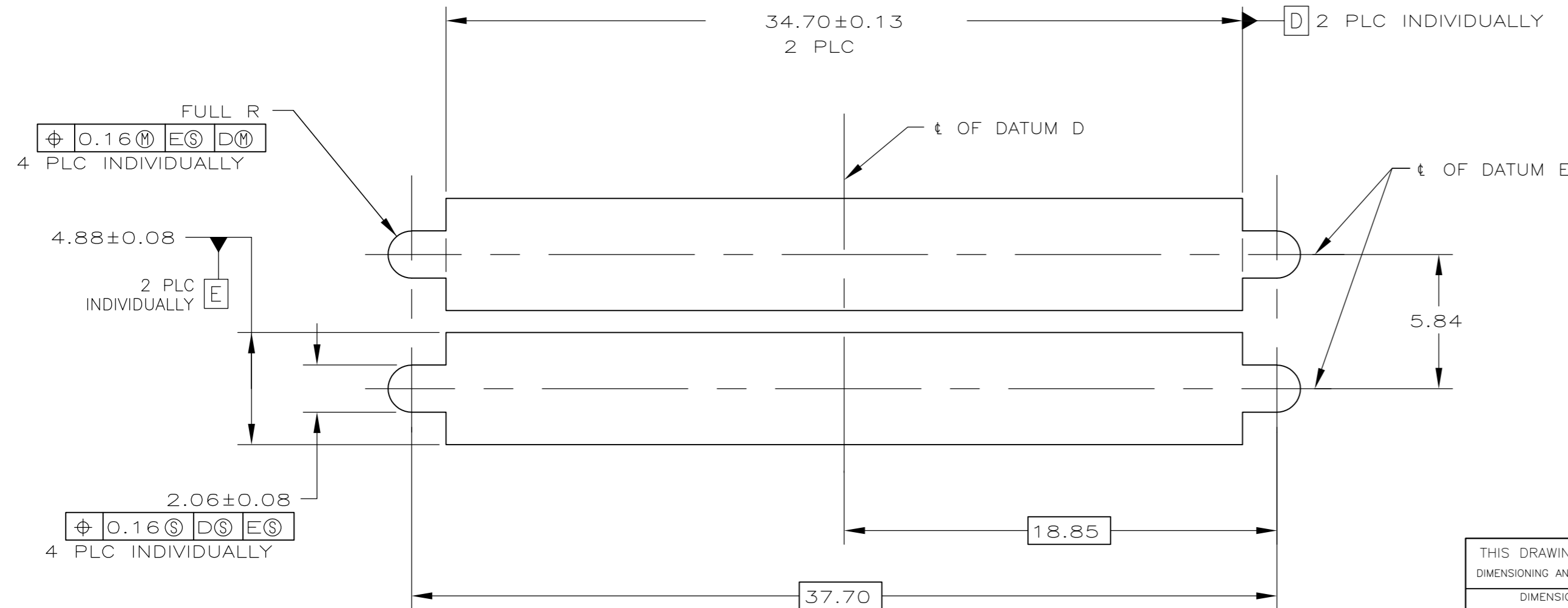
THIS DRAWING IS A CONTROLLED DOCUMENT. DIMENSIONING AND TOLERANCING PER ASME Y14.5M-2009		DWN J. ALCORTA - DOCK5 08-03-05	TE Connectivity	
DIMENSIONS: mm		CHK S. SHUEY 08-03-05	NAME RECEPTACLE ASSEMBLY, 68 POSITION, STACKED, COVERED CONTACTS, RIGHT ANGLE, CHAMP 0.8mm	
TOLERANCES UNLESS OTHERWISE SPECIFIED: 0 PLC ± - 1 PLC ± - 2 PLC ± 0.13 3 PLC ± - 4 PLC ± - ANGLES ± 1°		APVD M. WALMSLEY 08-03-05	DRAWING NO A2 00779 C=6489232	
MATERIAL -		FINISH -	WEIGHT -	RESTRICTED TO -
CUSTOMER DRAWING			SCALE 5:1	SHEET 2 of 3 REV B

THIS DRAWING IS UNPUBLISHED. RELEASED FOR PUBLICATION. ALL RIGHTS RESERVED.

LOC	DIST	REVISIONS					
GP	00	P	LTR	DESCRIPTION	DATE	DWN	APVD
		-		SEE SHEET 1	-	-	-



PC BOARD MOUNTING DIMENSIONS SCALE 5:1



PANEL CUT-OUT DIMENSIONS SCALE 5:1

COPYRIGHT 2005 TYCO ELECTRONICS CORP ALL RIGHTS RESERVED

THIS DRAWING IS A CONTROLLED DOCUMENT. DIMENSIONING AND TOLERANCING PER ASME Y14.5M-2009		DWN J. ALCORTA - 08-03-05	TE Connectivity	
DIMENSIONS: mm		CHK S. SHUEY	NAME	
TOLERANCES UNLESS OTHERWISE SPECIFIED:		APVD M. WALMSLEY	RECEPTACLE ASSEMBLY, 68 POSITION, STACKED, COVERED, CONTACTS, RIGHT ANGLE, CHAMP 0.8mm	
0 PLC ± -	1 PLC ± -	PRODUCT SPEC	SIZE	CAGE CODE
2 PLC ± 0.13	3 PLC ± -	APPLICATION SPEC	A2	00779
4 PLC ± -	ANGLES ± 1°	WEIGHT	DRAWING NO	RESTRICTED TO
MATERIAL	FINISH	CUSTOMER DRAWING	C=6489232	-
		SCALE	6:1	SHEET
				3 OF 3
				REV
				B