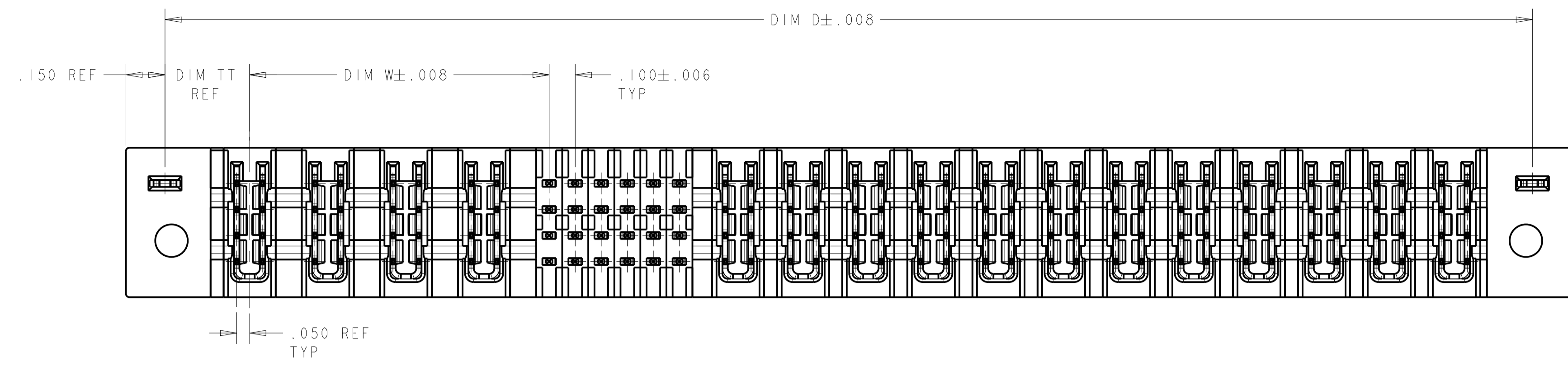
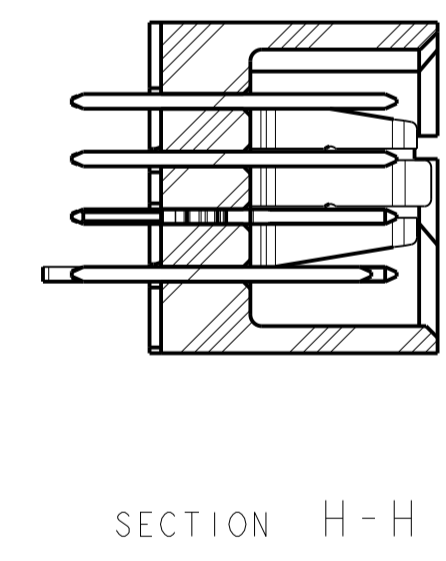
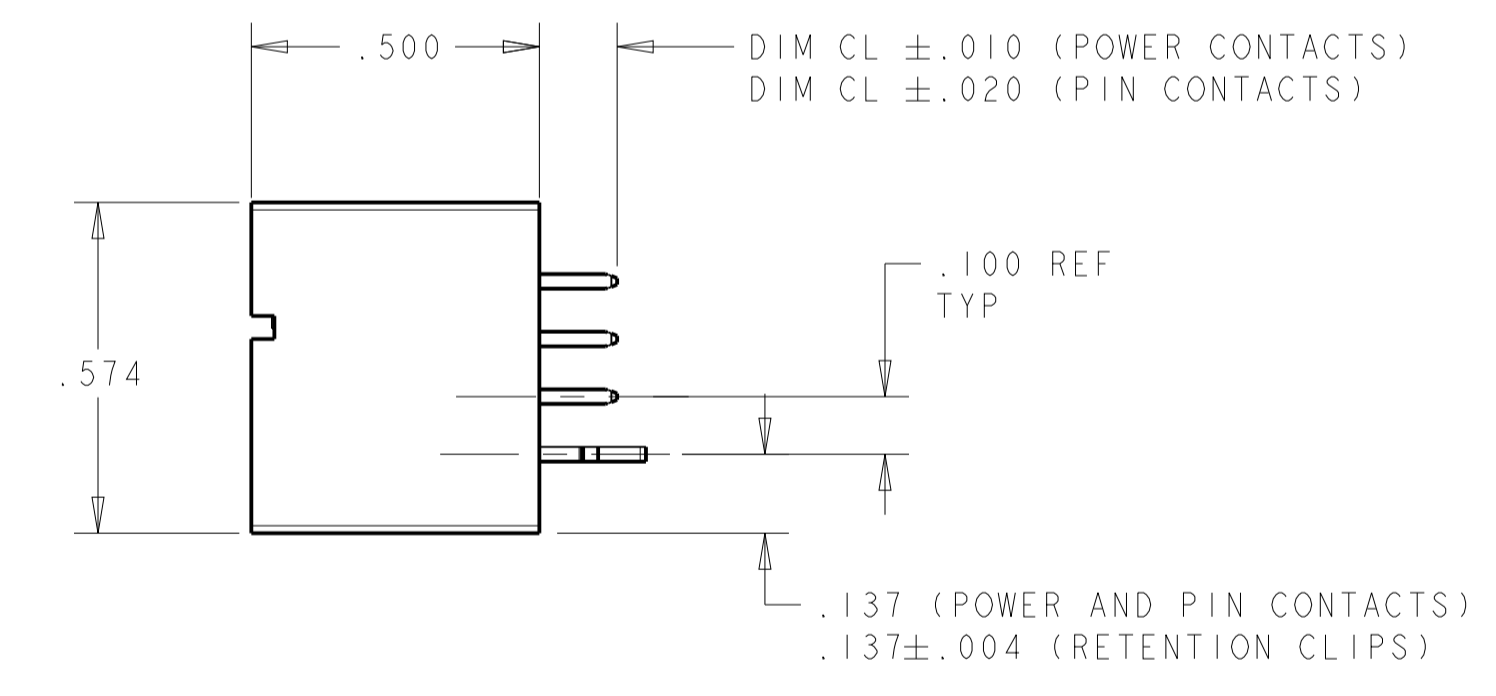
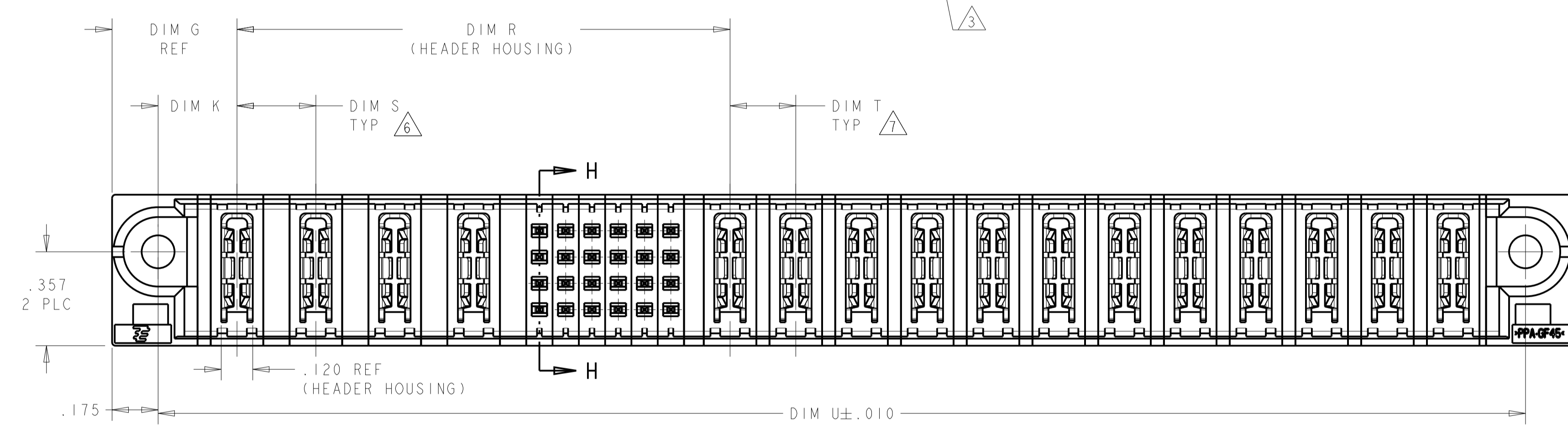
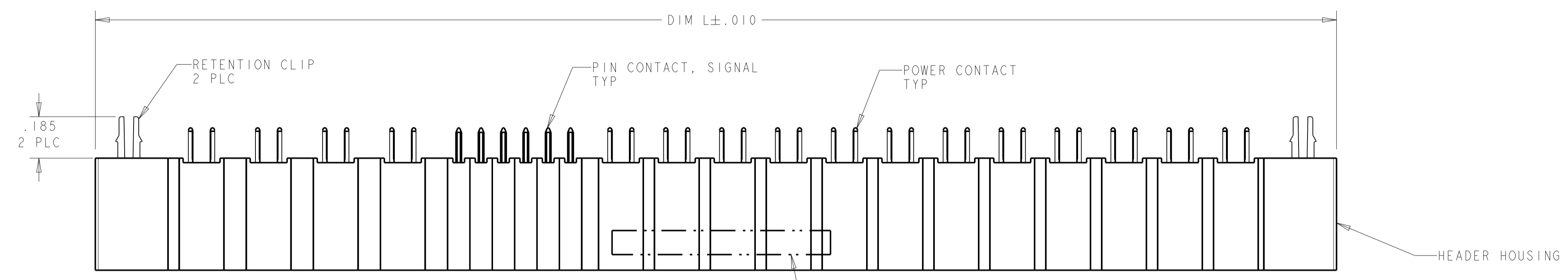


LOC		DIST		REVISIONS			
ES	00	P	LTH	DESCRIPTION	DATE	DWN	APVD
		J8		REVISED -6 TAIL LENGTH TO .135	04JAN21	CZ	SZ



- 1. HEADER HOUSING: THERMO PLASTIC, BLACK, UL94 V-0; CONTACTS AND RETENTION CLIPS: COPPER ALLOY.
- 2. CONTACT PLATING: NOBLE METAL PLATING ON CONTACT FUNCTIONAL AREA OF POWER AND SIGNAL CONTACTS
- 3. "AMP", PART NUMBER AND DATE CODE MARKED IN THIS AREA. PARTS UNDER 2.50 LONG MAY BE MARKED ON BOTH SIDES.
- 4. DATUM AND BASIC DIMENSIONS ESTABLISHED BY CUSTOMER.
- 5. PCB - ALL HOLE DIAMETERS ARE FINISHED HOLE SIZES.
- 6. APPLIES TO POWER MODULES ON LEFT SIDE OF SIGNAL CAVITIES OF HOUSING.
- 7. APPLIES TO POWER MODULES ON RIGHT SIDE OF SIGNAL CAVITIES OF HOUSING.
- 8. MECHANICAL CONNECTOR KEEP OUT ZONE.



THIS DRAWING IS A CONTROLLED DOCUMENT.		DWN: J. McCLINTON 22MAR2005	TE Connectivity
DIMENSIONS: INCH		CHK: D. TROUT 22MAR2005	
TOLERANCES UNLESS OTHERWISE SPECIFIED:		APVD: P. WILBYNE 22MAR2005	NAME: VERTICAL HEADER ASSEMBLY W/ GUIDES AND SOLDER TAILS MULTI-BEAM XL
0 PLC ±	1 PLC ±	PRODUCT SPEC: 108-1973	SIZE: A1
2 PLC ±	3 PLC ±.005	APPLICATION SPEC: 114-13038	CAGE CODE: 6600330
4 PLC ±.0020	ANGLES ±	WEIGHT: -	RESTRICTED TO: -
MATERIAL: -	FINISH: -	CUSTOMER DRAWING	SCALE: 3:1
SHEET 1 OF 10		REV J8	

LOC	DIST	REVISIONS					
		P.	LTN	DESCRIPTION	DATE	DWN	APVD
ES	00	-		SEE SHEET 1	-	-	-

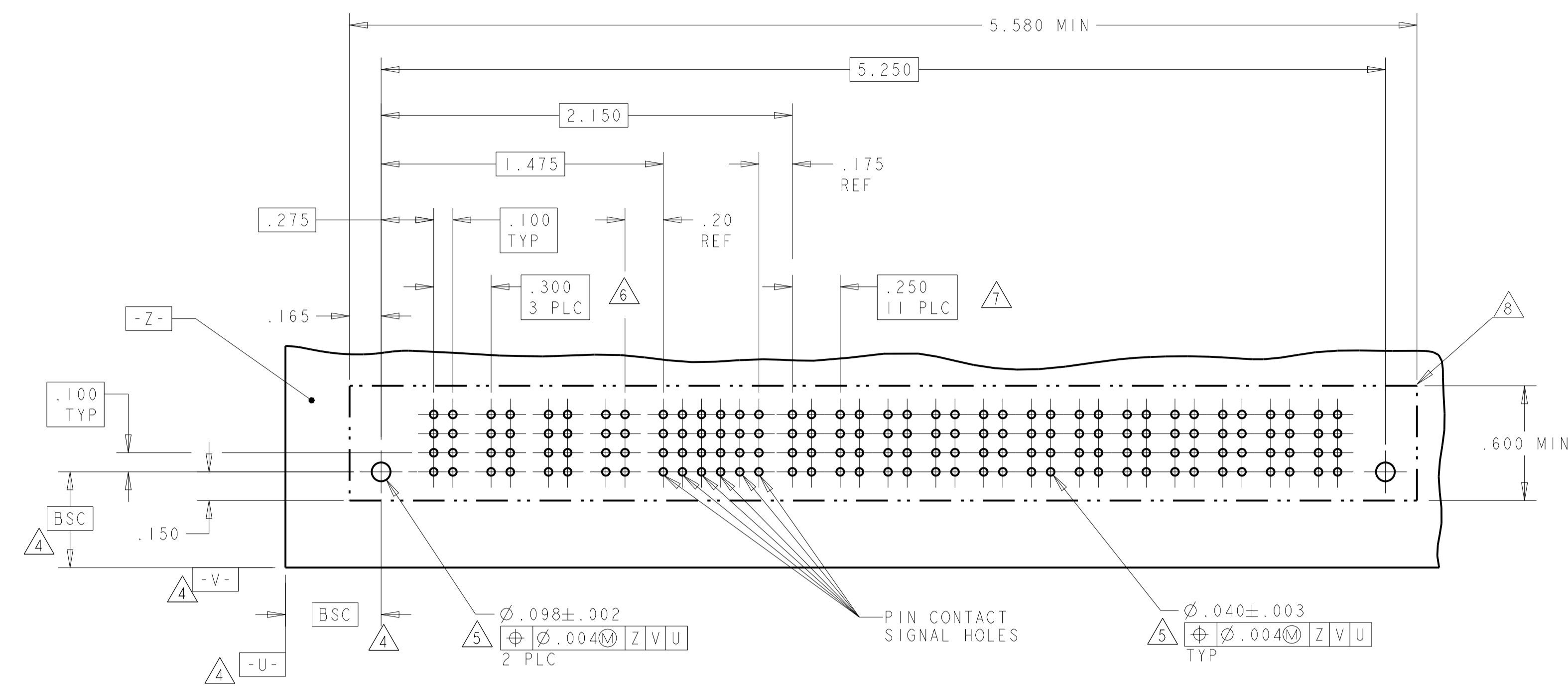
.135	.300	.175	1.600	-	-	1.050	1.950	.275	.450	1.650	YES	1P + 32S + 1P	2-6600330-5
.135	.300	.175	1.300	-	-	.750	1.650	.275	.450	1.350	YES	1P + 20S + 1P	2-6600330-4
.135	.175	-	.400	-	-	-	.750	.200	.375	.450	YES	4S	2-6600330-3
.135	.300	.425	1.600	.250	.250	.800	1.950	.275	.450	1.650	YES	2P + 12S + 2P	2-6600330-1
.135	.300	.925	3.200	.250	.250	1.900	3.550	.275	.450	3.250	YES	4P + 36S + 4P	2-6600330-0
.135	.300	.975	3.000	.250	.250	1.700	3.350	.275	.450	3.050	YES	4P + 24S + 4P	1-6600330-9
.135	.300	.375	2.400	.200	.200	1.650	2.750	.275	.450	2.450	YES	2HDP + 48S + 2HDP	1-6600330-3
.135	.300	.675	2.400	.250	.250	1.350	2.750	.275	.450	2.450	YES	3P + 24S + 3P	1-6600330-2
.135	.325	1.700	4.500	.300	.300	2.400	4.850	.300	.475	4.550	YES	6ACP + 24S + 6ACP	1-6600330-1
.135	.300	2.175	5.400	.250	.250	2.850	5.750	.275	.450	5.450	YES	9P + 24S + 9P	1-6600330-0
.135	.300	.925	2.900	.250	.250	1.600	3.250	.275	.450	2.950	NO	4P + 24S + 4P	6600330-9
.135	.300	.975	3.250	.250	.250	1.700	3.600	.275	.450	3.300	YES	4P + 24S + 5P	6600330-8
.135	.300	.425	1.900	.250	.250	1.100	2.250	.275	.450	1.950	YES	2P + 24S + 2P	6600330-6
.135	.300	1.375	4.000	.200	.200	2.250	4.350	.275	.450	4.050	YES	7P + 32S + 7P	6600330-5
.135	.325	.225	1.575	-	-	.950	1.925	.300	.475	1.625	YES	1P + 24S + 1P	6600330-4
.135	.300	1.975	4.200	.300	.250	2.725	4.550	.275	.450	4.250	YES	8P + 24S + 4ACP	6600330-3
.135	.325	.250	2.500	-	-	1.900	2.850	.300	.475	2.550	YES	1P + 60S + 1P	6600330-2
.135	.325	1.150	5.200	.250	.300	1.875	5.550	.300	.475	5.250	YES	4ACP + 24S + 12P	6600330-1
DIM "CL"	DIM "TT"	DIM "W"	DIM "U"	DIM "T"	DIM "S"	DIM "R"	DIM "L"	DIM "K"	DIM "G"	DIM "D"	RETENTION CLIP	DESCRIPTION	PART NUMBER

J8

THIS DRAWING IS A CONTROLLED DOCUMENT.

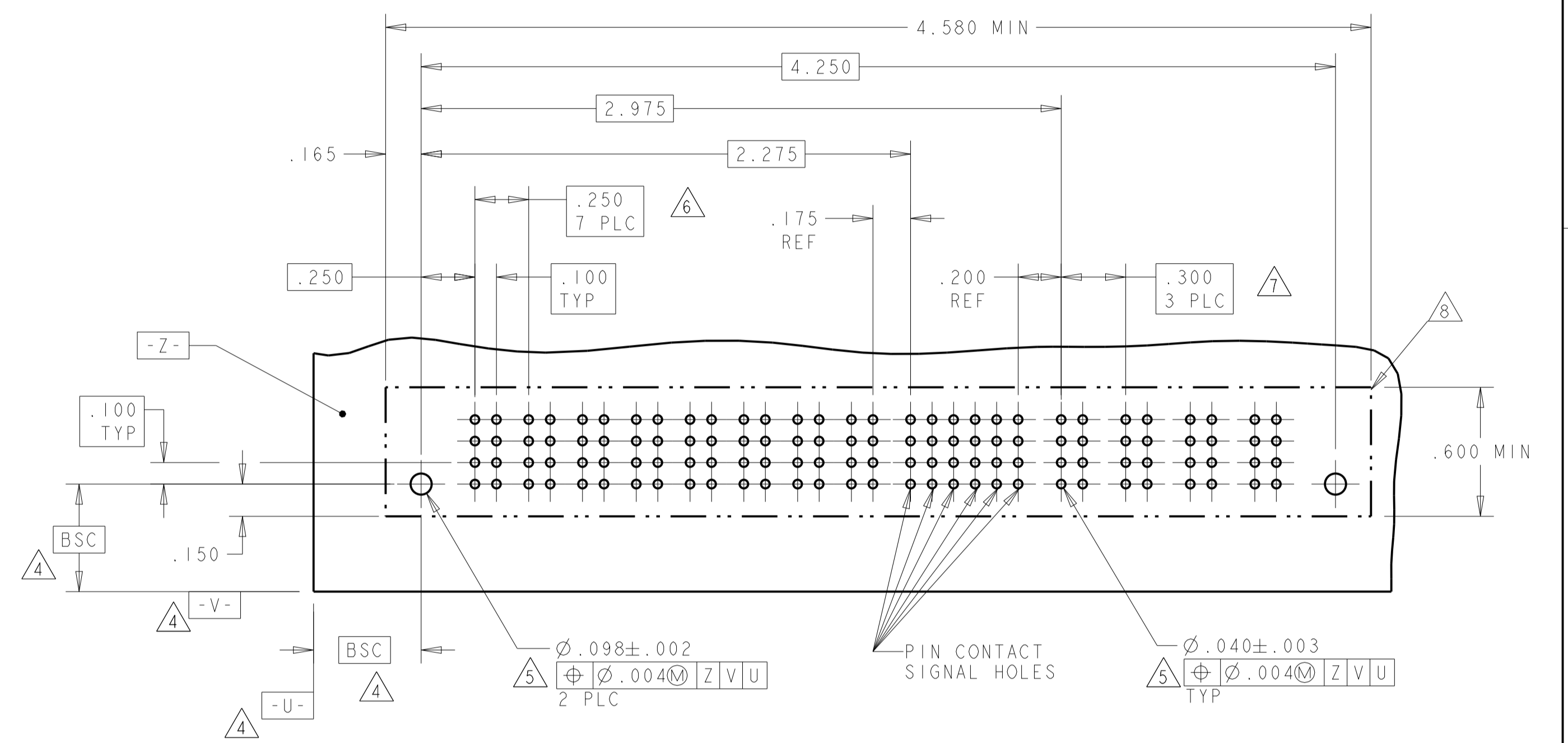
DIMENSIONS: INCH	TOLERANCES UNLESS OTHERWISE SPECIFIED: 0 PLC ±. 1 PLC ±. 2 PLC ±. 3 PLC ±. 4 PLC ±.002 ANGLES ±.002	DWN J. McCLINTON CHK D. TROUT APVD P. WHYNE	22MAR2005 22MAR2005 22MAR2005	NAME VERTICAL HEADER ASSEMBLY W/ GUIDES AND SOLDER TAILS MULTI-BEAM XL	RESTRICTED TO
MATERIAL	FINISH	PRODUCT SPEC 108-1973	APPLICATION SPEC 114-13038	SIZE A1	CAGE CODE 6600330
CUSTOMER DRAWING		SCALE 4:1	SHEET 2	OF 10	REV J8

PART NUMBER	ROWS	POWER				SIGNAL						POWER																	
		P1	P2	P3	P4	1	2	3	4	5	6	P5	P6	P7	P8	P9	P10	P11	P12	P13	P14	P15	P16						
6600330-1	D	SZ	SZ	SZ	SZ	SV	SV	SV	SV	SV	SV	SV	SV	SV	SV	SV	SV	SV	SV	SV	SV	SV	SV	SV					
	C					SV	SV	SV	SV	SV	SV	SV	SV	SV	SV	SV	SV	SV	SV	SV	SV	SV	SV	SV	SV				
	B					SV	SV	SV	SV	SV	SV	SV	SV	SV	SV	SV	SV	SV	SV	SV	SV	SV	SV	SV	SV				
	A					SV	SV	SV	SV	SV	SV	SV	SV	SV	SV	SV	SV	SV	SV	SV	SV	SV	SV	SV	SV				
4P+24S+12P		HD																										HD	



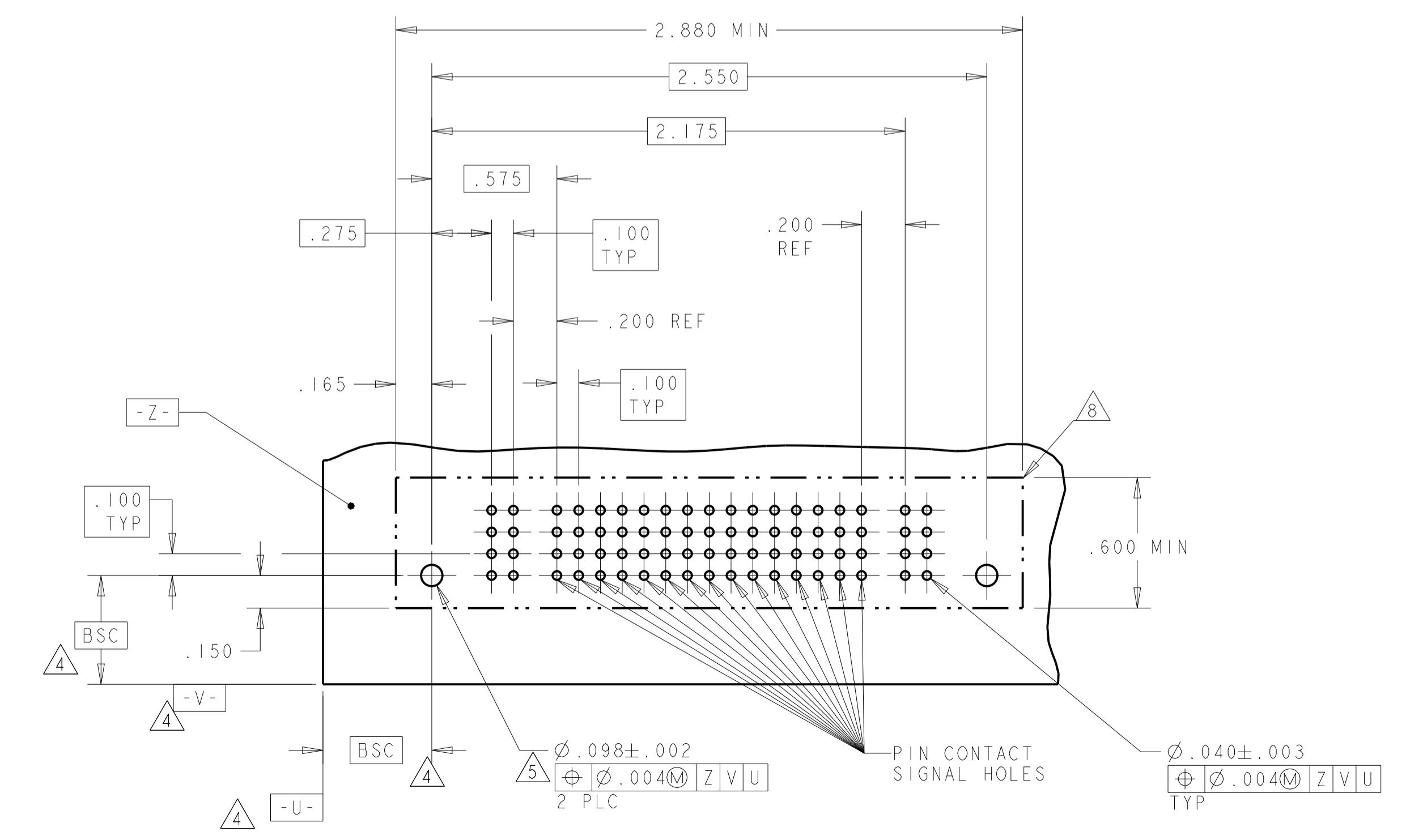
RECOMMENDED PCB LAYOUT 6600330-1  
SCALE 2:1

PART NUMBER	ROWS	POWER				SIGNAL						POWER					
		P1	P2	P3	P4	1	2	3	4	5	6	P9	P10	P11	P12		
6600330-3	D	SZ	SZ	SZ	SZ	SV	SV	SV	SV	SV	SV	SV	SV	SV	SV		
	C					SV	SV	SV	SV	SV	SV	SV	SV	SV	SV		
	B					SV	SV	SV	SV	SV	SV	SV	SV	SV	SV		
	A					SV	SV	SV	SV	SV	SV	SV	SV	SV	SV		
8P+24S+4ACP		HD														HD	



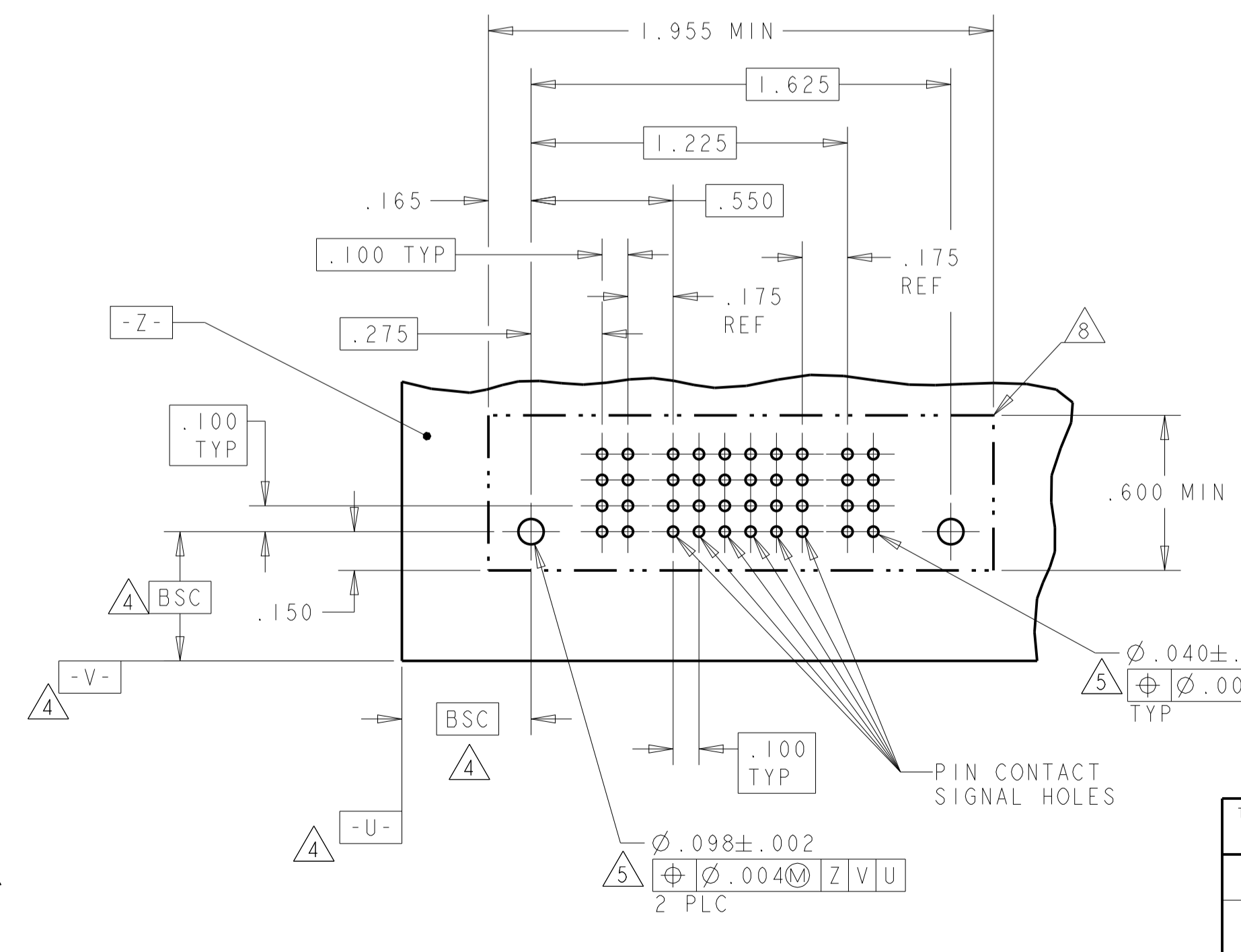
RECOMMENDED PCB LAYOUT 6600330-3  
SCALE 2:1

PART NUMBER	ROWS	SIGNAL															POWER			
		1	2	3	4	5	6	7	8	9	10	11	12	13	14	15	P2			
6600330-2	D	SZ	SV	SV	SV	SV	SV	SV	SV	SV	SV	SV	SV	SV	SV	SV	SV	SZ		
	C		SV	SV	SV	SV	SV	SV	SV	SV	SV	SV	SV	SV	SV	SV				
	B		SV	SV	SV	SV	SV	SV	SV	SV	SV	SV	SV	SV	SV	SV				
	A		SV	SV	SV	SV	SV	SV	SV	SV	SV	SV	SV	SV	SV	SV				
1P+60S+1P		HD																	HD	



RECOMMENDED PCB LAYOUT 6600330-2  
SCALE 2:1

PART NUMBER	ROWS	SIGNAL						POWER			
		1	2	3	4	5	6	P2			
6600330-4	D	SZ	SV	SV	SV	SV	SV	SV	SZ		
	C		SV	SV	SV	SV	SV	SV			
	B		SV	SV	SV	SV	SV	SV			
	A		SV	SV	SV	SV	SV	SV			
1P+24S+1P		HD								HD	



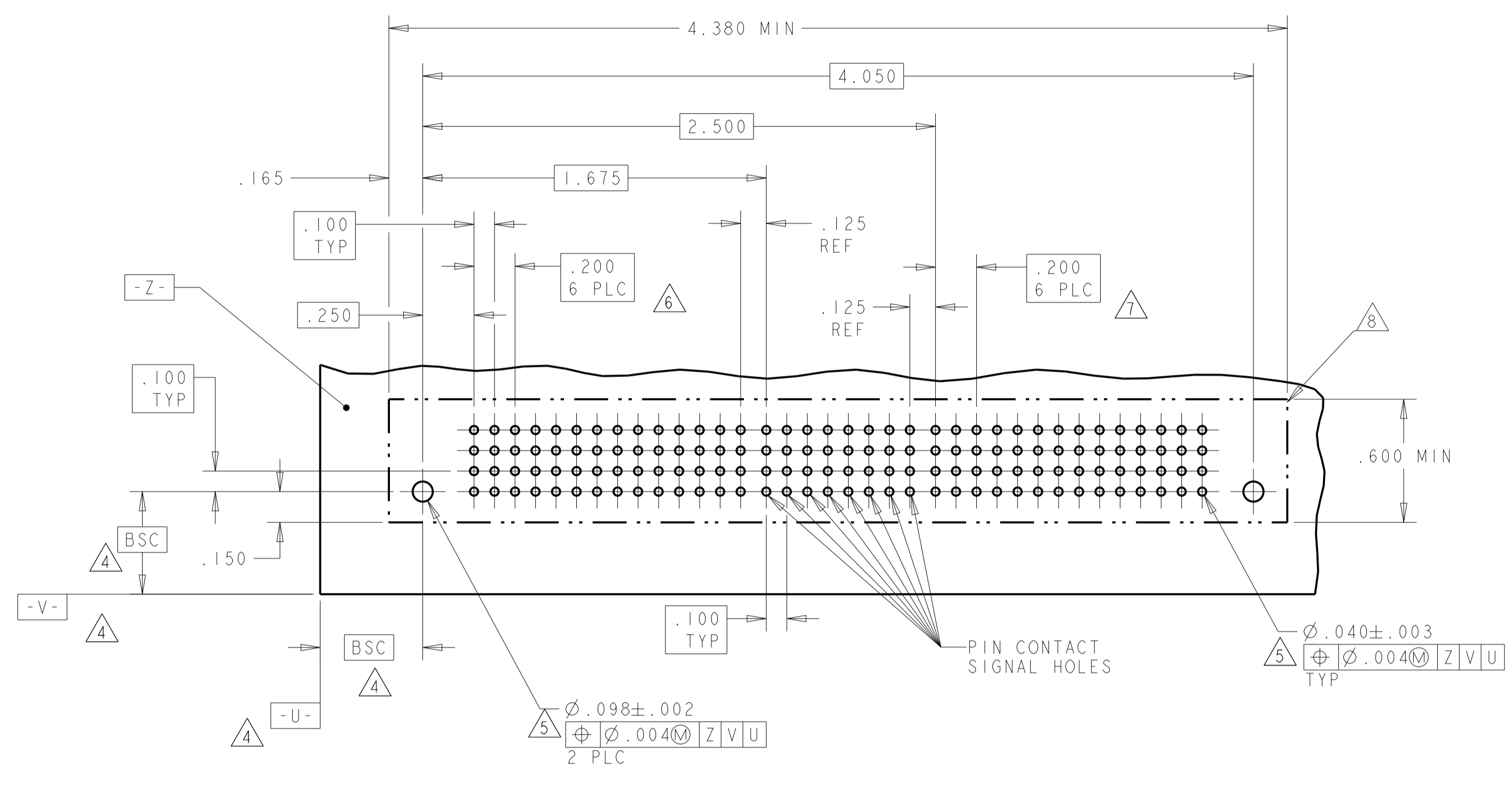
RECOMMENDED PCB LAYOUT 6600330-4  
SCALE 2:1

-	RETENTION CLIP	HD
STANDARD	SIGNAL CONTACT	SV or MV
MLBF	SIGNAL CONTACT	SS or MS
-	POWER CONTACT	SZ or MP
MATING SEQUENCE	DESCRIPTION	IDENTIFIER

THIS DRAWING IS A CONTROLLED DOCUMENT.		OWN: J. McCLINTON 22MAR2005	NAME: VERTICAL HEADER ASSEMBLY W/ GUIDES AND SOLDER TAILS MULTI-BEAM XL
DIMENSIONS: INCH		CHK: D. TROUT 22MAR2005	SIZE: CAGE CODE DRAWING NO
TOLERANCES UNLESS OTHERWISE SPECIFIED:		APPV: P. MLYNE 22MAR2005	RESTRICTED TO
0 PLC ±	1 PLC ±	2 PLC ±	3 PLC ±
4 PLC ±.005	5 PLC ±.002	6 PLC ±.002	7 PLC ±.002
MATERIAL:		PRODUCT SPEC: 108-1973	SCALE: 4:1
FINISH:		APPLICATION SPEC: 114-13038	SHEET 3 OF 10
WEIGHT:		REVISION: A100779	REV J8
CUSTOMER DRAWING		DATE: 22MAR2005	REV: 108-1973

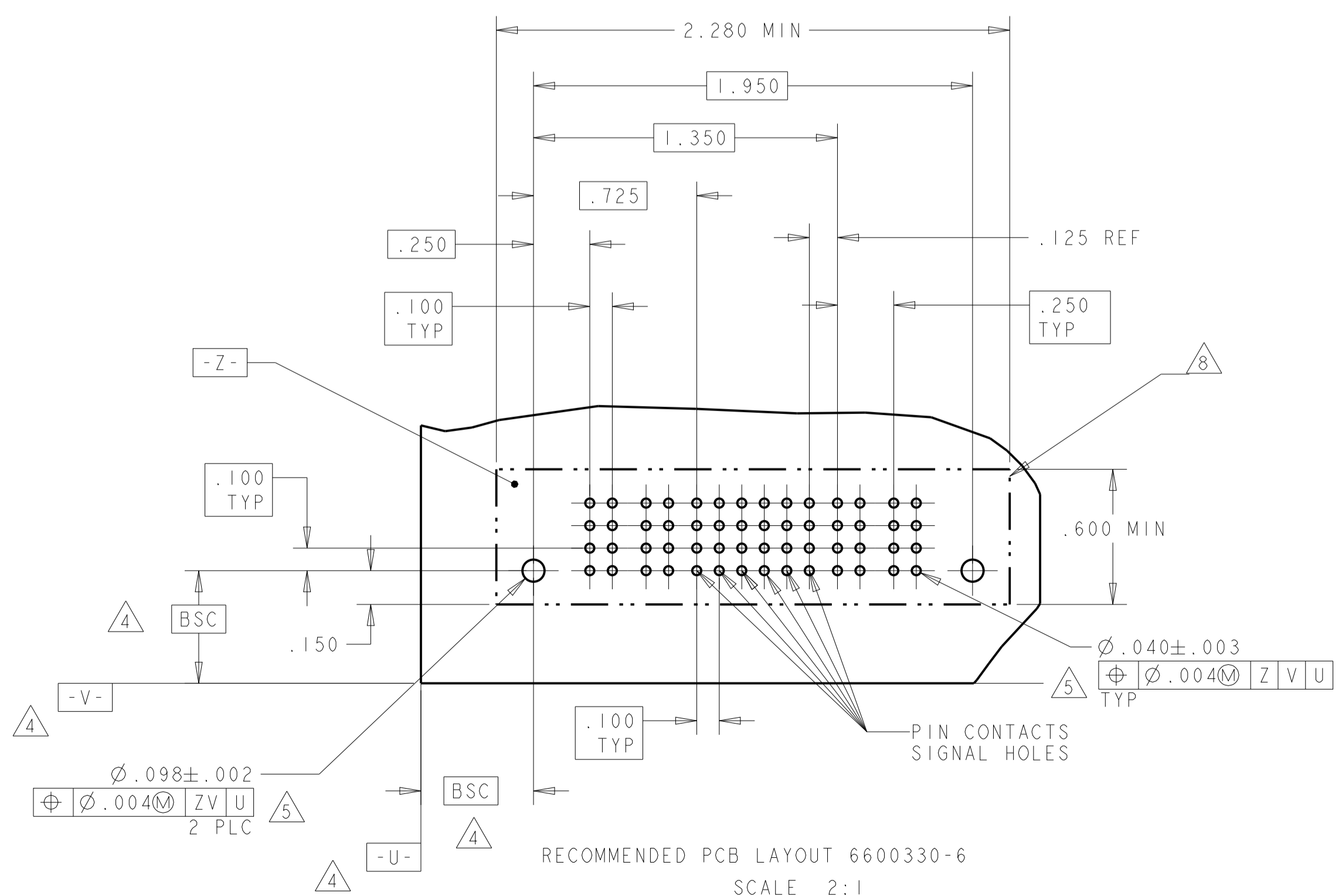
LOC	DIST	REVISIONS				
P	LTM	DESCRIPTION	DATE	DWN	APVD	
ES	00	SEE SHEET 1				

PART NUMBER	ROWS	POWER						SIGNAL								POWER						HD		
		P1	P2	P3	P4	P5	P6	P7	1	2	3	4	5	6	7	8	P8	P9	P10	P11	P12		P13	P14
6600330-5	D	SZ	SZ	SZ	SZ	SZ	SZ	SV	SV	SV	SV	SV	SV	SV	SV	SZ	SZ	SZ	SZ	SZ	SZ	SZ	SZ	
	C							SV	SV	SV	SV	SV	SV	SV	SV									
	B							SV	SV	SV	SV	SV	SV	SV	SV									SV
	A							SV	SV	SV	SV	SV	SV	SV	SV									SV
7P+32S+7P		HD																					HD	



RECOMMENDED PCB LAYOUT 6600330-5  
SCALE 2:1

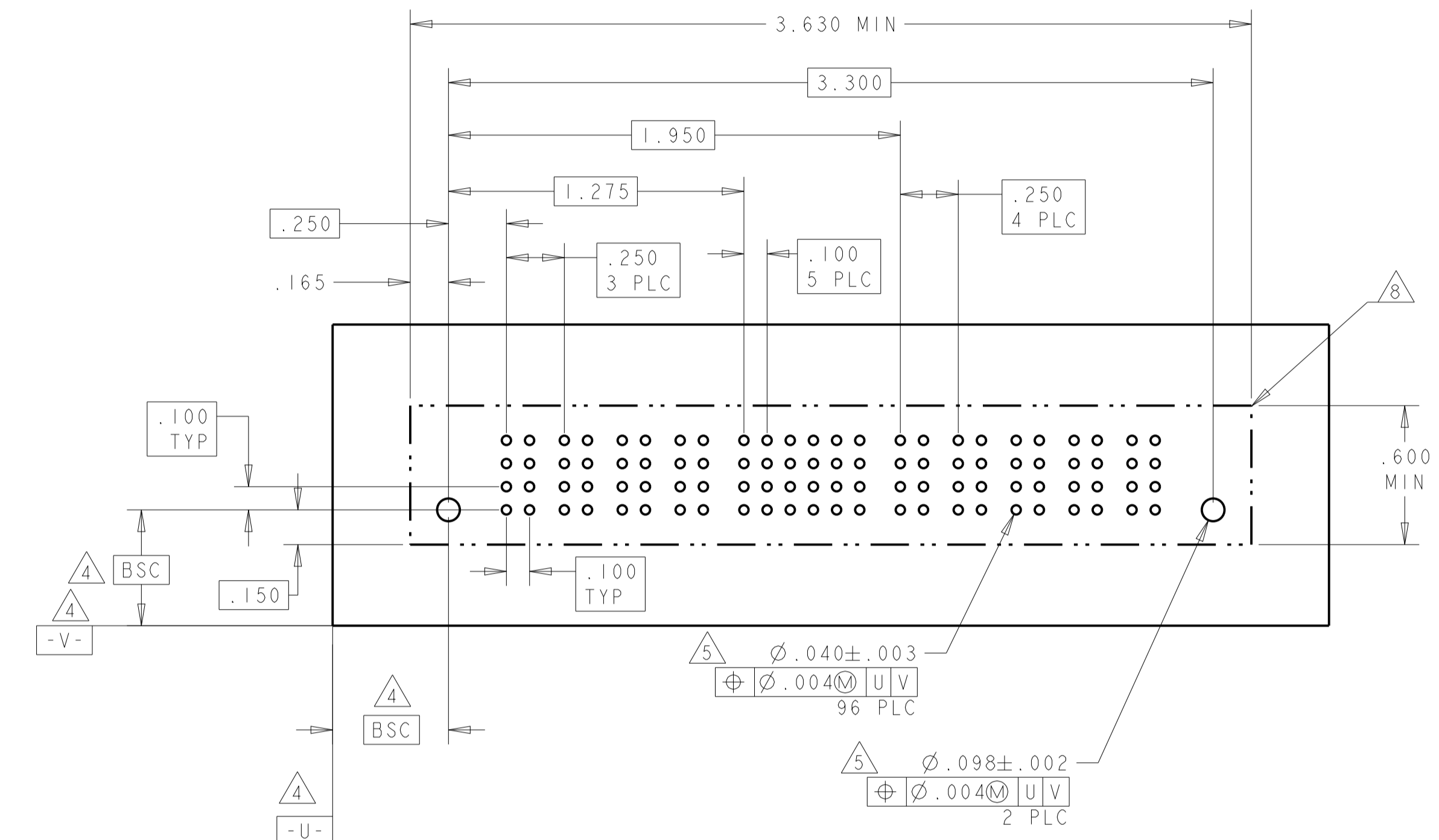
PART NUMBER	ROWS	POWER		SIGNAL						POWER		HD
		P1	P2	1	2	3	4	5	6	P3	P4	
6600330-6	D	SZ	SZ	SV	SV	SS	SV	SV	SV	SZ	SZ	
	C			SV	SV	SV	SV	SV	SV			
	B			SV	SV	SS	SV	SV	SV			
	A			SV	SV	SV	SV	SV	SV			
2P+24S+2P		HD									HD	



RECOMMENDED PCB LAYOUT 6600330-6  
SCALE 2:1

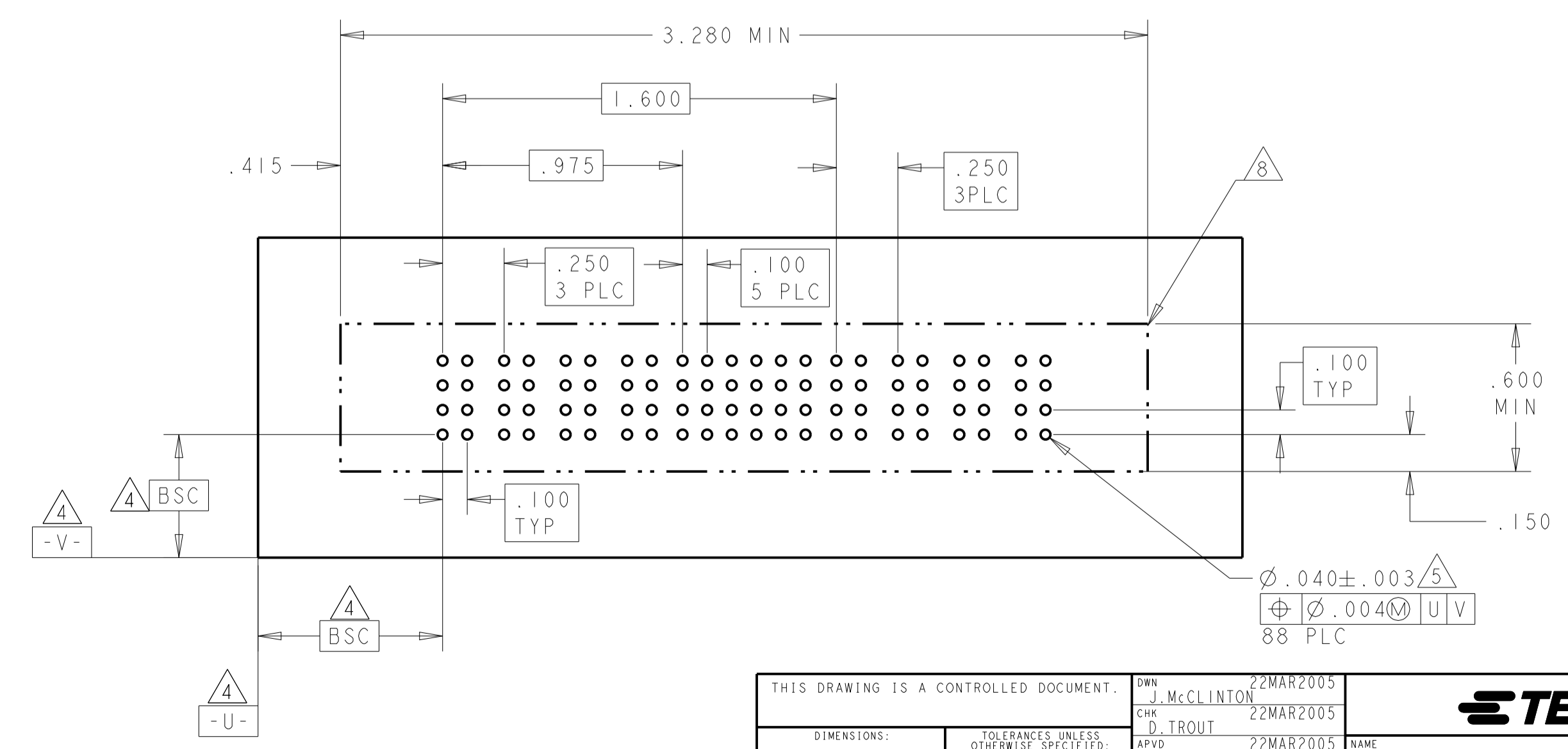
PART NUMBER	ROWS	POWER				SIGNAL						POWER					HD
		P1	P2	P3	P4	1	2	3	4	5	6	P5	P6	P7	P8	P9	
6600330-8	D	SZ	SZ	SZ	SZ	SS	SV	SS	SV	SV	SZ	SZ	SZ	SZ	SZ	SZ	
	C					SV	SV	SV	SV	SV							
	B					SV	SS	SV	SV	SV							
	A					SS	SS	SV	SV	SS							
4P+24S+5P		HD															HD

NO CONTACTS LOADED



RECOMMENDED PCB LAYOUT FOR 6600330-8

PART NUMBER	ROWS	POWER				SIGNAL						POWER				HD
		P1	P2	P3	P4	1	2	3	4	5	6	P5	P6	P7	P8	
6600330-9	D	SZ	SZ	SZ	SZ	SV	SV	SV	SV	SV	SV	SZ	SZ	SZ	SZ	
	C					SV	SV	SV	SV	SV	SV					
	B					SV	SV	SV	SV	SV	SV					
	A					SV	SV	SV	SV	SV	SV					
4P+24S+4P		HD													HD	



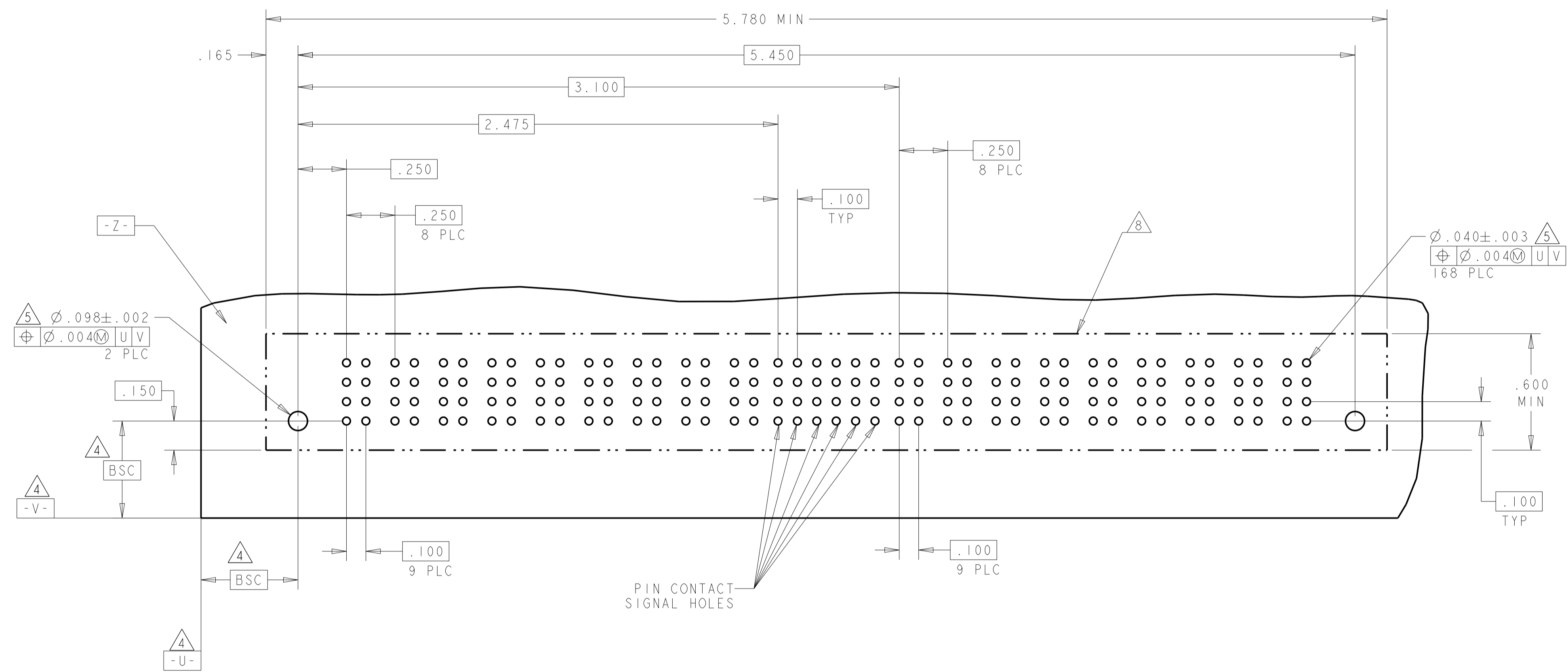
THIS DRAWING IS A CONTROLLED DOCUMENT.

DIMENSIONS: INCH 	TOLERANCES UNLESS OTHERWISE SPECIFIED: 0 PLC ± 1 PLC ± 3 PLC ± 4 PLC ±.005 5 PLC ±.002 ANGLES ±.020	DWN: J. McCLINTON 22MAR2005 CHK: D. TROUT 22MAR2005 APVD: B. WHYNE 22MAR2005 PRODUCT SPEC: 108-1973 APPLICATION SPEC: 114-13038 WEIGHT: A100779 CUSTOMER DRAWING	NAME: VERTICAL HEADER ASSEMBLY W/ GUIDES AND SOLDER TAILS MULTI-BEAM XL SIZE: CAGE CODE DRAWING NO: 6600330 SHEET 4 OF 10 REV J8
-------------------------	---	--	---

TE Connectivity

LOC	DIST	REVISIONS			
ES	00	REV	DATE	BY	APPD
-	-	SEE SHEET 1	-	-	-

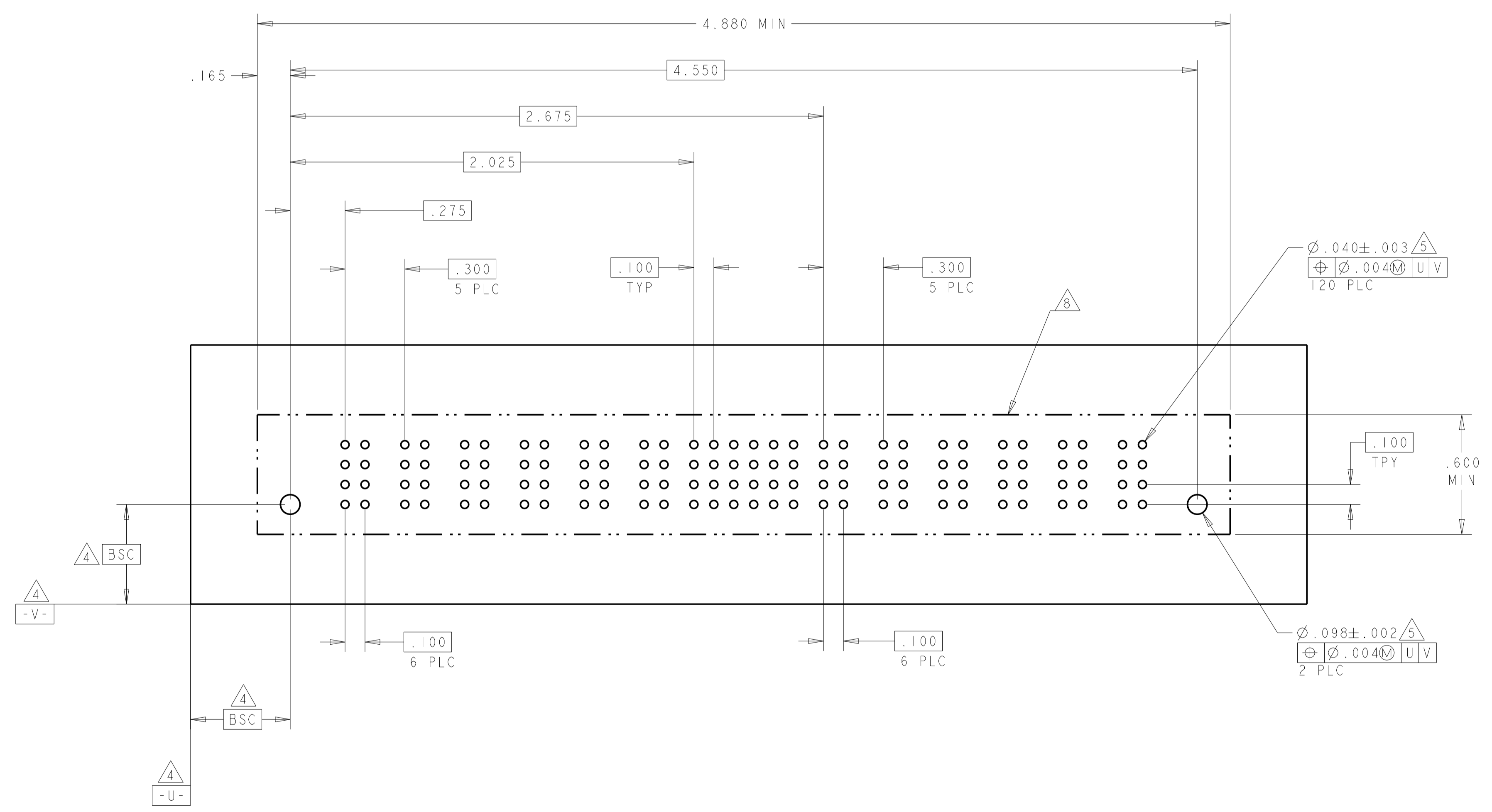
PART NUMBER	ROWS	POWER									SIGNAL						POWER												
		P1	P2	P3	P4	P5	P6	P7	P8	P9	1	2	3	4	5	6	P10	P11	P12	P13	P14	P15	P16	P17	P18				
I-6600330-0	D		SZ	SZ	SZ	SZ	SZ	SZ	SZ	SZ	SV	SV	SV	SV	SV	SV	SZ	SZ	SZ	SZ	SZ	SZ	SZ	SZ	SZ				
	SV										SV	SV	SV	SV	SV														
	SV										SV	SV	SV	SV	SV														
	SV										SV	SV	SV	SV	SV														
9P+24S+9P	HD																												HD



THIS DRAWING IS A CONTROLLED DOCUMENT.		DWN: J. McCLINTON 22MAR2005 CHK: D. TROUT 22MAR2005 APVD: P. WHYNE 22MAR2005	TE Connectivity
DIMENSIONS: INCH	TOLERANCES UNLESS OTHERWISE SPECIFIED: 0 PLC ±. 1 PLC ±. 2 PLC ±. 3 PLC ±.005 4 PLC ±.0020 ANGLES ±.	PRODUCT SPEC: 108-1973 APPLICATION SPEC: 114-13038 WEIGHT:	
MATERIAL: -		FINISH: -	RESTRICTED TO: CUSTOMER DRAWING SCALE: 4:1 SHEET: 5 OF 10 REV: J8

LOC	DIST	REVISIONS					
		P	LTN	DESCRIPTION	DATE	DWN	APVD
ES	00	-		SEE SHEET 1	-	-	-

PART NUMBER	ROWS	POWER						SIGNAL						POWER						
		P1	P2	P3	P4	P5	P6	1	2	3	4	5	6	P7	P8	P9	P10	P11	P12	
I-6600330-1	D	SZ	SZ	SZ	SZ	SZ	SZ	SV	SV	SV	SV	SV	SV	SZ	SZ	SZ	SZ	SZ	SZ	
	C							SS	SS	SS	SS	SS	SS							
	B							SS	SS	SS	SS	SS	SS							
	A							SS	SS	SS	SS	SS	SS							
6ACP+24S+6ACP	HD																			HD

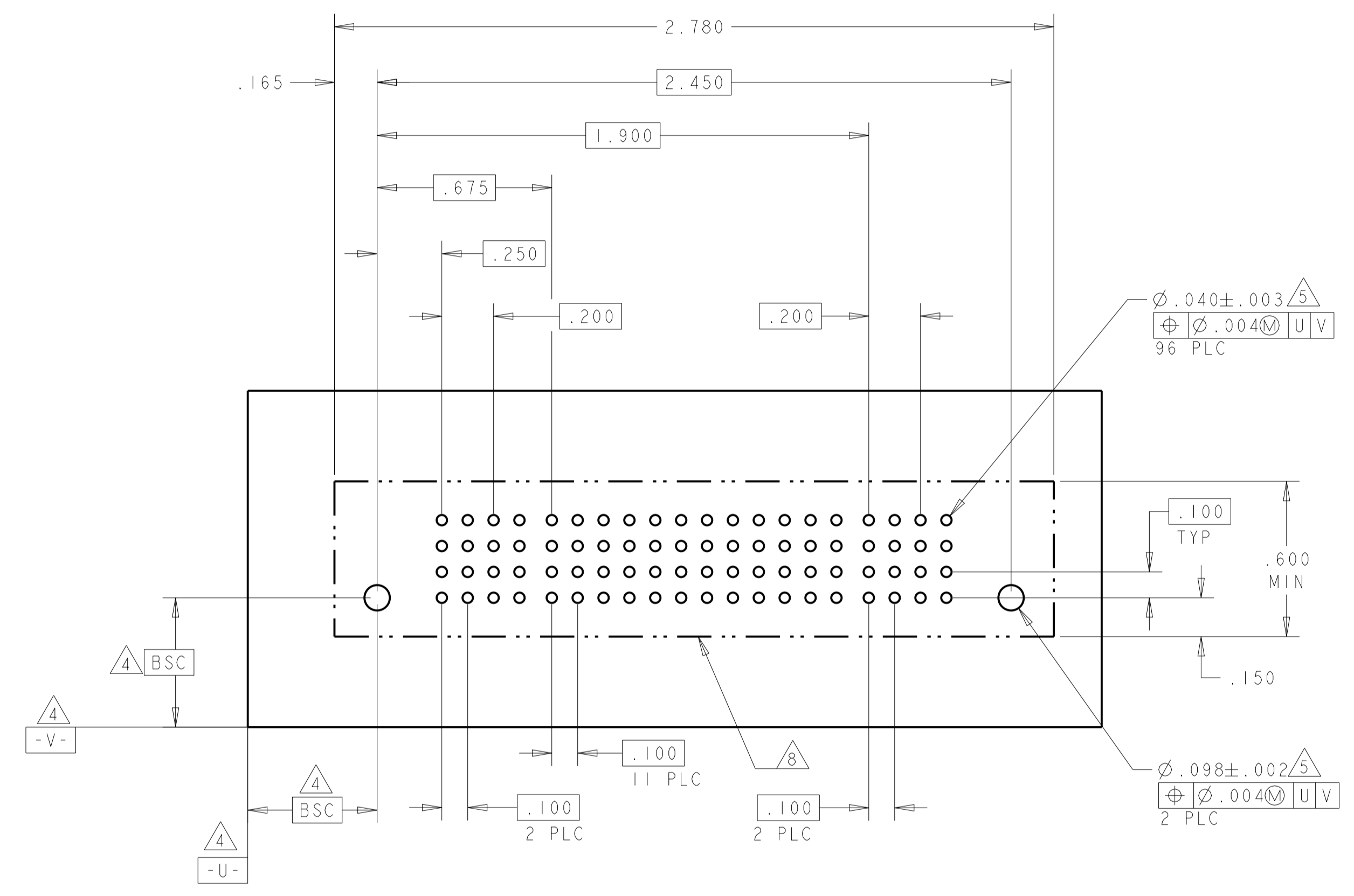
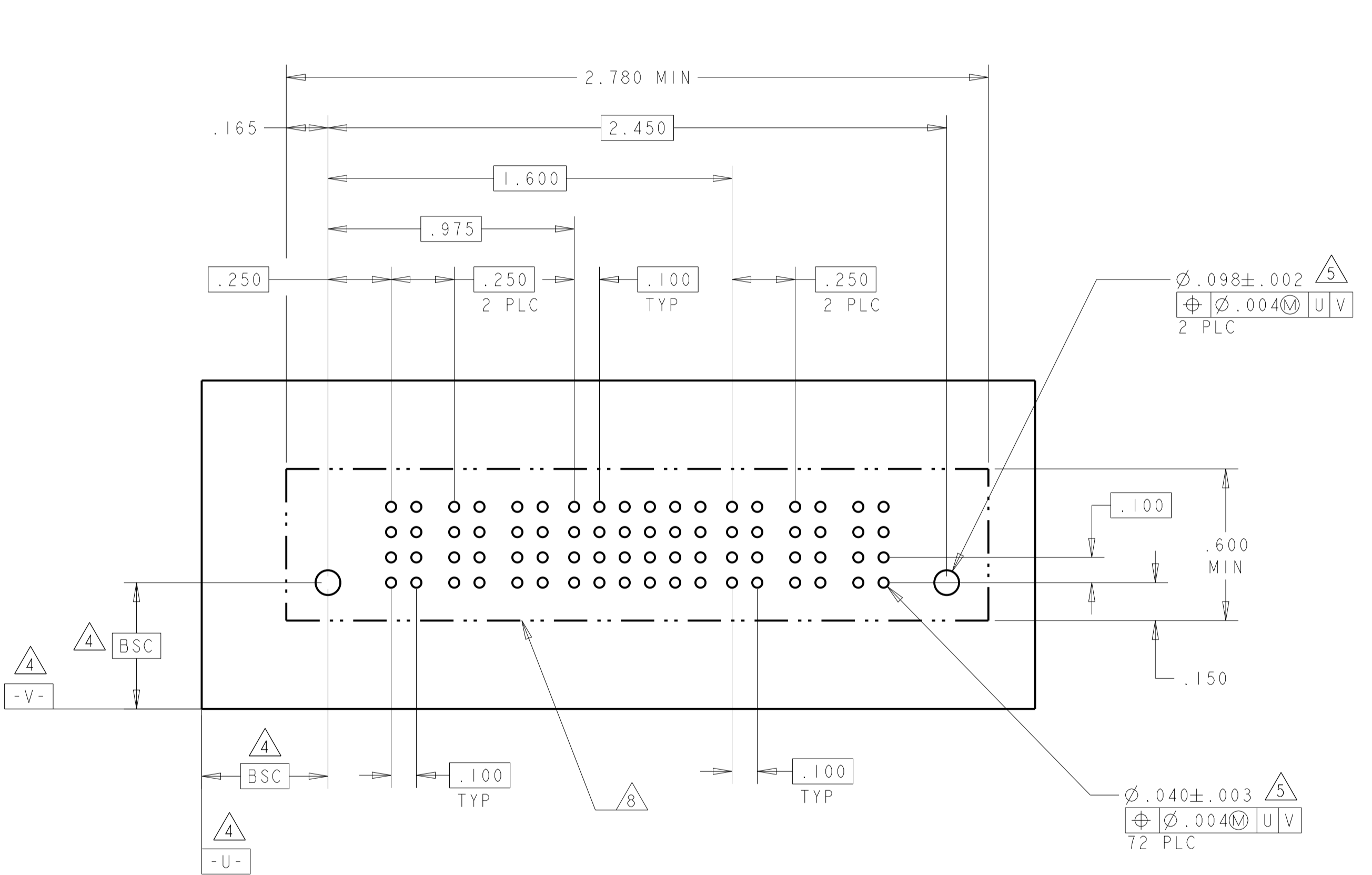


THIS DRAWING IS A CONTROLLED DOCUMENT.		DWN: J. McCLINTON 22MAR2005	
DIMENSIONS: INCH		CHK: D. TROUT 22MAR2005	
TOLERANCES UNLESS OTHERWISE SPECIFIED:		APVD: P. WHYNE 22MAR2005	NAME: VERTICAL HEADER ASSEMBLY W/ GUIDES AND SOLDER TAILS MULTI-BEAM XL
0 PLC ±	1 PLC ±	2 PLC ±	3 PLC ±
4 PLC ±.005	ANGLES ±.0020	FINISH: -	
MATERIAL: -		WEIGHT: -	RESTRICTED TO: -
CUSTOMER DRAWING		SCALE: 4:1	SHEET 6 OF 10

LOC		DIST		REVISIONS			
ES	00	REV	DATE	DESCRIPTION	DATE	BY	APPV
		-		SEE SHEET 1			

PART NUMBER	ROWS	POWER			SIGNAL						POWER		
		P1	P2	P3	1	2	3	4	5	6	P4	P5	P6
1-6600330-2	D	SZ	SZ	SZ	SV	SV	SV	SV	SV	SV	SZ	SZ	SZ
	C				SV	SV	SV	SV	SV	SV			
	B				SV	SV	SV	SV	SV	SV			
	A				SV	SV	SV	SV	SV	SV			
3P + 24S + 3P													

PART NUMBER	ROWS	POWER		SIGNAL												POWER				
		P1	P2	1	2	3	4	5	6	7	8	9	10	11	12	P3	P4			
1-6600330-3	D	SZ	SZ	SV	SV	SS	SS	SV	SS	SS	SV	SS	SS	SV	SS	SS	SV	SS	SZ	SZ
	C			SS	SS	SV	SS	SS	SS	SS	SV	SS	SS	SS	SS					
	B			SV	SV	SS	SS	SS	SS	SS	SV	SS	SS	SS						
	A			SS	SS	SV	SS	SS	SS	SS	SV	SS	SS	SS						
2HDP + 48S + 2HDP																				

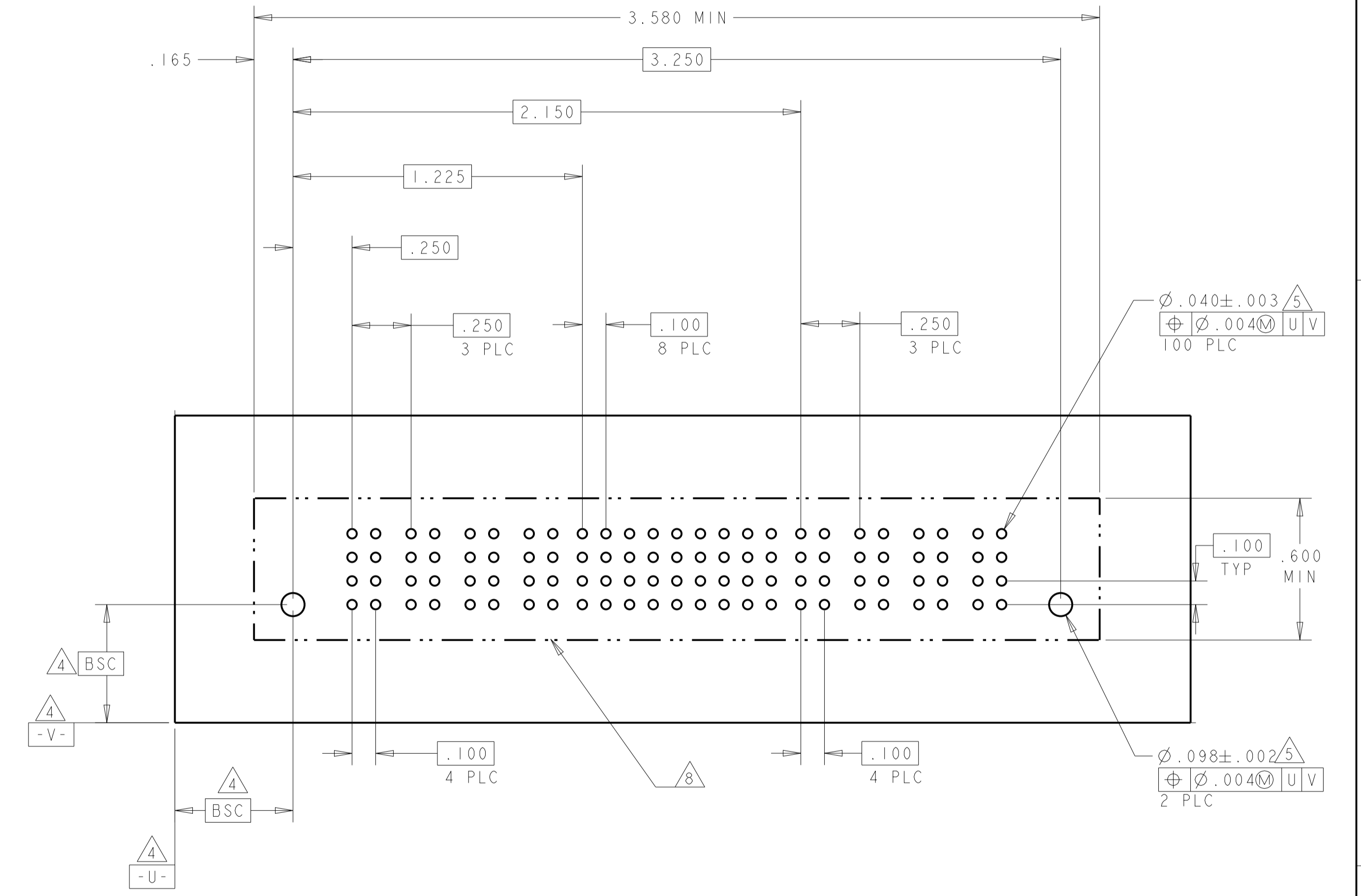
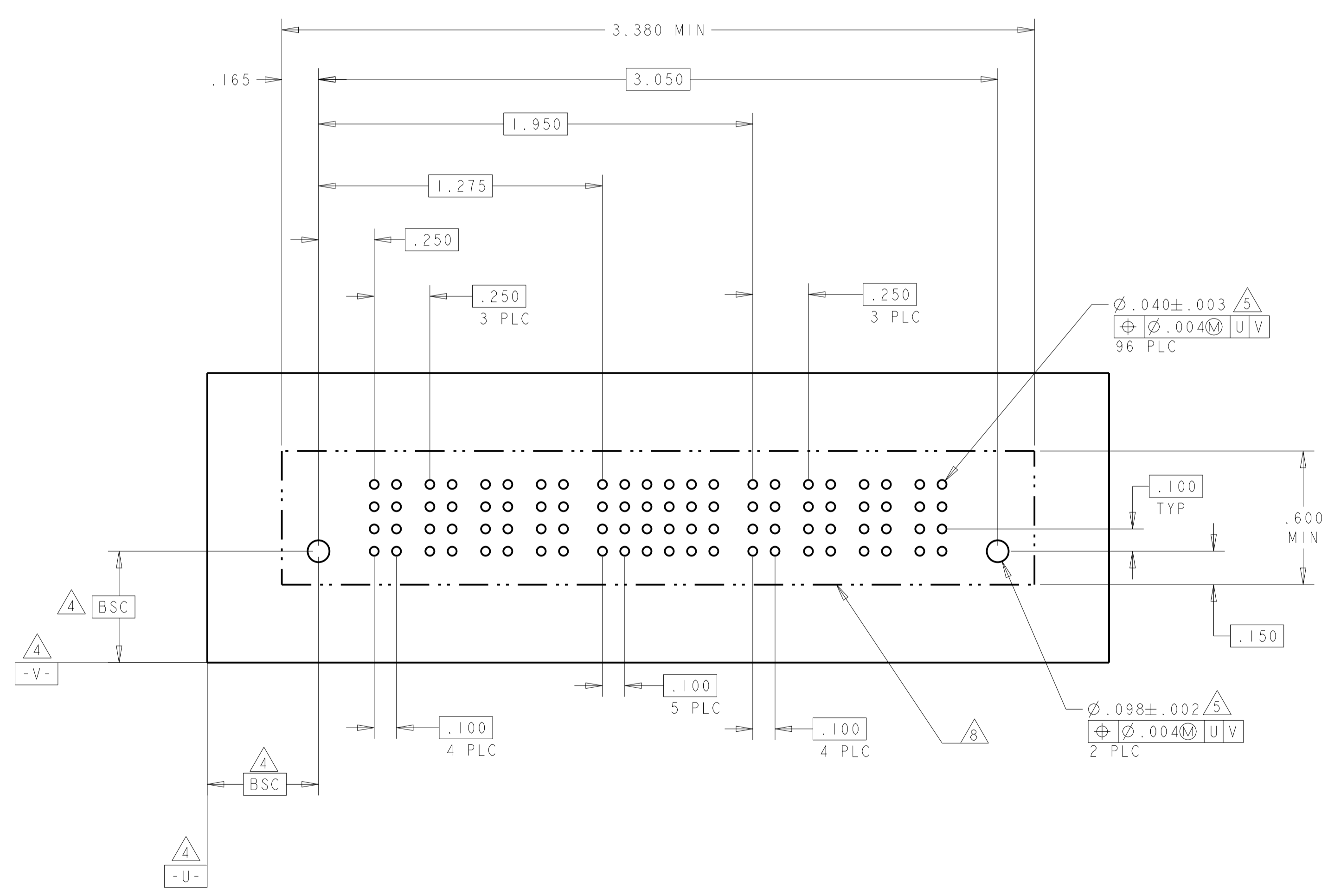


THIS DRAWING IS A CONTROLLED DOCUMENT.		OWN	J. McCLINTON	22MAR2005	TE Connectivity
DIMENSIONS: INCH		CHK	D. TROUT	22MAR2005	
TOLERANCES UNLESS OTHERWISE SPECIFIED:		APVD	P. WHYNE	22MAR2005	NAME
0 PLC	±	PRODUCT SPEC		VERTICAL HEADER ASSEMBLY W/ GUIDES AND SOLDER TAILS MULTI-BEAM XL	
2 PLC	±	APPLICATION SPEC		108-1973	
3 PLC	±	WEIGHT		114-13038	
4 PLC	±	SCALE		4:1	
5 PLC	±	SHEET		7 OF 10	
ANGLES	±	REV		J8	
FINISH	-	CUSTOMER DRAWING		A100779C=6600330	

LOC		DIST		REVISIONS				
ES	00	P	LTN	DESCRIPTION	DATE	DMN	APVD	
-	-	-	-	SEE SHEET 1	-	-	-	

PART NUMBER	ROWS	POWER				SIGNAL						POWER			
		P1	P2	P3	P4	1	2	3	4	5	6	P5	P6	P7	P8
1-6600330-9	D	SZ	SZ	SZ	SZ	SS	SS	SS	SS	SV	SS	SZ	SZ	SZ	SZ
	C					SS	SS	SS	SS	SV	SS				
	B					SS	SS	SS	SS	SV	SS				
	A					SS	SS	SV	SS	SV	SS				
4P+24S+4P		HD													HD

PART NUMBER	ROWS	POWER				SIGNAL									POWER			
		P1	P2	P3	P4	1	2	3	4	5	6	7	8	9	P5	P6	P7	P8
2-6600330-0	D	SZ	SZ	SZ	SZ	SV	SV	SV	SV	SV	SV	SV	SV	SV	SZ	SZ	SZ	SZ
	C					SV	SV	SV	SV	SV	SV	SV	SV	SV				
	B					SV	SV	SV	SV	SV	SV	SV	SV	SV				
	A					SV	SV	SV	SV	SV	SV	SV	SV	SV				
4P+36S+4P		HD																HD



THIS DRAWING IS A CONTROLLED DOCUMENT.

DIMENSIONS:	TOLERANCES UNLESS OTHERWISE SPECIFIED:	DMN	J. McCLINTON	22MAR2005
INCH	0 PLC ± .005	CHK	D. TROUT	22MAR2005
	1 PLC ± .005	APVD	P. WHYNE	22MAR2005
	2 PLC ± .005	PRODUCT SPEC		
	3 PLC ± .005	APPLICATION SPEC		
	4 PLC ± .002	SIZE	114-13038	114-13038
MATERIAL	FINISH	WEIGHT		
		CUSTOMER DRAWING		

TE Connectivity  
 VERTICAL HEADER ASSEMBLY  
 W/ GUIDES AND SOLDER TAILS  
 MULTI-BEAM XL

SCALE 4:1 SHEET 8 OF 10 REV J8

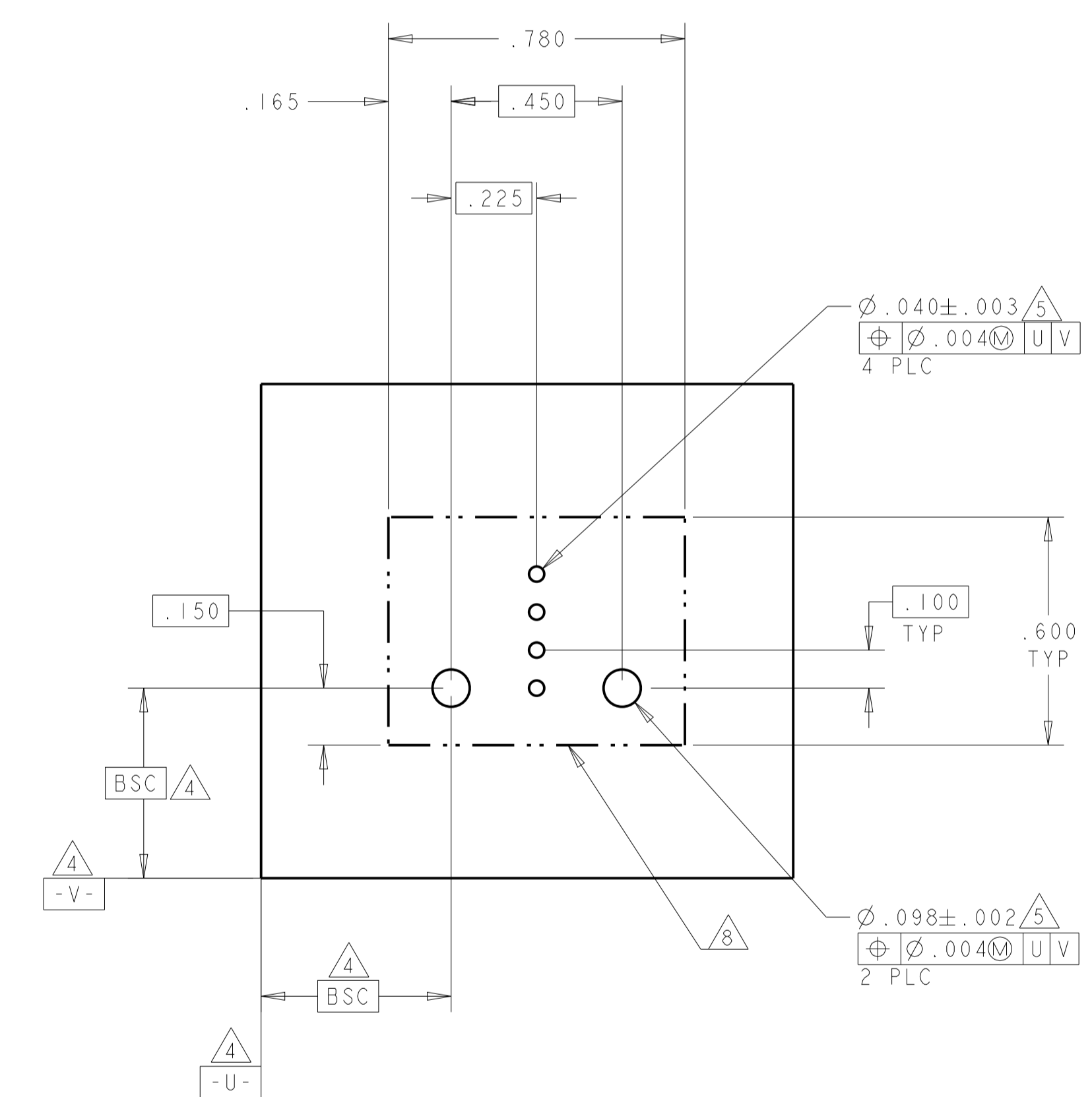
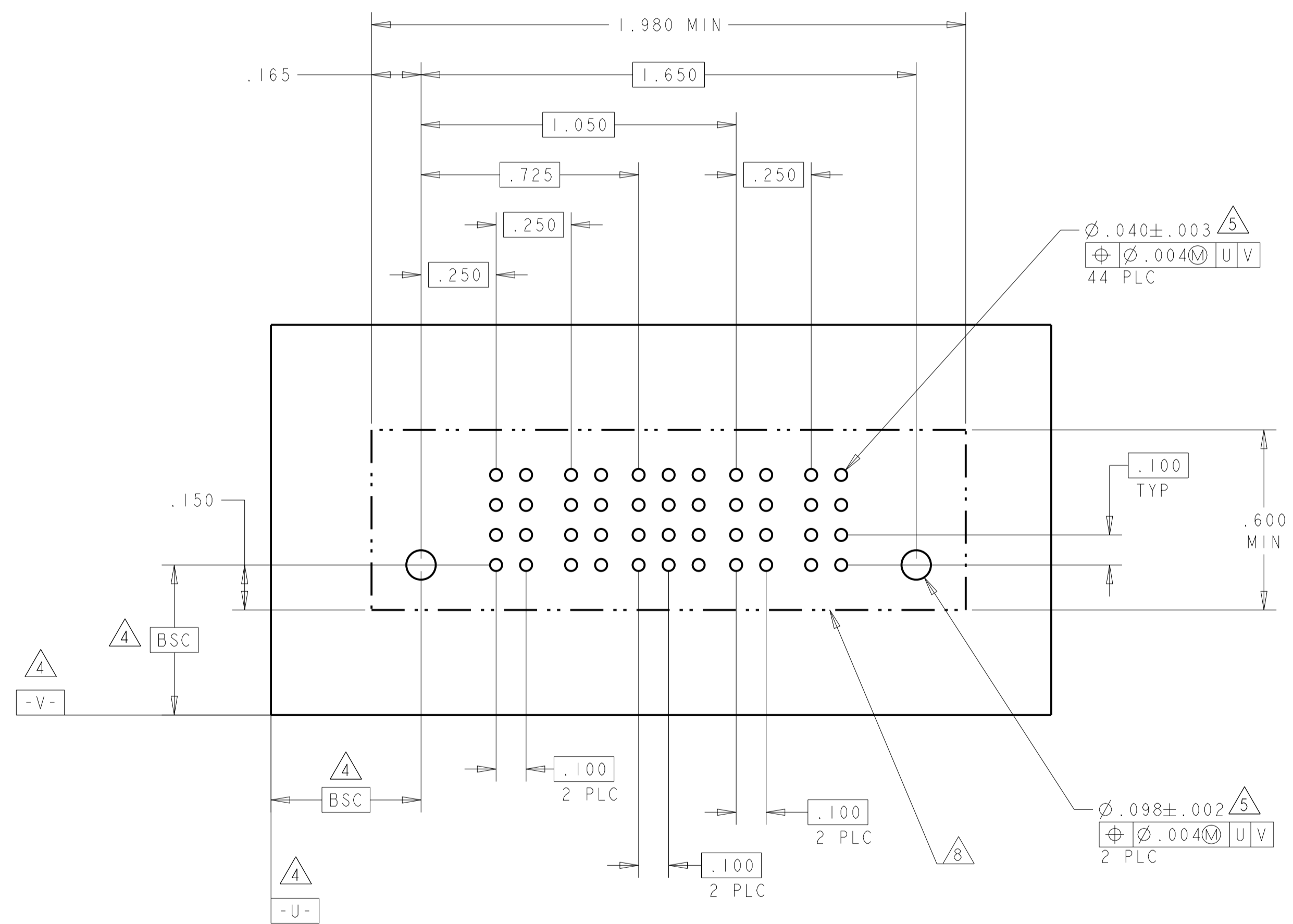


LOC	DIST	REV	DATE	BY	APPD
ES	00				
		DESCRIPTION		DATE	DWN
		SEE SHEET 1		-	-

PART NUMBER	ROWS	POWER		SIGNAL			POWER	
		P1	P2	1	2	3	P3	P4
2-6600330-1	D	SZ	SZ	SV	SV	SV	SZ	SZ
	C			SV	SV	SV		
	B			SV	SV	SV		
	A			SV	SV	SV		
2P + 12S + 2P		HD					HD	

PART NUMBER	ROWS	SIGNAL	
		1	
2-6600330-3	D	SV	
	C	SV	
	B	SV	
	A	SV	
4S		HD	HD

(J3)

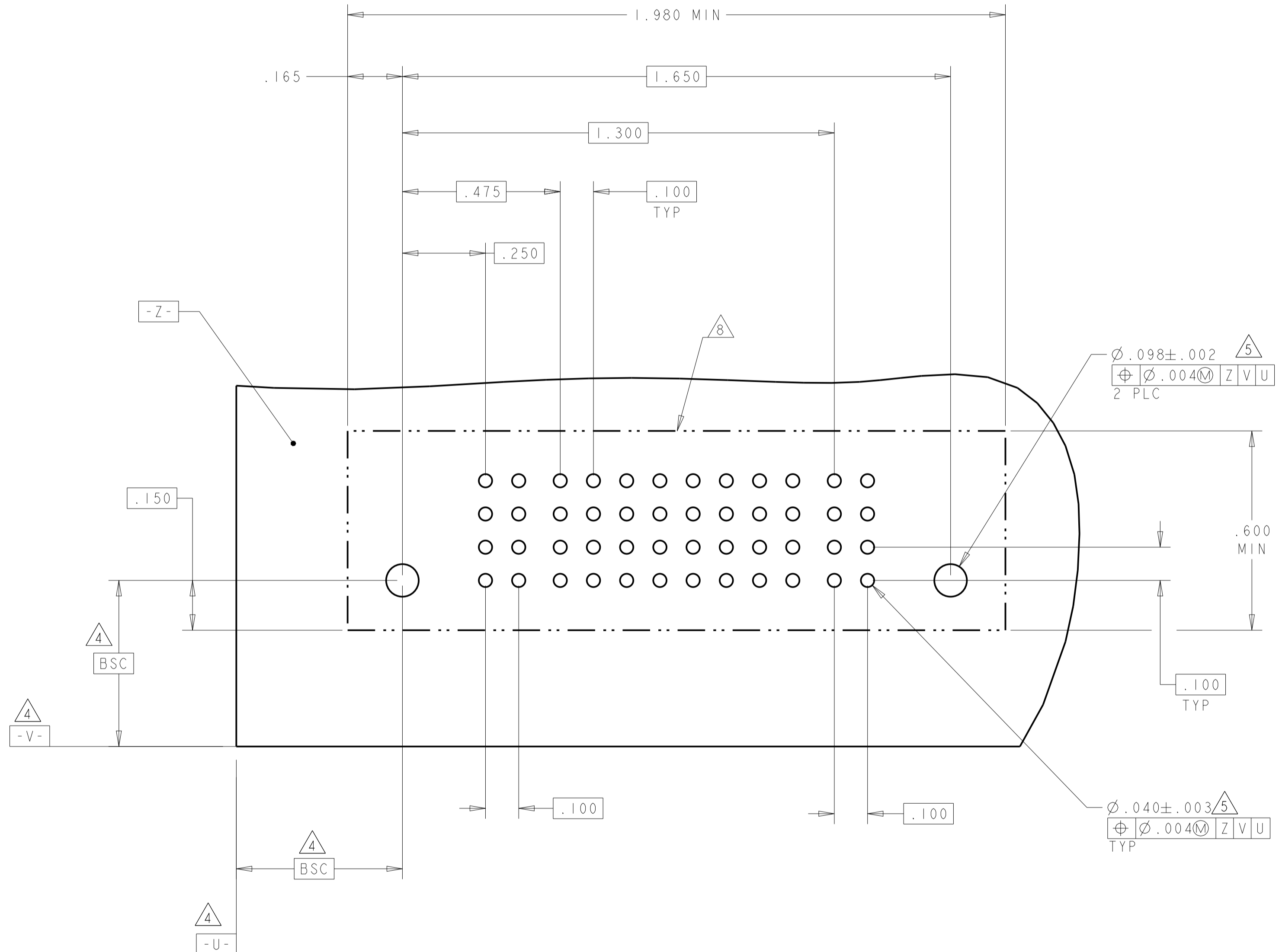
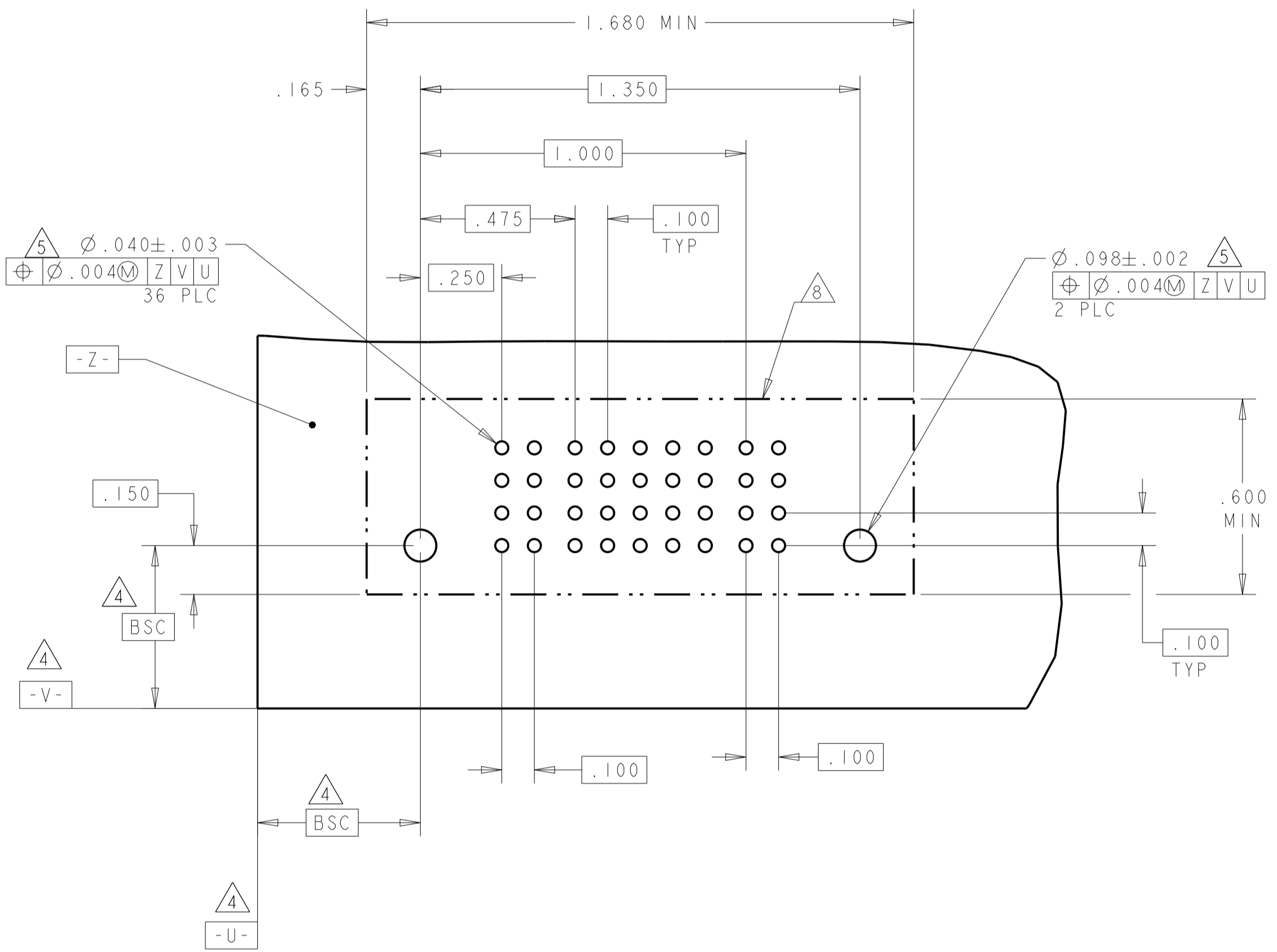


THIS DRAWING IS A CONTROLLED DOCUMENT.		DWN: J. McCLINTON 22MAR2005	
DIMENSIONS: INCH		CHK: D. TROUT 22MAR2005	
TOLERANCES UNLESS OTHERWISE SPECIFIED:		APVD: P. WHYNE 22MAR2005	NAME: VERTICAL HEADER ASSEMBLY W/ GUIDES AND SOLDER TAILS MULTI-BEAM XL
0 PLC ±.010		PRODUCT SPEC: 108-1973	SIZE: A100779C=6600330
2 PLC ±.005		APPLICATION SPEC: 114-13038	RESTRICTED TO: CUSTOMER DRAWING
3 PLC ±.0020		WEIGHT: -	SCALE: 4:1
4 PLC ±.0020		FINISH: -	SHEET 9 OF 10
ANGLES: -			REV: J8

LOC	DIST	REV	DATE	BY	APPV
ES	00				
		DESCRIPTION		DATE	BY
		SEE SHEET 1			

PART NUMBER	ROWS	POWER	SIGNAL					POWER	
			PI	1	2	3	4		5
2-6600330-4	D	SZ	SZ	SV	SV	SV	SV	SV	SZ
	C			SV	SV	SV	SV	SV	
	B			SV	SV	SV	SV	SV	
	A			SV	SV	SV	SV	SV	
IP+20S+IP		HD						HD	

PART NUMBER	ROWS	POWER	SIGNAL								POWER		
			PI	1	2	3	4	5	6	7		8	P2
2-6600330-5	D	SZ	SZ	SV	SV	SV	SV	SV	SV	SV	SV	SV	SZ
	C			SV	SV	SV	SV	SV	SV	SV	SV		
	B			SV	SV	SV	SV	SV	SV	SV	SV		
	A			SV	SV	SV	SV	SV	SV	SV	SV		
IP+32S+IP		HD										HD	



THIS DRAWING IS A CONTROLLED DOCUMENT.

DIMENSIONS:	TOLERANCES UNLESS OTHERWISE SPECIFIED:	OWN	J. McCLINTON	22MAR2005
INCH	0 PLC ± .005	CHK	D. TROUT	22MAR2005
	1 PLC ± .005	APPV	P. WHYNE	22MAR2005
	2 PLC ± .005	PRODUCT SPEC		
	3 PLC ± .005	APPLICATION SPEC		
	4 PLC ± .0020	SIZE	114-13038	
	ANGLES ± .0020	WEIGHT		
MATERIAL	FINISH	CUSTOMER DRAWING		

TE Connectivity  
 VERTICAL HEADER ASSEMBLY  
 W/ GUIDES AND SOLDER TAILS  
 MULTI-BEAM XL

SIZE: A1  
 CAGE CODE: 6600330  
 SCALE: 4:1  
 SHEET: 10 OF 10  
 REV: J8