

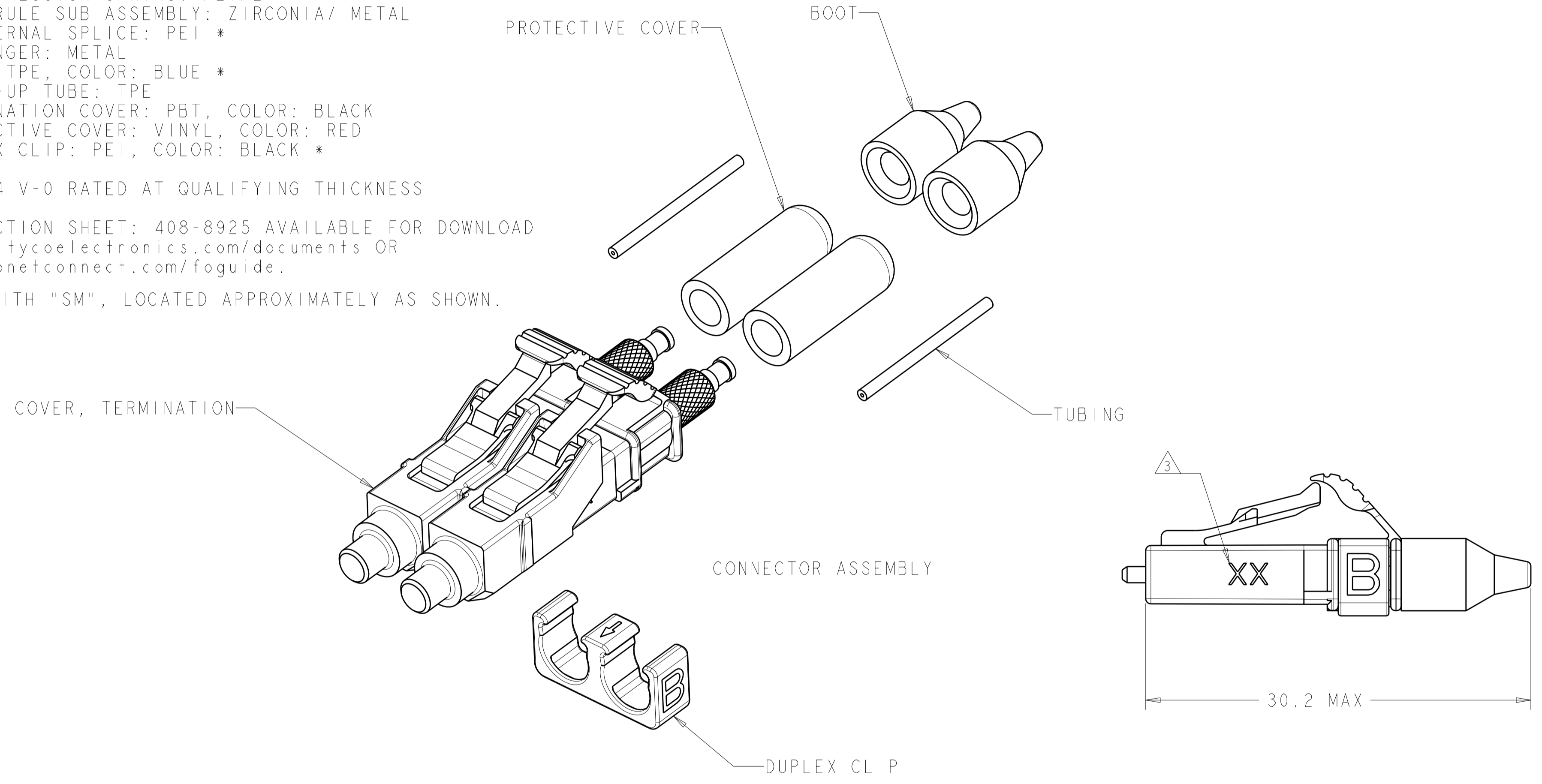
THIS DRAWING IS UNPUBLISHED. RELEASED FOR PUBLICATION 20  
 © COPYRIGHT 20 BY TYCO ELECTRONICS CORPORATION. ALL RIGHTS RESERVED.

LOC	DIST	REVISIONS			
P	LTR	DESCRIPTION	DATE	DWN	APVD
	C	REV PER ECR-08-031840	18DEC2008	DDE	CB
	C1	REVISE NOTE 2	12MAR2009	BB	SB
	C2	REVISE PLUNGER VIEW	08APR2009	KG	CB

- 1 MATERIAL:  
 CONNECTOR ASSEMBLY:  
 CONNECTOR HOUSING: PPSU, COLOR: BLUE \*  
 REAR BODY: METAL  
 COMPRESSION SPRING: METAL  
 FERRULE SUB ASSEMBLY: ZIRCONIA/ METAL  
 INTERNAL SPLICE: PEI \*  
 PLUNGER: METAL  
 BOOT: TPE, COLOR: BLUE \*  
 BUILD-UP TUBE: TPE  
 TERMINATION COVER: PBT, COLOR: BLACK  
 PROTECTIVE COVER: VINYL, COLOR: RED  
 DUPLEX CLIP: PEI, COLOR: BLACK \*
- \* UL94 V-0 RATED AT QUALIFYING THICKNESS

2. INSTRUCTION SHEET: 408-8925 AVAILABLE FOR DOWNLOAD  
 AT [www.tycoelectronics.com/documents](http://www.tycoelectronics.com/documents) OR  
[www.ampnetconnect.com/foguide](http://www.ampnetconnect.com/foguide).

3 MARK WITH "SM", LOCATED APPROXIMATELY AS SHOWN.



6754484-1  
 PART NO.

THIS DRAWING IS A CONTROLLED DOCUMENT FOR TYCO ELECTRONICS CORPORATION IT IS SUBJECT TO CHANGE AND THE CONTROLLING ENGINEERING ORGANIZATION SHOULD BE CONTACTED FOR THE LATEST REVISION.		DWN D. ERDMAN 24 JUN 2004	Tyco Electronics Harrisburg, PA 17105-3608	
DIMENSIONS: mm		CHK M. GURRERI 24 JUN 2004	NAME KIT, CONNECTOR, LightCrimp Plus LC DUPLEX, SM 250-900um BUFFER	
TOLERANCES UNLESS OTHERWISE SPECIFIED:		APVD B. EDWARDS 24 JUN 2004	RESTRICTED TO	
0 PLC ±-		PRODUCT SPEC	SIZE	CAGE CODE
1 PLC ±0.5		APPLICATION SPEC	A2	00779
2 PLC ±0.13		WEIGHT	DRAWING NO	6754484
3 PLC ±0.013			SCALE	4:1
4 PLC ±0.0001			SHEET	1 OF 1
ANGLES ±-		CUSTOMER DRAWING	REV	C2
FINISH				