

LOC	DIST	REVISIONS			
P	LTR	DESCRIPTION	DATE	DNW	APVD
A		RELEASED	22MAY2006	RG	SF

- PART NUMBER CHANGES AND OR DESIGN CHANGES AFFECTING THE INTERCHANGEABILITY REQUIRE PRIOR TYCO APPROVAL AND AUTHORIZATION BY REVISION TO THIS DRAWING.
- MATERIAL:
 INSULATOR: THERMOPLASTIC, GLASS REINFORCED, UL 94V-0
 FLAMMABILITY RATED, COLOR: BLACK
 CONTACT: BRASS ROD ALLOY
 CROWN BAND: BERYLLIUM COPPER
 RETENTION CLIP: BERYLLIUM COPPER
- FINISH:
 CONTACTS SIZE #16 : SILVER .000200 MIN. THK. OVER NICKEL .000040 MIN THK.
 CONTACTS SIZE #20 : GOLD .000010 MIN. THK. OVER NICKEL .000040 MIN THK.
 CROWN BAND: GOLD (IN CONTACT AREA).000030 MIN. THK. OVER NICKEL .000040 MIN THK.

△ ITEMS PROVIDED TO THIS SPECIFICATION TO BE PERMANENTLY IDENTIFIED PER THE FOLLOWING IDENTIFIER:

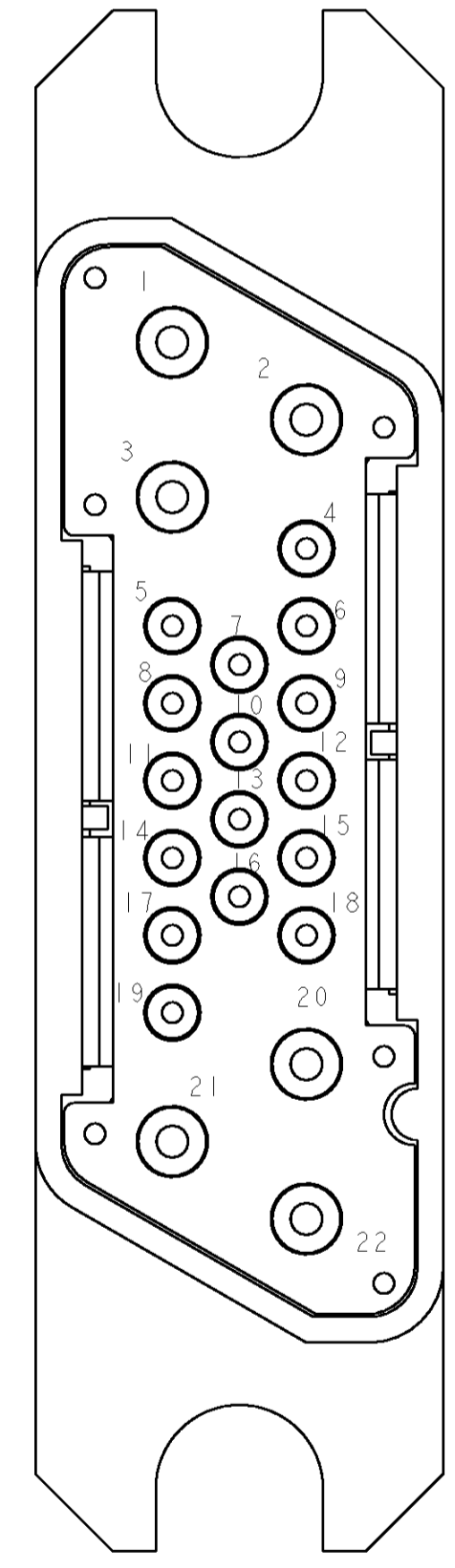
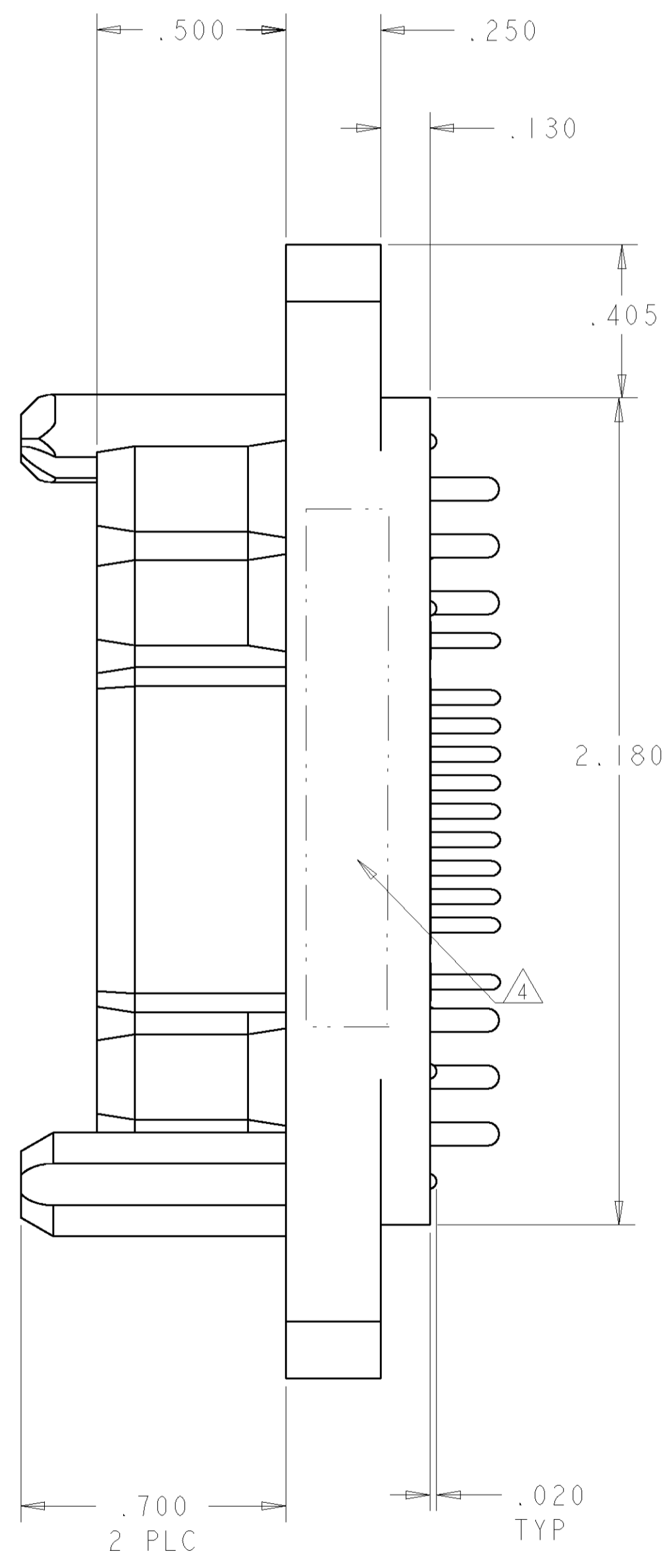
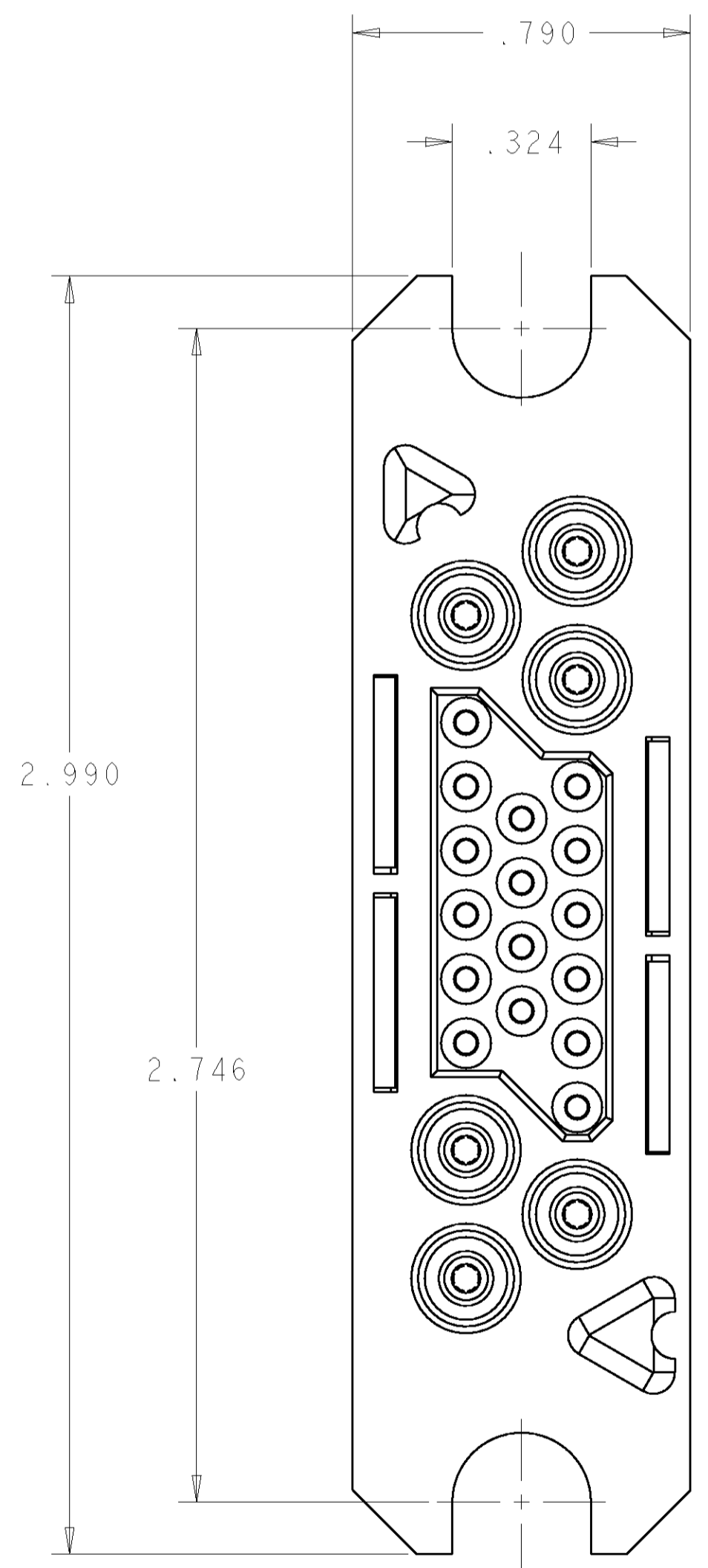
YEAR WEEK

TYCO PART NUMBER DATE CODE (e.g. 0216)

XXXXXXX-X XXXX

5. REFERENCE ELCON SERIES PN: 221-0091-10100

△ PCB TAIL CONTACTS ARE INSERABLE/ NON-REMOVABLE



SOCKET CONTACT (C)
 SIZE #16
 POSN. #1 THRU 3

SOCKET CONTACT (B)
 SIZE #20
 POSN. #4 THRU 18

SOCKET CONTACT (C)
 SIZE #16
 POSN. #20 THRU 22

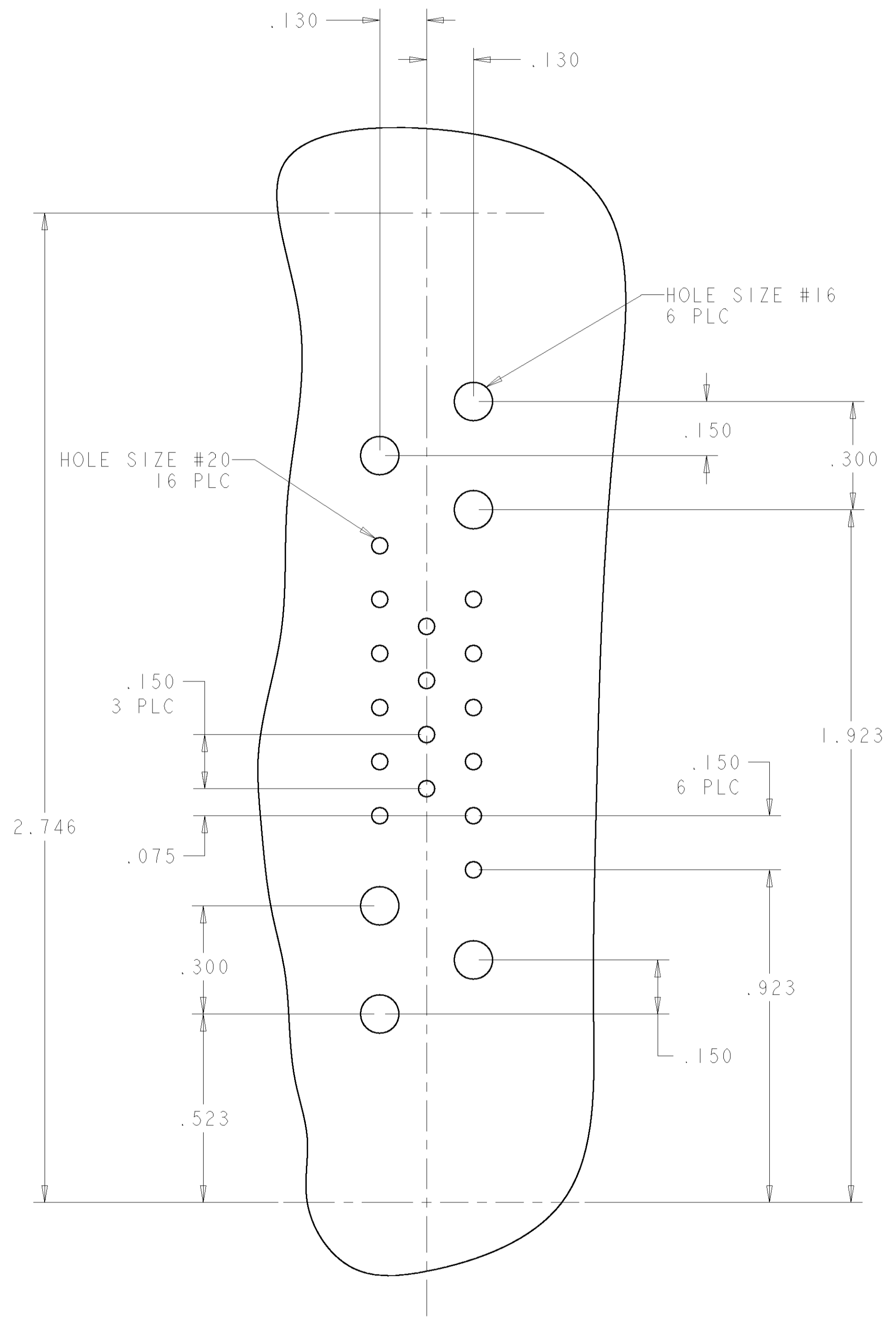
REAR VIEW

ELCON MINI DRAWER

AS SHOWN	6766650-1
DESCRIPTION	PART NUMBER

<small>THIS DRAWING IS UNPUBLISHED. RELEASED FOR PUBLICATION. THIS DRAWING IS THE PROPERTY OF TYCO ELECTRONICS CORPORATION. IT IS TO BE USED ONLY FOR THE PURPOSES AND CONDITIONS SPECIFIED IN THE ORDER. IT IS NOT TO BE REPRODUCED OR TRANSMITTED IN ANY FORM OR BY ANY MEANS, ELECTRONIC OR MECHANICAL, WITHOUT PERMISSION IN WRITING FROM TYCO ELECTRONICS CORPORATION.</small>		DWN: R. GRZYBOWSKI 09JUN06 CHK: P. DAMATO 09JUN06 APVD: S. FLICKINGER 09JUN06	tyco Tyco Electronics Electronics Harrisburg, PA 17105-3608
DIMENSIONS:	TOLERANCES UNLESS OTHERWISE SPECIFIED:	NAME	PRODUCT SPEC
INCHES:	0 PLC ± 1 PLC ±.02 2 PLC ±.02 3 PLC ±.010 4 PLC ± ANGLES ±	S. FLICKINGER	APPLICATION SPEC
MATERIAL:	FINISH:	WEIGHT:	RESTRICTED TO:
-	-	-	A 00779 C=6766650
CUSTOMER DRAWING		SCALE 3:1	SHEET 1 OF 2 REV A

LOC	DIST	REVISIONS			
P	LTR	DESCRIPTION	DATE	DRN	APVD
GP	00	SEE SHEET 1	-	-	-



PRINTED CIRCUIT BOARD LAYOUT

HOLE SIZE #16
 FINISHED HOLE: $\varnothing .070 \pm .003$
 DRILLED HOLE: $\varnothing .0765 \pm .0005$
 COPPER PLATE: .0010 - .0020
 TIN PLATE: .0002 MIN THK.

HOLE SIZE #20
 FINISHED HOLE: $\varnothing .047 \pm .003$
 DRILLED HOLE: $\varnothing .0453 \pm .0005$
 COPPER PLATE: .0010 - .0020
 TIN PLATE: .0002 MIN THK.

6	6648383-1	CONTACT, SOCKET, SIZE #16, PCB TAIL	C
16	1648382-1	CONTACT, SOCKET, SIZE #20, PCB TAIL	B
1	1648116-2	HOUSING, SOCKET, PCB MOUNT	A
-1	PART NUMBER	DESCRIPTION	ITEM

<small>THE INFORMATION ON THIS DRAWING IS UNCLASSIFIED EXCEPT WHERE SHOWN OTHERWISE. IT IS THE PROPERTY OF TYCO ELECTRONICS CORPORATION AND IS TO BE KEPT UNCLASSIFIED UNLESS OTHERWISE SPECIFIED.</small>		DRN R. GRZYBOWSKI 09JUN06	Tyco Electronics Harrisburg, PA 17105-3608
DIMENSIONS: INCHES		CHK P. DAMATO 09JUN06	NAME S. FLICKINGER 09JUN06
TOLERANCES UNLESS OTHERWISE SPECIFIED: 0 PLC ± 1 PLC ±.02 2 PLC ±.01 3 PLC ±.010 4 PLC ± ANGLES ±		PRODUCT SPEC APPLICATION SPEC WEIGHT CUSTOMER DRAWING	PRODUCT SPEC APPLICATION SPEC WEIGHT CUSTOMER DRAWING
MATERIAL FINISH		SIZE A100779C-6766650	RESTRICTED TO SCALE 3:1 SHEET 2 OF 2 REV A