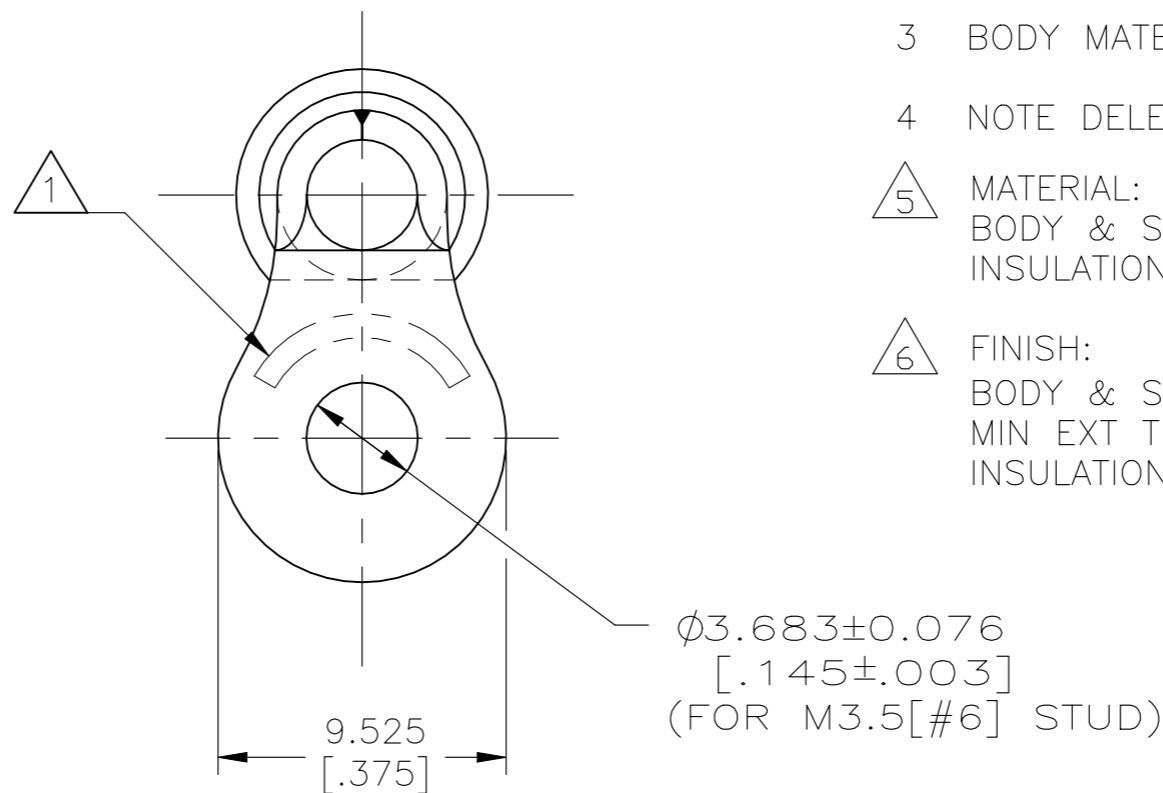
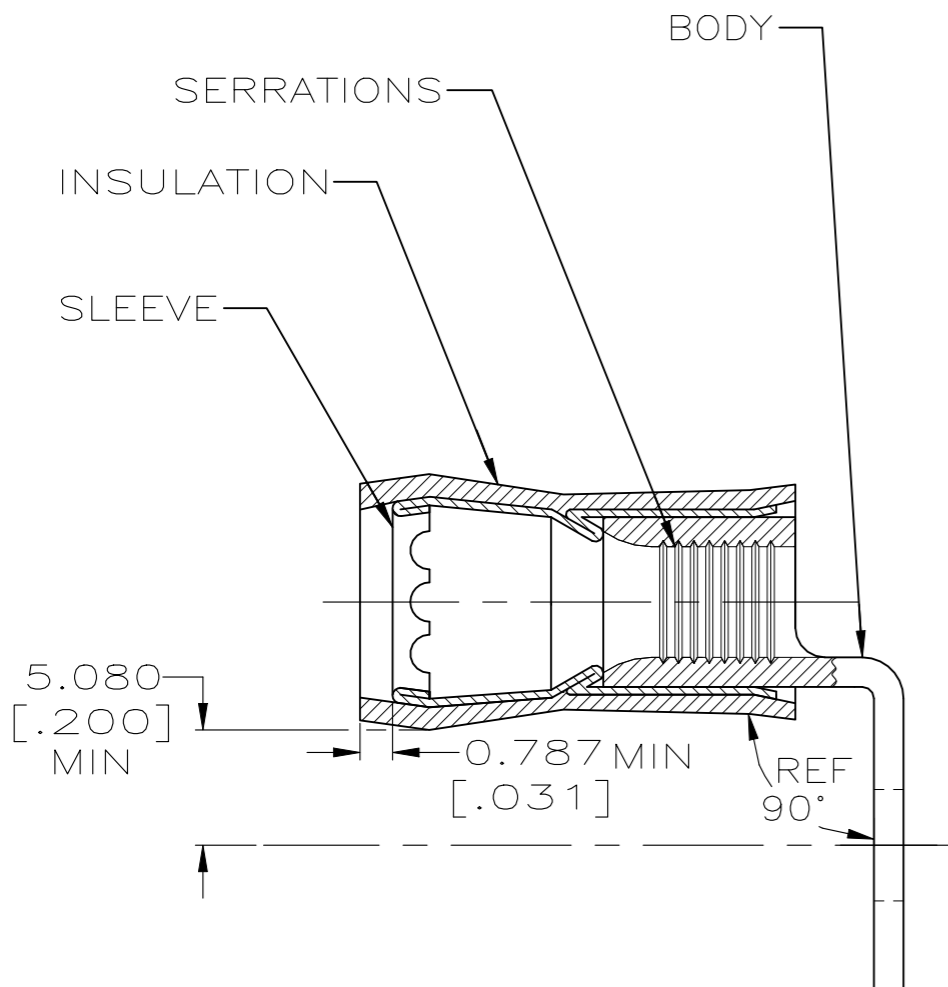


REVISIONS				
P	LTR	DESCRIPTION	DATE	APVD
	A	REVISED PER ECR-24-213758	16JUL2024	SA DSC

AMP WIRE RANGE	Listed FILE E13288	LR7189 Certified
12-10 AWG SOLID OR STRANDED	12-10 AWG STRANDED	12-10 AWG SOLID OR STRANDED



- 1 STAMP AMP 12-10* APPROX AS SHOWN
- 2 WIRE INSULATION DIAMETER:
Ø3.810[.150] TO Ø6.350[.250]
- 3 BODY MATERIAL THK: 1.016±0.051[.040±.002]
- 4 NOTE DELETED
- 5 MATERIAL:
BODY & SLEEVE - COPPER PER ASTM B152
INSULATION - NYLON
- 6 FINISH:
BODY & SLEEVE - TIN PLATE 0.00254[.000100]
MIN EXT THK PER ASTM B545
INSULATION COLOR - YELLOW

500	LOOSE PIECE	696020-1
QTY	PACKAGE TYPE	PART NO

AMP INCORPORATED CUSTOMER SERVICE SYSTEM	
FOR ADDITIONAL PRODUCT INFORMATION OR COPIES OF DRAWINGS AND TECHNICAL DOCUMENTS	PRODUCT INFORMATION CENTER 1-800-522-6752
FOR APPLICATION TOOLING INFORMATION	TOOLING ASSISTANCE CENTER 1-800-722-1111
FOR ORDER ENTRY	1-800-526-5142

MAX RECOMMENDED OPERATING TEMPERATURE: 105° C[221° F]
VOLTAGE RATING: 300 VOLT MAX -
CIRCULAR MIL AREA: 2.62mm ² -6.64mm ² [5,180-13,100]

THIS DRAWING IS A CONTROLLED DOCUMENT.	
DIMENSIONS: mm [INCHES]	TOLERANCES UNLESS OTHERWISE SPECIFIED:
	0 PLC ± - 1 PLC ± - 2 PLC ± 0.127[.005] 3 PLC ± - 4 PLC ± - ANGLES ± - FINISH
MATERIAL	5
	6

DWN L OLMEDA 18NOV97	TE Connectivity		
CHK M ELLIS 18NOV97			
APVD T MICHELUTTI 18NOV97	NAME		
PRODUCT SPEC UL 486A-B	TERMINAL, RING TONGUE, PIDG™ WIRE SIZE: 12-10 AWG, 90° BENT		
APPLICATION SPEC 114-2157	SIZE A3	CAGE CODE 00779	DRAWING NO C-696020
WEIGHT -	RESTRICTED TO -		
CUSTOMER DRAWING	SCALE 6:1	SHEET 1 OF 1	REV A