

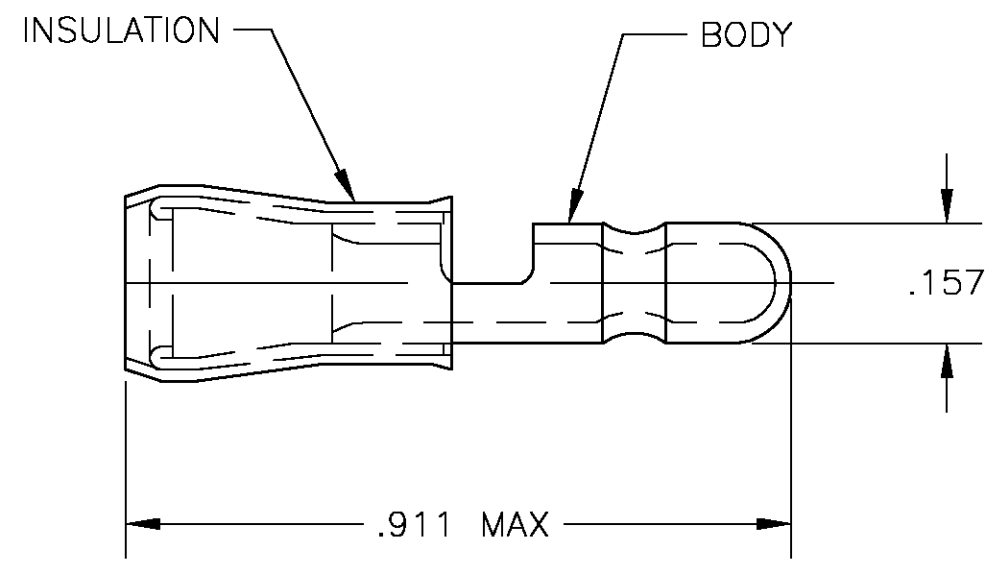
THIS DRAWING IS UNPUBLISHED. RELEASED FOR PUBLICATION  
 © COPYRIGHT BY TYCO ELECTRONICS CORPORATION. ALL RIGHTS RESERVED.

LOC	DIST	REVISIONS					
		P	LTR	DESCRIPTION	DATE	DWN	APVD
G	14		01	REV PER ECR 05-001779	26APR05	JR	TM

**AMP**  
WIRE RANGE

---

16-14 AWG  
STRANDED



- 1 STAMP AMP 16-14
- 2 WIRE INSULATION .105-.160 DIA
- 3 MATERIAL: BODY: .016 BRASS, TIN PLATE  
SLEEVE: COPPER, TIN PLATE  
INSULATION: NYLON  
COLOR: BLUE
- 4 PRELIMINARY - NOT FOR PRODUCTION

50	LOOSE PIECE, BOX	8-696412-2
500	LOOSE PIECE	696412-1
QTY	PACKAGE TYPE	PART NO

<b>AMP INCORPORATED CUSTOMER SERVICE SYSTEMS</b>		MAX RECOMMENDED OPERATING TEMPERATURE: 105° C MAX	THIS DRAWING IS A CONTROLLED DOCUMENT.		DWN JR RUTH 16MAY03	<b>tyco</b> <b>Electronics</b> Tyco Electronics Corporation Harrisburg, Pa 17105-3608
FOR ADDITIONAL PRODUCT INFORMATION OR COPIES OF DRAWINGS AND TECHNICAL DOCUMENTS	PRODUCT INFORMATION CENTER 1-800-522-6752	VOLTAGE RATING: 300 V MAX	DIMENSIONS: INCHES	TOLERANCES UNLESS OTHERWISE SPECIFIED:	CHK T MICHIELUTTI 16MAY03	
FOR APPLICATION TOOLING INFORMATION	TOOLING ASSISTANCE CENTER 1-800-722-1111	CIRCULAR MIL AREA: 1.5-2.5mm <sup>2</sup> [2,960-4,934] STRANDED		0 PLC ± - 1 PLC ± - 2 PLC ± - 3 PLC ± .008 4 PLC ± - ANGLES ± 1'	APVD T MICHIELUTTI 16MAY03	NAME TERMINAL, SHUR PLUG, PIDG, WIRE SIZE: 16-14 AWG
FOR ORDER ENTRY	1-800-526-5142	THIS DRAWING IS A CONTROLLED DOCUMENT FOR AMP INCORPORATED. IT IS SUBJECT TO CHANGE AND THE CONTROLLING ENGINEERING ORGANIZATION SHOULD BE CONTACTED FOR THE LATEST REVISION.	MATERIAL - 3	FINISH - 3	PRODUCT SPEC -	SIZE A3
			CUSTOMER DRAWING		APPLICATION SPEC -	CAGE CODE 00779
					WEIGHT -	DRAWING NO C-696412
					RESTRICTED TO -	
					SCALE 1:1	
					SHEET 1 OF 1	
					REV 01	