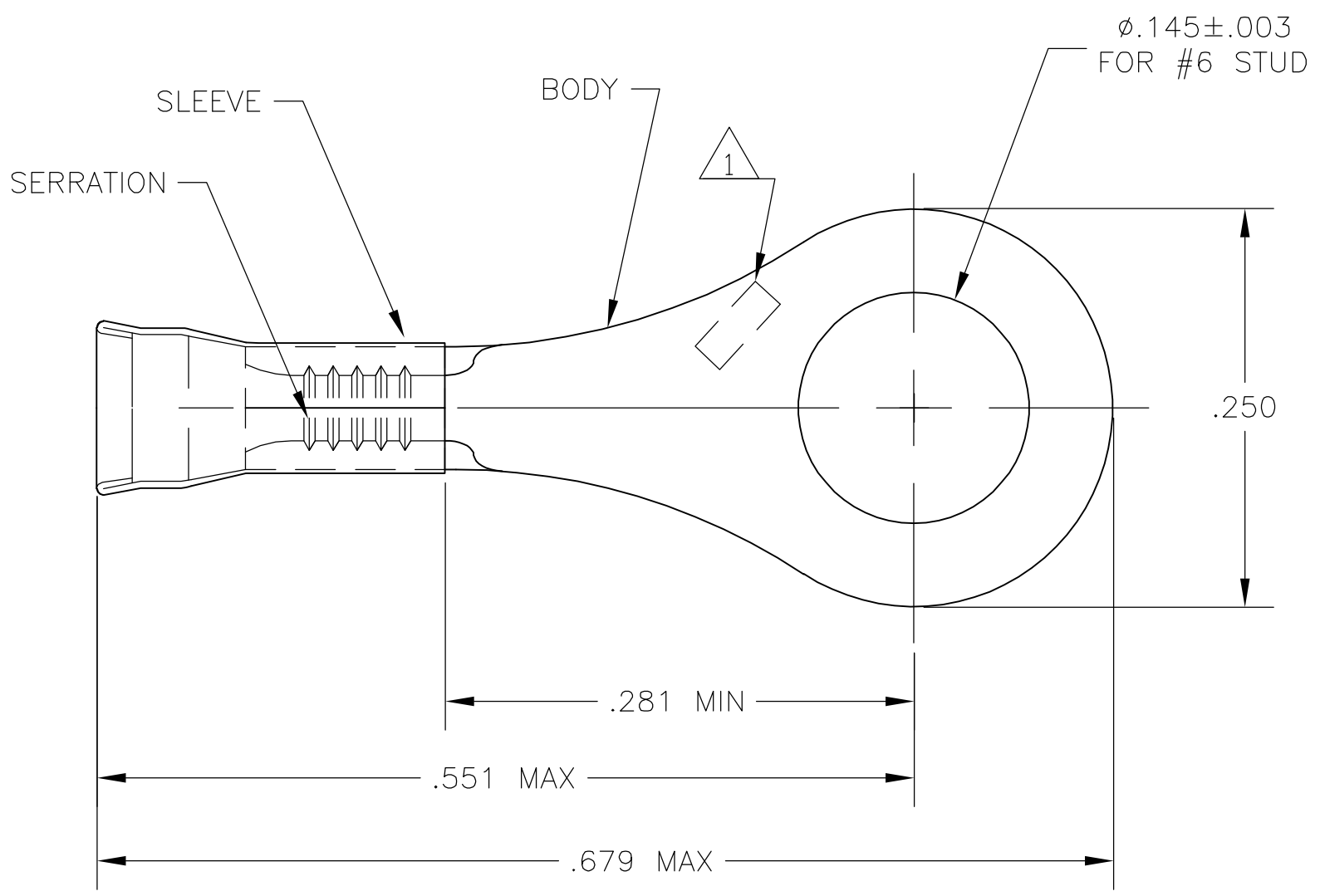


THIS DRAWING IS UNPUBLISHED. RELEASED FOR PUBLICATION
 © COPYRIGHT - BY TYCO ELECTRONICS CORPORATION. ALL RIGHTS RESERVED.

LOC	DIST	REVISIONS					
		P	LTR	DESCRIPTION	DATE	DWN	APVD
G	14		1	PROPOSED	-	-	-



- 1 STAMP AMP LOCATE APPROX AS SHOWN
- 2 WIRE INSUL DIA, .050-.082
- 3 TONGUE MATL THK, .018±.002
- 4 MATERIAL: BODY & SLEEVE - COPPER PER ASTM B152
- 5 FINISH BODY & SLEEVE - NICKEL PLATE PER QQ-N-290
- 6 PRELIMINARY - NOT FOR PRODUCTION

6 696986-1
 PART NO

THIS DRAWING IS A CONTROLLED DOCUMENT.		DWN jr_ruth 18JUL06	Tyco Electronics Corporation Harrisburg, PA 17105-3608		
DIMENSIONS: INCHES		CHK M SPICER 18JUL06			
		APVD M SPICER 18JUL06	NAME TERMINAL, RING TONGUE, STRATOTHERM, DIAMOND GRIP, 26-22 AWG		
TOLERANCES UNLESS OTHERWISE SPECIFIED:		PRODUCT SPEC	APPLICATION SPEC		
0 PLC ± - 1 PLC ± - 2 PLC ± - 3 PLC ± .008 4 PLC ± - ANGLES ± 5°		WEIGHT -	SIZE A3	CAGE CODE 00779	DRAWING NO C-696986
MATERIAL - 4		FINISH - 5	RESTRICTED TO -		
CUSTOMER DRAWING			SCALE 10:1	SHEET 1 OF 1	REV 1