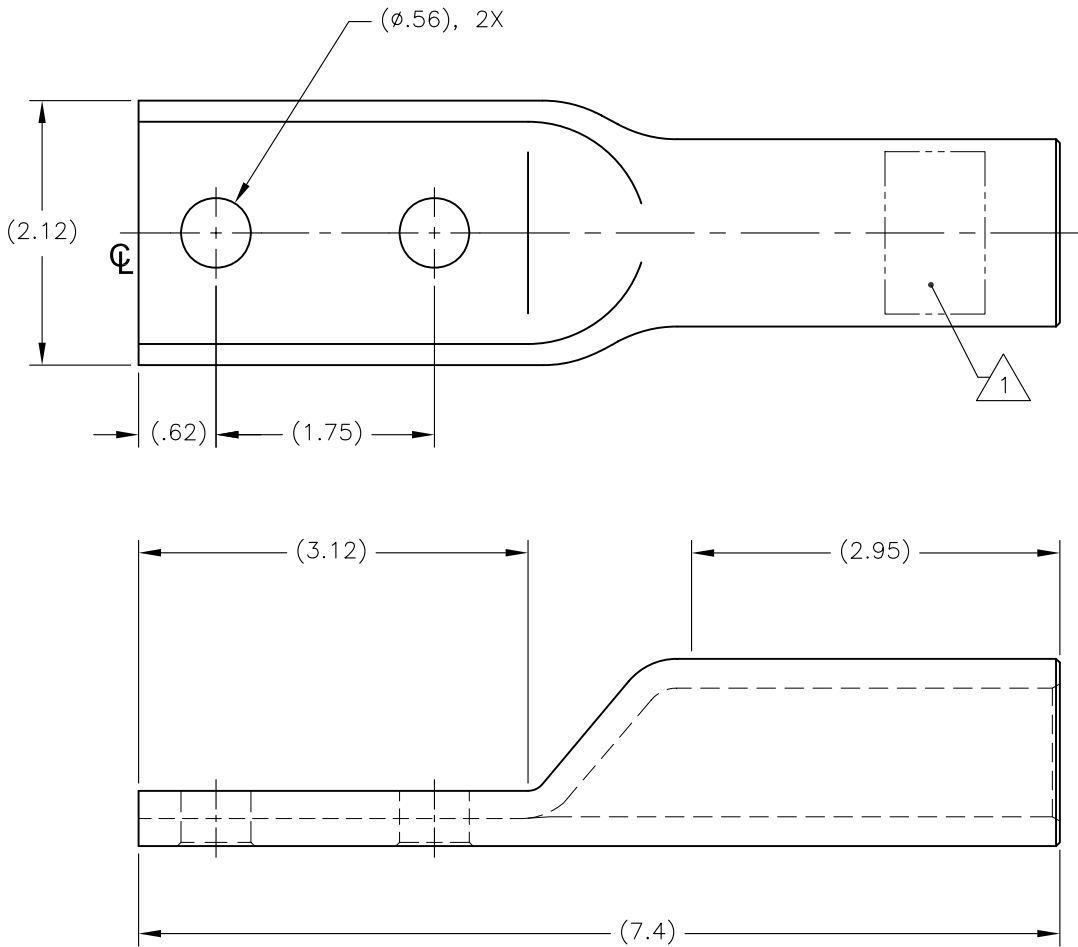


THIS DRAWING IS UNPUBLISHED. RELEASED FOR PUBLICATION
 © COPYRIGHT - - ALL RIGHTS RESERVED.

LOC	DIST	REVISIONS					
GA	1	P	LTR	DESCRIPTION	DATE	DWN	APVD
		A		LC20-0074-11 / ECO-11-011041	20MAY2011	DM	BJ



- 1 MARKING:
STE
 CKLL0752NTN
 750 KCMIL
 CSA 30 CU
 [DATE CODE]
2. ACCOMMODATES:
 750 KCMIL STD STR-CPT (.998-.908 DIA)
 CU CONDUCTORS.
3. HARDNESS:
 SOFT TEMPERED.

721-B6034	L877	CKLL0752NTN	7-1199018-1
O.H. S/C	O.H. SPEC	CATALOG NO.	PART NO.

THIS DRAWING IS A CONTROLLED DOCUMENT.		DWN D. MURUGIAH 28NOV2005	STE TE Connectivity					
DIMENSIONS: INCHES		CHK A. BULZA 02DEC2005						
TOLERANCES UNLESS OTHERWISE SPECIFIED:		APVD B. JOHNSON 05DEC2005	NAME COPRESSION LUG, COPPER, TIN PLATED, TWO HOLE NEMA PAD, 750 KCMIL COPPER CONDUCTORS					
0 PLC ± 1 PLC ± 2 PLC ± 3 PLC ± 4 PLC ± ANGLES ±		PRODUCT SPEC —	SIZE A3	CAGE CODE 0779	DRAWING NO C-7-1199018-1	RESTRICTED TO —		
MATERIAL ETP COPPER		FINISH ELECTRO-TIN PLATED	WEIGHT 2.1 lbs	CUSTOMER DRAWING		SCALE NTS	SHEET 1 OF 1	REV A