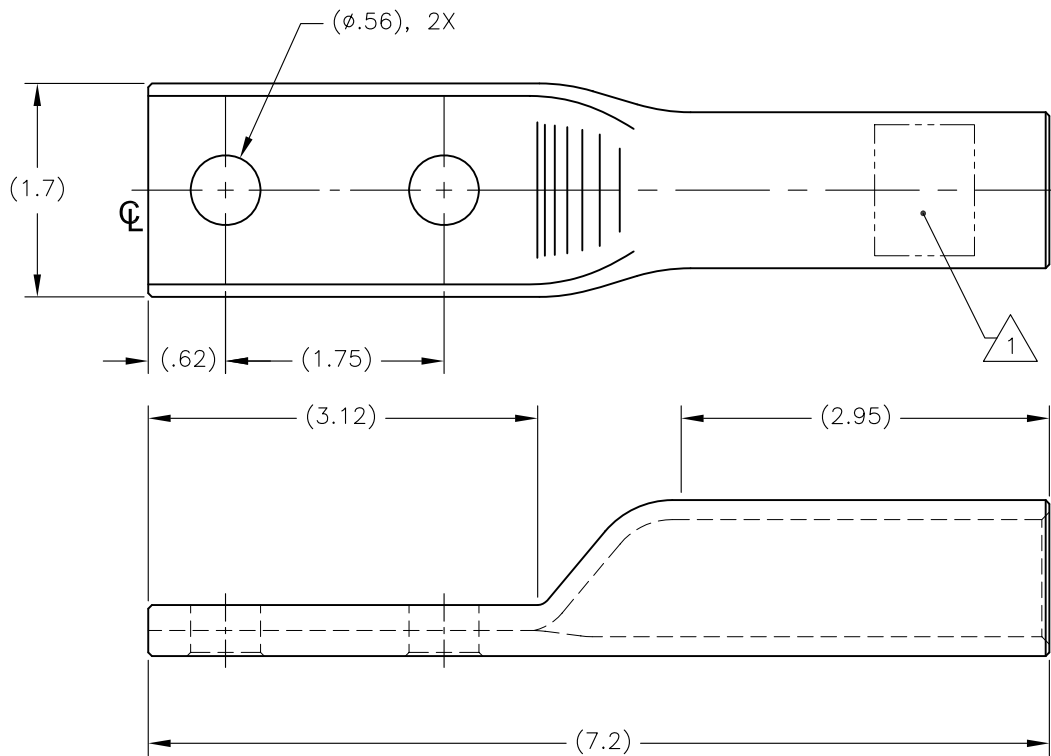


THIS DRAWING IS UNPUBLISHED. RELEASED FOR PUBLICATION  
 © COPYRIGHT - - ALL RIGHTS RESERVED.

LOC	DIST	REVISIONS			
P	LTR	DESCRIPTION	DATE	DWN	APVD
	GA	1			
B		LC20-0074-11 / ECO-11-011041	20MAY2011	DM	BJ



- 1 MARKING:  
**STE**  
 CKLL0602NTN  
 600 KCMIL  
 CSA 28 CU  
 [DATE CODE]
2. ACCOMMODATES:  
 600 KCMIL STD STR-CPT (.893-.813 DIA)  
 CU CONDUCTORS.
3. HARDNESS:  
 SOFT TEMPERED.

721-A7686	L877	CKLL0602NTN	7-1199154-5
O.H. S/C	O.H. SPEC	CATALOG NO.	PART NO.

THIS DRAWING IS A CONTROLLED DOCUMENT.		DWN D. MURUGIAH 26OCT2005	<b>STE</b> TE Connectivity																			
DIMENSIONS: INCHES		CHK A. BULZA 27OCT2005																				
TOLERANCES UNLESS OTHERWISE SPECIFIED:		APVD B. JOHNSON 16NOV2005	NAME COPRESSION LUG, COPPER, TIN PLATED, TWO HOLE NEMA PAD, 600 KCMIL COPPER CONDUCTORS																			
<table border="1"> <tr><td>0</td><td>PLC</td><td>±</td></tr> <tr><td>1</td><td>PLC</td><td>±</td></tr> <tr><td>2</td><td>PLC</td><td>±</td></tr> <tr><td>3</td><td>PLC</td><td>±</td></tr> <tr><td>4</td><td>PLC</td><td>±</td></tr> <tr><td colspan="2">ANGLES</td><td>±</td></tr> </table>		0	PLC	±	1	PLC	±	2	PLC	±	3	PLC	±	4	PLC	±	ANGLES		±	PRODUCT SPEC —	SIZE A3	CAGE CODE 0779
0	PLC	±																				
1	PLC	±																				
2	PLC	±																				
3	PLC	±																				
4	PLC	±																				
ANGLES		±																				
MATERIAL ETP COPPER		FINISH ELECTRO-TIN PLATED	WEIGHT 1.3 lbs	DRAWING NO 7-1199154-5																		
CUSTOMER DRAWING			RESTRICTED TO —	SCALE NTS																		
			SHEET 1 OF 1	REV B																		