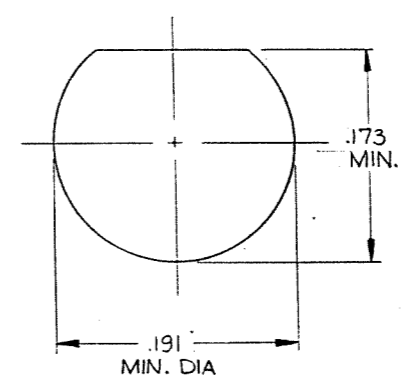
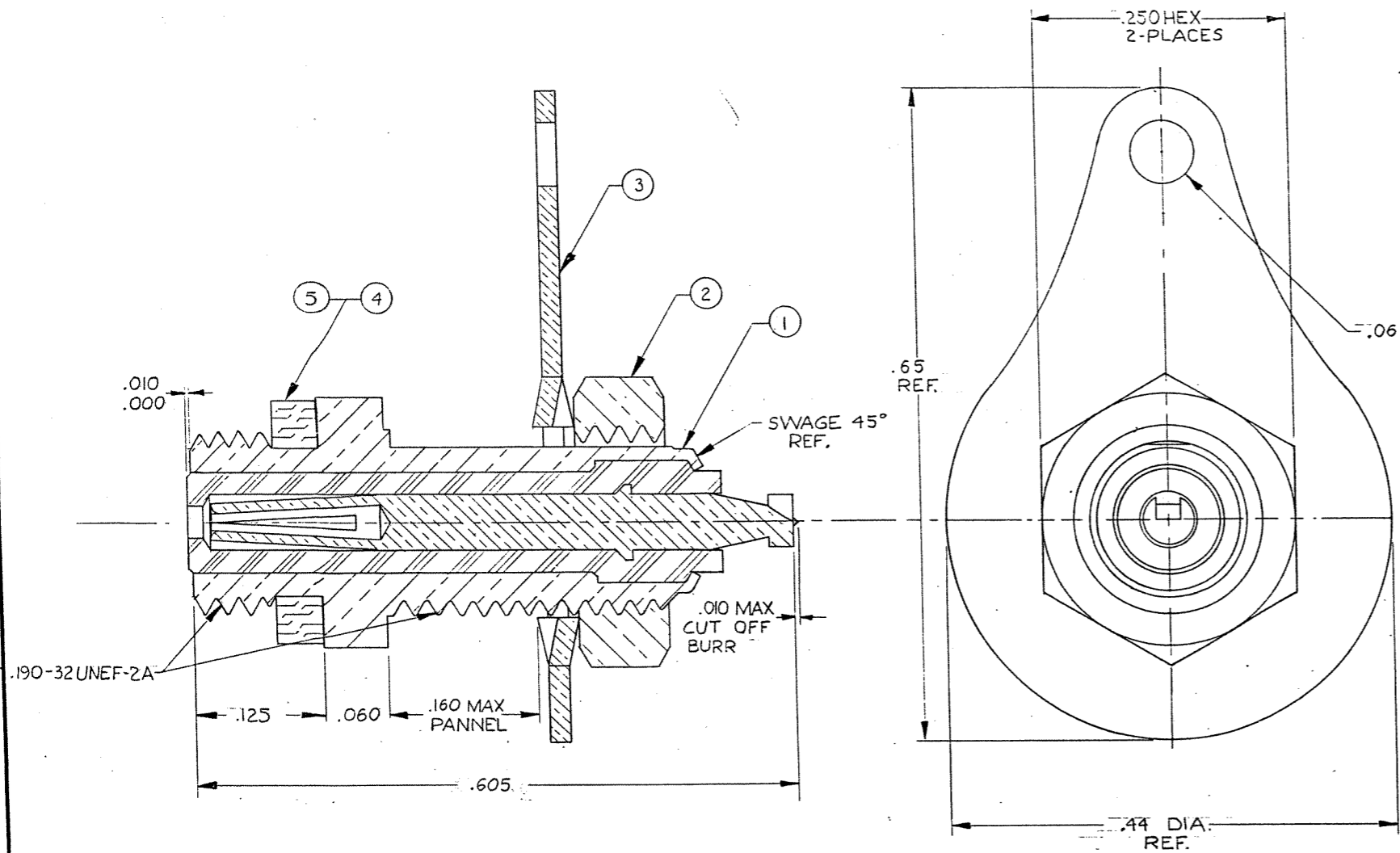


ZONE	LTR	ECN	DESCRIPTION	DATE	APPROVED
	F	25090	REV. & REDRAWN ORIGINAL ¹⁰ RELEASE 3-3-64 BY G.M & J.C.S	7/24/80	<i>RS</i>
	G	28937	ITEM 3 MAT'L WAS: PHOSPHOR BRONZE QQ-B-750	8/14/84	<i>RS</i>
	H	29639	0003-0011-0001 WAS: NEOPRENE	8/22/85	<i>MB</i>
	J	36834	ITEM 4, WAS 003-0011-0001	3-31-97	<i>RS</i>
	K	38714	UPDATE REV. LETTER	3-10-98	<i>RS</i>



NOTES:
 1. THIS CONNECTOR MATES WITH ALL 50 OHM MARC 131 PLUGS & ALL PLUGS IN SERIES: S-50 (MALCO CATALOG).
 2. GOLD PLATED PER MIL-G-45204, TYPE II, GRADE C, CLASS I.

DASH NO.	PART OR IDENTIFYING NO.	DESCRIPTION	MATERIAL	ITEM	
	1	003-0268-0001	GASKET	SILICONE RUBBER PER ZZ-R-765	5
	1	003-0268-0000	GASKET	SILICONE RUBBER, ZZ-R-765	4
	1	003-0306-0002	LOCK LUG	# 425 BRONZE ALLOY	3
	1	003-0009-0002	PANEL NUT	BRASS PER QQ-B-626	2
	1	003-1477-0001	HOUSING SUBASSEMBLY		1

PARTS LIST		CONTRACT NO.		MALCO A MICRODOT COMPANY, INC. 306 PASADENA AVE., SO. PASADENA, CALIF. 91030	
UNLESS OTHERWISE SPECIFIED DIMENSIONS ARE IN INCHES TOLERANCES ARE: FRACTIONS DECIMALS ANGLES ± .XX ± .XXX ± .010		APPROVALS		DATE	
MATERIAL		DRAWN <i>Costel Ponce</i>		4-24-80	
FINISH		CHECKED <i>SPH</i>		7-22-80	
NEXT ASSY		PR. ENG. <i>Agustine</i>		7-23-80	
USED ON		APPD.			
APPLICATION		DO NOT SCALE DRAWING		RECEPTACLE, BULKHEAD, GOLDEN CRIMP, 50 OHM	
		SIZE		CODE IDENT NO.	
		C		98278	
		DRAWING NO.		131-0138-000*	
		SCALE 10X1		SHEET 1 OF 1	

TYCO CUSTOMER DWG
7-1532149-2