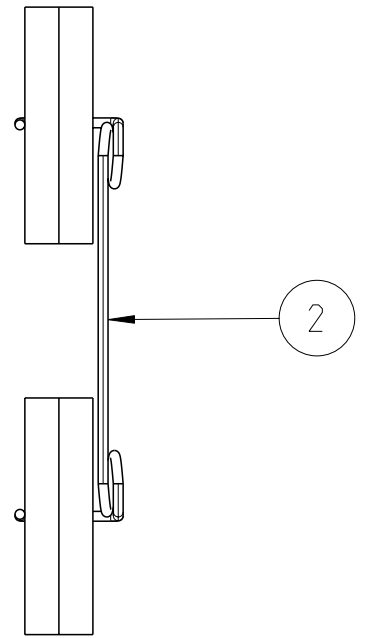
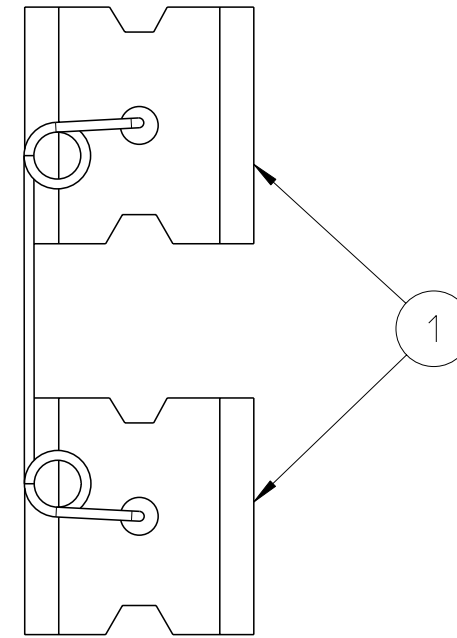
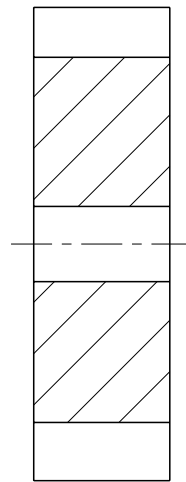
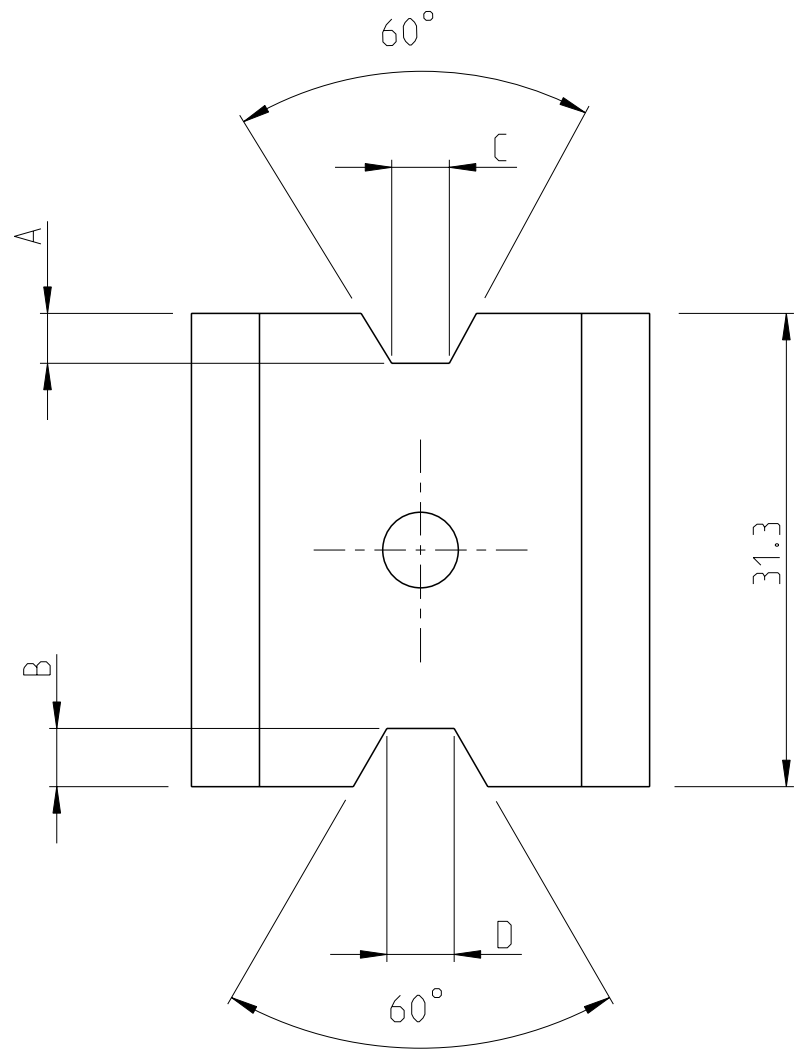


P	LTR	DESCRIPTION	DATE	DWN	APVD
	A	NEW DRAWING	10MAR2020	NB	BM

HALF DIE



5	N/A	N/A	N/A	10.75	7E 240 CU	708824-1
5	N/A	N/A	N/A	9.5	7E 185 CU	708820-1
5	5.77	9.99	5.0	8.65	7E 150-50 CU	708816-1
5	6.93	9.24	6.0	8.0	7E 120-70 CU	708819-1
5	5.14	8.08	4.45	7.0	7E 95-35 CU	708817-1
9	4.45	3.81	3.85	3.3	7E 25-16 CU	708815-1
9	3.35	2.54	2.9	2.2	7E 10-6 CU	708818-1
CRIMPING WIDTH	D	C	B	A	DESCRIPTION	PART NUMBER

2	1	SPRING
1	2	HALF DIE
SL NO	QTY	NAME

NOTES  
 1.TOLERANCES ACCORDING TO ISO-2769-mk.  
 2.BREAK THE SHARP ANGLES ON ALL AREAS EXECUTED IN RECTIFICATION.

THIS DRAWING IS A CONTROLLED DOCUMENT.		DWN N BASAVARAJ 10MAR2020			
DIMENSIONS: mm		CHK B.MILLOT 10MAR2020			
		APVD L.JONATHAN 10MAR2020	NAME 7E....CU		
TOLERANCES UNLESS OTHERWISE SPECIFIED:		PRODUCT SPEC	RESTRICTED TO		
0 PLC ± 1 PLC ± 2 PLC ± 3 PLC ± 4 PLC ± ANGLES ± FINISH ±		APPLICATION SPEC	SIZE A3	CAGE CODE 00779	DRAWING NO C-708815
MATERIAL PROTECTED STEEL		WEIGHT	SCALE 2:1		
		CUSTOMER DRAWING	SHEET 1 OF 1		REV A