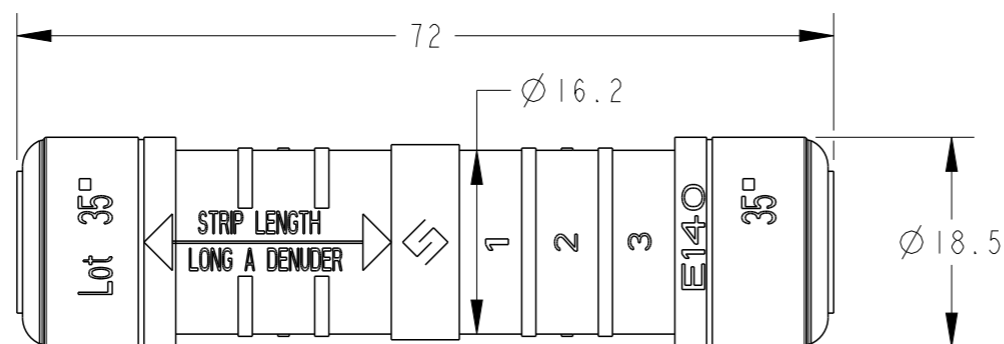
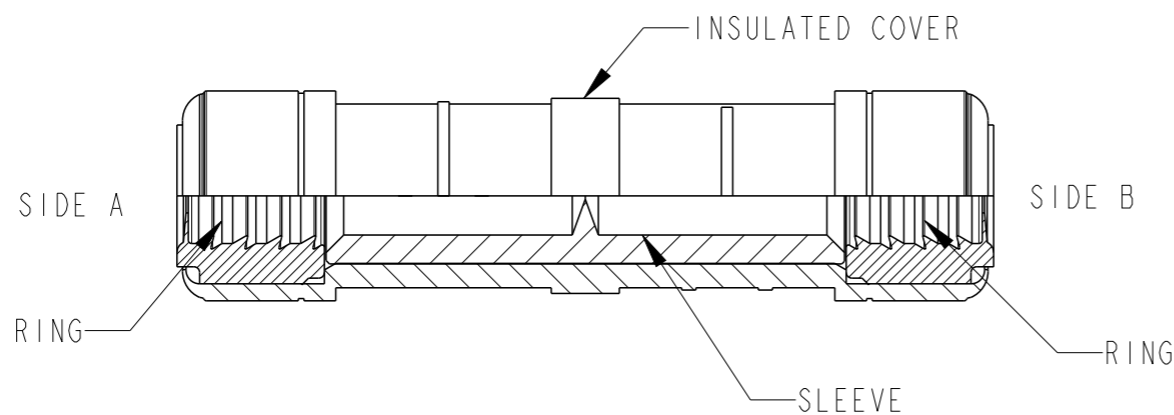


P	LTR	DESCRIPTION	DATE	DWN	APVD
	A	NEW DRAWING	30AUG2021	RS	LJ



- NOTES:  
 1. MARKING: MJPBS, CROSS SECTIONS, BATCH, DIE REFERENCE  
 2. DIE REFERENCE: E140



21mm <sup>2</sup> CU STRANDED	21mm <sup>2</sup> CU STRANDED	MJPBS 21CU-21CU	1-709145-1
21mm <sup>2</sup> CU STRANDED	35mm <sup>2</sup> AL SOLID	MJPBS 35M-21CU	1-709145-0
21mm <sup>2</sup> CU STRANDED	25mm <sup>2</sup> AL SOLID	MJPBS 25M-21CU	709145-9
35mm <sup>2</sup> AL SOLID	35mm <sup>2</sup> AL SOLID	MJPBS 35M-35M	709145-6
35mm <sup>2</sup> AL SOLID	25mm <sup>2</sup> AL SOLID	MJPBS 25M-35M	709145-5
25mm <sup>2</sup> AL SOLID	25mm <sup>2</sup> AL SOLID	MJPBS 25M-25M	709145-4
35mm <sup>2</sup> AL SOLID	16mm <sup>2</sup> AL SOLID	MJPBS 16M-35M	709145-3
SIDE B		SIDE A	
PRE-INSULATED UNDERGROUND JUNCTION SLEEVE FOR CONDUCTORS		DESCRIPTION	PART NUMBER

THIS DRAWING IS A CONTROLLED DOCUMENT.		DWN 30AUG2021 RAVI.S		
DIMENSIONS: mm		CHK 30AUG2021 M.BENOIT		
TOLERANCES UNLESS OTHERWISE SPECIFIED:		APVD 30AUG2021 L.JONATHAN	NAME MJPBS....	
		PRODUCT SPEC	RESTRICTED TO	
MATERIAL		APPLICATION SPEC	SIZE A3	CAGE CODE 00779
FINISH		WEIGHT	DRAWING NO. C-709145	REV A
		CUSTOMER DRAWING	SCALE 1:1	SHEET 1 OF 1