

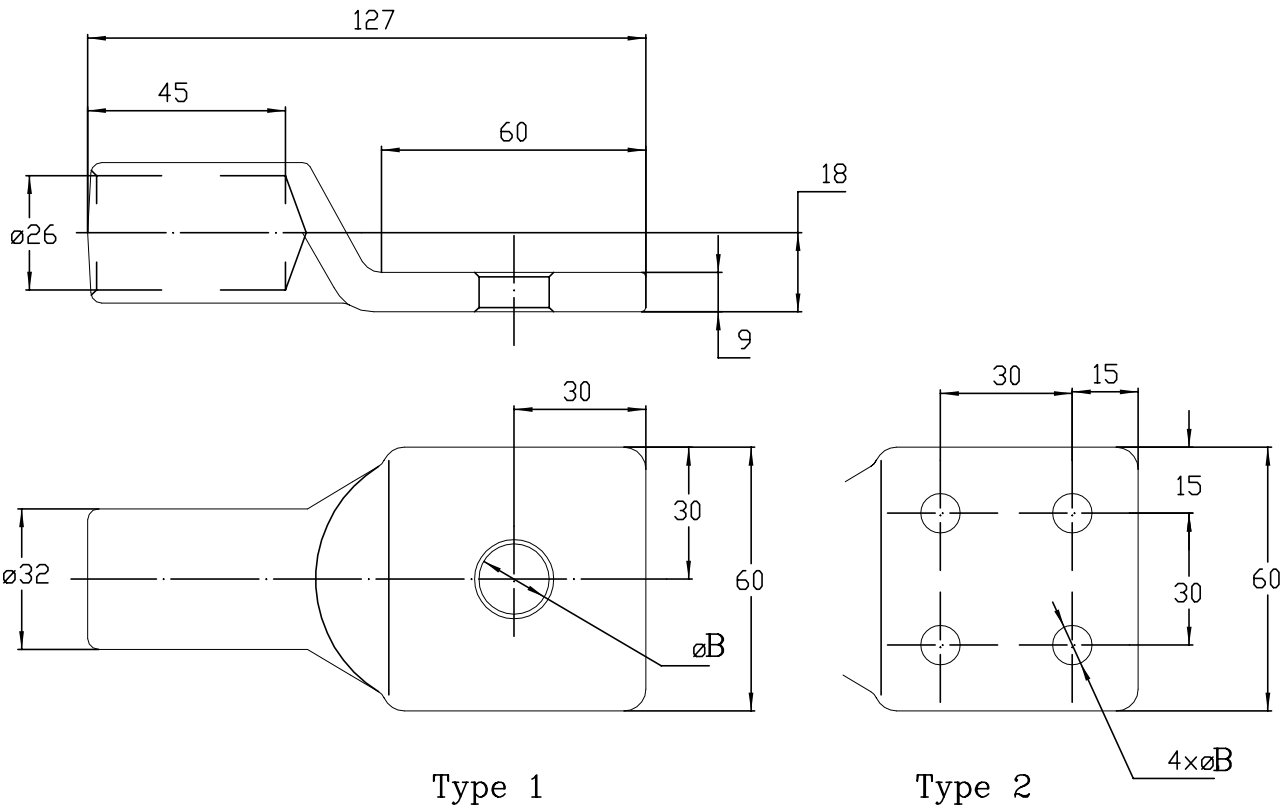
LOC		DIST		REVISIONS				
P	LTR REV	DESCRIPTION MODIFICATIONS			DATE	DWN DESS.	APVD APP.	
		D		Creation	23-Nov-99	CA	JT	
		A		Added reference	28-Jan-00	CA	JT	
		B		Added reference	16-Jul-03	GC	JT	
		C		PN 1-709221-4 ADDED AS PER ECO-21-007973	23-Aug-21	RS	LJ	

MARQUAGE: REFERENCE, LOGO, LOT FAB., OUTILLAGE

OUTILLAGE: E 400 CU

MARKING: REFERENCE, LOGO, DATE, DIE

DIE: E 400 CU



Type 1

Type 2

ETAMÉ / TINNED	-	without hole	DPD7 400 60X60 NP T	1-709221-4
ETAMÉ / TINNED	1	14,5	DPD7 400/60x60-D14,5 T	1-709221-3
ETAMÉ / TINNED	2	9	DPD7 400/60x60-4D9x30 T	709221-6
N.A	1	20	DPD7 400/60x60-D20	709221-4
N.A	2	16,5	DPD7 400/60x60-2D16,5x33	709221-3
N.A	1	14,5	DPD7 400/60x60-D14,5	709221-2
N.A	-	without hole	DPD7 400/60x60-NP	709221-1
PROTECTION	Type	ø B	DESCRIPTION	Part Number

RELEASED FOR PUBLICATION

ALL RIGHTS RESERVED
Tous droits réservés

BY TYCO ELECTRONICS SIMEL

THIS DRAWING IS UNPUBLISHED.
DIFFUSION RESEINTE AMP

© COPYRIGHT 19

DIMENSIONS: mm	DWN / DESSINE ANDRE	27-Jan-00	MATERIAL MATIERE	Cuivre / Copper	FINISH FINITION	-
	CHK / VERIFIE GOLDITE	-		 21220 Gevrey Chambertin FRANCE		
TOLERANCES UNLESS OTHERWISE SPECIFIED PER TOLERANCES NON SPECIFIEES SELON : -	APVD / APPROUVE THIARD	-		NAME TITRE	DPD7 400/60x60 ..	
	PRODUCT SPEC SPEC. PRODUIT	-	SIZE FORMAT	A4	CAGE CODE	00779
	APPLICATION SPEC SPEC. APPLICATION	-	DRAWING NO No PLAN	C = 709221		
	WEIGHT MASSE APPROX.	450g	UNIQUEMENT POUR REFERENCE	SCALE ECHELLE	- /	SHEET FEUILLE
CUSTOMER DWG / PLAN CLIENT			1 OF DE 1	REV	C	