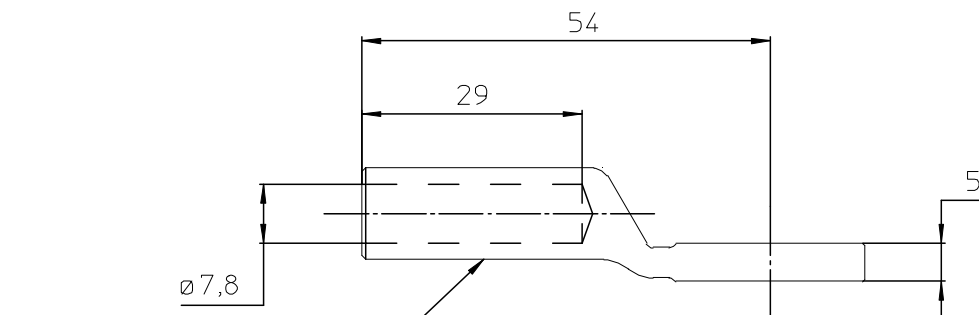
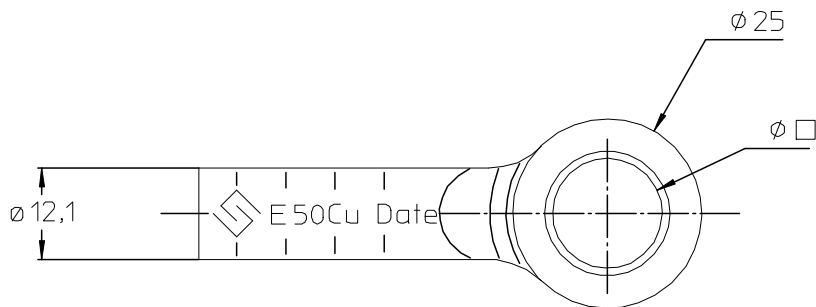


LOC		DIST		REVISIONS					
P	LTR	REV	DESCRIPTION	MODIFICATIONS	DATE	DWN	DESS.	APVD	APP.
	D		Version anglaise		04-May-01	JT		JT	



MARQUAGE/MARKING:
 | | | |
 DPD7 29/25 E100 DATE
 | | | |



RELEASED FOR PUBLICATION

THIS DRAWING IS UNPUBLISHED.
DIFFUSION RESEINTE AMP

BY AMP INCORPORATED. ALL RIGHTS RESERVED. TOUS DROITS RESERVES.

© COPYRIGHT 19

uniquement pour EDF	16,5	67 07 722 67 07 712	DPD7 29/25 D16,5 E	709290-3
	14,5	67 07 720 67 07 710	DPD7 29/25 D14,5 E	709290-1
	12,5	67 07 718 67 07 708	DPD7 29/25 D12,5 E	709290-4
	10,5	67 07 716 67 07 706	DPD7 29/25 D10,5 E	709290-2
Ø A		CODETS EDF	DESCRIPTION	Part Number

DIMENSIONS: mm	DWN /DESSINE ANDRE 23-Apr-99	MATERIAL MATIERE Cuivre ETP/Copper	FINISH FINITION étamé/tinned		
TOLERANCES UNLESS OTHERWISE SPECIFIED PER TOLERANCES NON SPECIFIEES SELON :	CHK /VERIFIE BAIJOT -	AMP SIMEL 21220 Gevrey Chambertin FRANCE			
	APVD /APPROUVE THIARD -				
	PRODUCT SPEC SPEC. PRODUIT -	NAME TITRE DPD7 .. (EDF)			
	APPLICATION SPEC SPEC. APPLICATION -	SIZE FORMAT A4	CAGE CODE 00779		
	WEIGHT MASSE APPROX. -	DRAWING NO No PLAN © = 709290			
CUSTOMER DWG / PLAN CLIENT		UNIQUEMENT POUR REFERENCE	SCALE ECHELLE - / -	SHEET FEUILLE 1 OF 1 DE 1	REV D