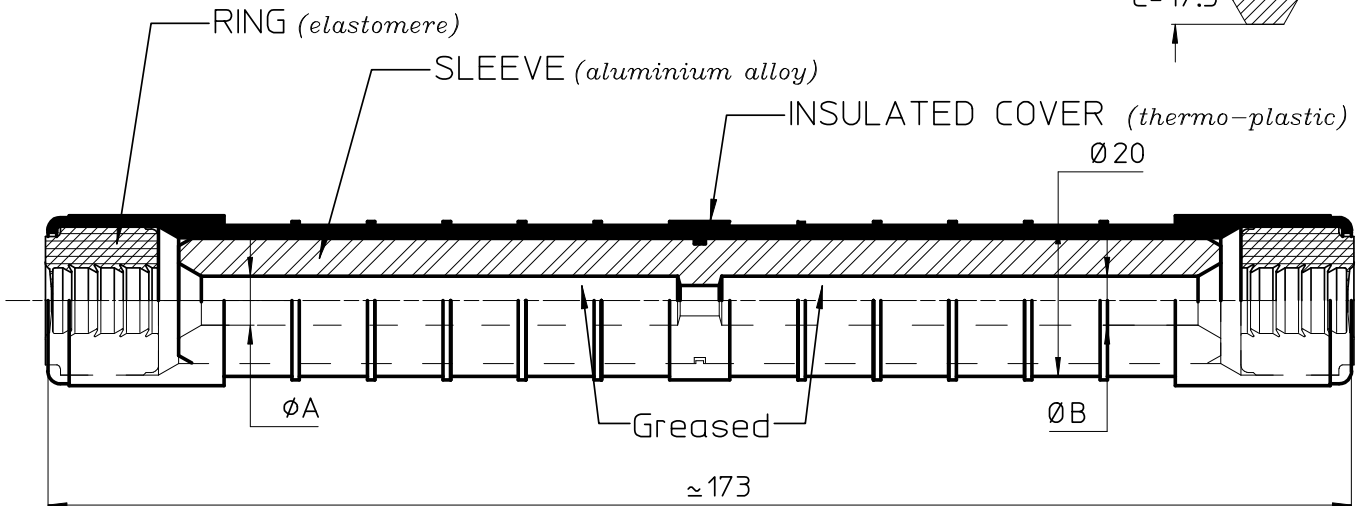
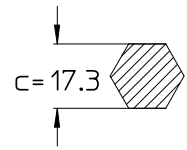


LOC	DIST	REVISIONS				
P	LTR REV	DESCRIPTION MODIFICATIONS	DATE	DWN DESS.	APVD APPR	
FH	00	H	MISE A JOUR indice avec docmanager	17-Dec-08	CA	GP
		J	MISE A JOUR 10.5 à 10.8 sur MJPT70N	10/01/14	JB	AG

MARKING: REFERENCE, DIE, , DATE

DIE: E173 *Size across flat*



RING COLOR CODE:

- 54: black
- 70: white
- 80: grey

Number of crimps: 2x6 (width=9mm)

CONDUCTORS		code	REFERENCE	Dimensions (mm)	
cond.A mm ²	cond.B mm ²			ØA	ØB
54	54	709347-1	*MJPT 54 X100	10	10
54	54	709347-2	MJPT 54	10	10
70	54	709347-3	MJPT 70N-54	10.8	10
70	70	709347-4	MJPT 70N	10.8	10.8
80	80	709347-5	MJPT 80N	11.2	11.2

RELEASED FOR PUBLICATION


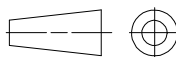
ALL RIGHTS RESERVED.
TOUS DROITS RESERVES

BY TYCO ELECTRONICS CORPORATION

COPYRIGHT 2007

©

THIS DRAWING IS UNPUBLISHED.
DIFFUSION RESTREINTE

DIMENSIONS: mm	DWN /DESSINE C.ANDRE	17-Dec-08	MATERIAL MATIERE	-	FINISH FINITION	-
	CHK /VERIFIE E.DEREY	-	 TE connectivity SIMEL PRODUCTS			
TOLERANCES UNLESS OTHERWISE SPECIFIED PER TOLERANCES NON SPECIFIEES SELON :-	APVD /APPROUVE G.NEDELLEC	-				
	PRODUCT SPEC SPEC. PRODUIT	-	SIZE FORMAT	A4	CAGE CODE	00779
	APPLICATION SPEC SPEC. APPLICATION	-	DRAWING NO No PLAN	© = 709347		RESTRICTED TO RESERVE A
	APPROX. WEIGHT MASSE APPROX.	-	CUSTOMER DWG / PLAN CLIENT	UNIQUEMENT POUR REFERENCE	SCALE ECHELLE	1:1
				SHEET FEUILLE	1 OF 1 DE 1	REV J