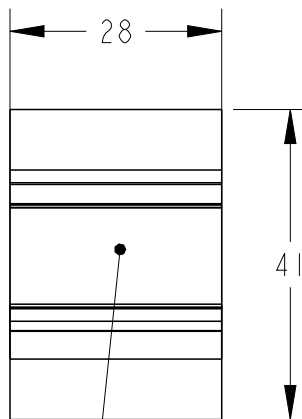
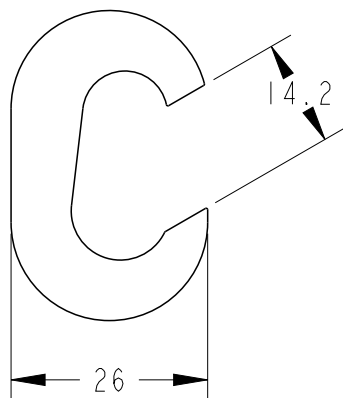
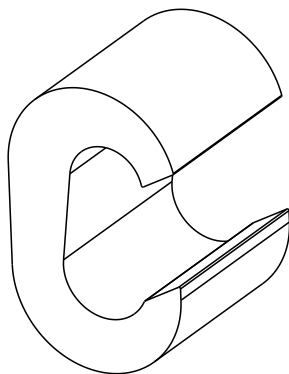


REVISIONS					
P	LTR REV	DESCRIPTION MODIFICATIONS	DATE	DWN DESS.	APVD APP.
	A	CREATION	19JAN2015	BM	GN
	C	ECR-21-000295	11JAN2021	JB	GN



Marking :
 C70E - X260Cu-E95Cwv
 'LOGO' - '#LOT'
 70/70 YYYY

YYYY= Manufacturing year



SCALE 1:1

C70E	709642-5
DESCRIPTION	PART NUMBER

RELEASED FOR PUBLICATION
 LIBRE A LA DIFFUSION


ALL RIGHTS RESERVED.
 TOUS DROITS RESERVES.

THIS DRAWING IS UNPUBLISHED.
 DIFFUSION RESTREINTE AMP

BY -

© COPYRIGHT 20

TOLERANCES UNLESS OTHERWISE SPECIFIED: -
 TOLERANCES NON SPECIFIEES: -

DIMENSIONS: mm	DWN /DESSINE B. MILLOT 19JAN2015	MATERIAL MATIERE Copper	FINISH FINITION Tinned	
 TOLERANCES UNLESS OTHERWISE SPECIFIED: TOLERANCES NON SPECIFIEES (SUIVANT LE NB DE DECIMALES): 0 PLC /DEC: ±0 1 PLC /DEC: ±0.1 2 PLC /DEC: ±0.05 3 PLC /DEC: ±0.02 4 PLC /DEC: ±0.01 ANGLES ±- 	CHK /VERIFIE E. DEREY	 TE Connectivity		
	APVD /APPROUVE G. NEDELLEC			
	PRODUCT SPEC SPEC. PRODUIT -	NAME TITRE C70E	SIZE FORMAT A4	CAGE CODE -
	APPLICATION SPEC SPEC. APPLICATION -	DRAWING NO No PLAN C=709642-5	RESTRICTED TO RESERVE A	
WEIGHT MASSE APPROX. 125g	CUSTOMER DRAWING /PLAN CLIENT	UNIQUEMENT POUR REFERENCE	SCALE ECHELLE 1:1	
		SHEET FEUILLE	OF DE	
		REV C		