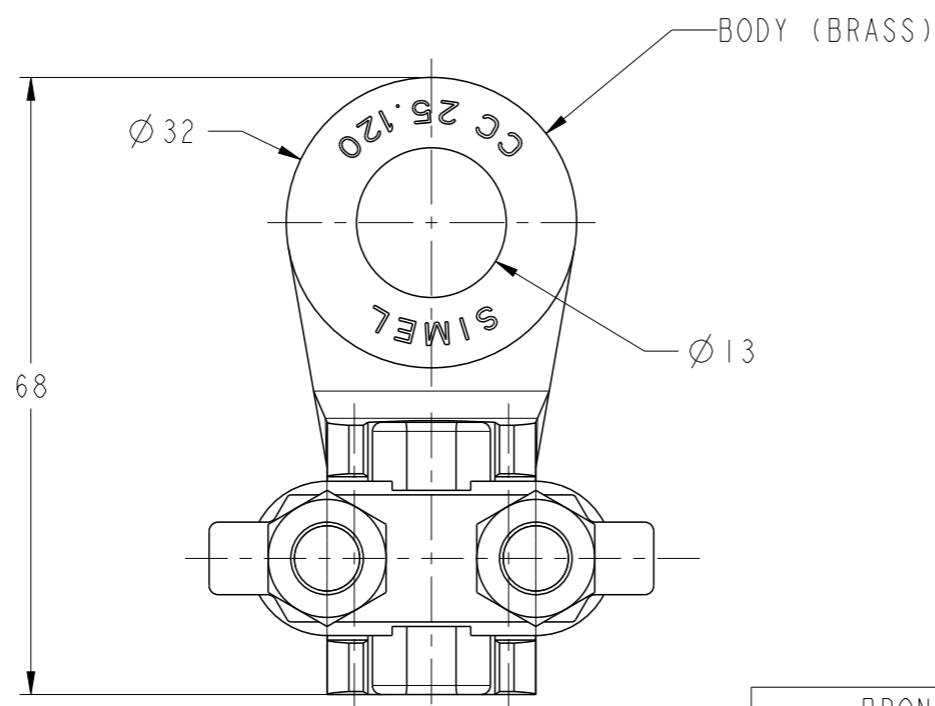
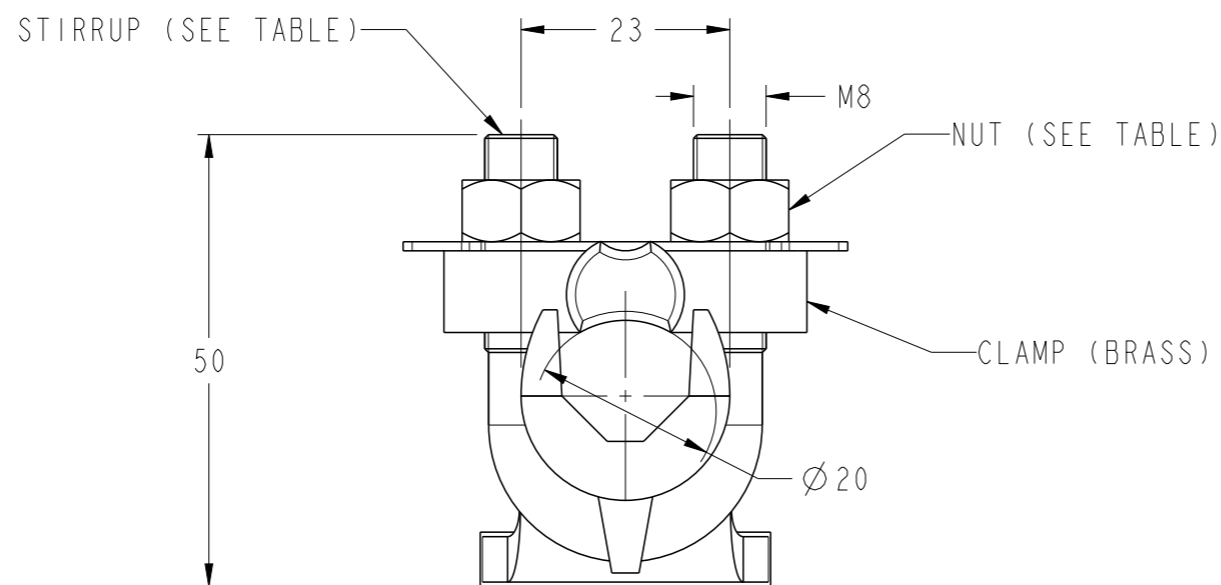


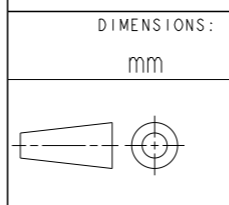
REVISIONS

P	LTR	DESCRIPTION	DATE	DWN	APVD
	A	NEW DRAWING	23AUG2021	RS	LJ



BRONZE	198.4	25 to 120	CC 25-120 B CD25120B	709679-1
STAINLESS STEEL	190		CC 25-120 A CD25120A	709678-1
STIRRUP & NUT MATERIAL	WEIGHT (g)	SECTION (mm ²)	DESCRIPTION	PART NUMBER

THIS DRAWING IS A CONTROLLED DOCUMENT.



MATERIAL -

DIMENSIONS: mm

TOLERANCES UNLESS OTHERWISE SPECIFIED:

0 PLC	±-
1 PLC	±-
2 PLC	±-
3 PLC	±-
4 PLC	±-
ANGLES	±-
FINISH	-

DWN	RAVI.S	23AUG2021
CHK	M.BENOIT	23AUG2021
APVD	L.JONATHAN	23AUG2021

NAME CC 25-120 X CD25120X



PRODUCT SPEC	-
APPLICATION SPEC	-
WEIGHT	-

SIZE	CAGE CODE	DRAWING NO	RESTRICTED TO
A3	00779	709678	-

CUSTOMER DRAWING	SCALE 5:1	SHEET 1 OF 1	REV A
------------------	-----------	--------------	-------