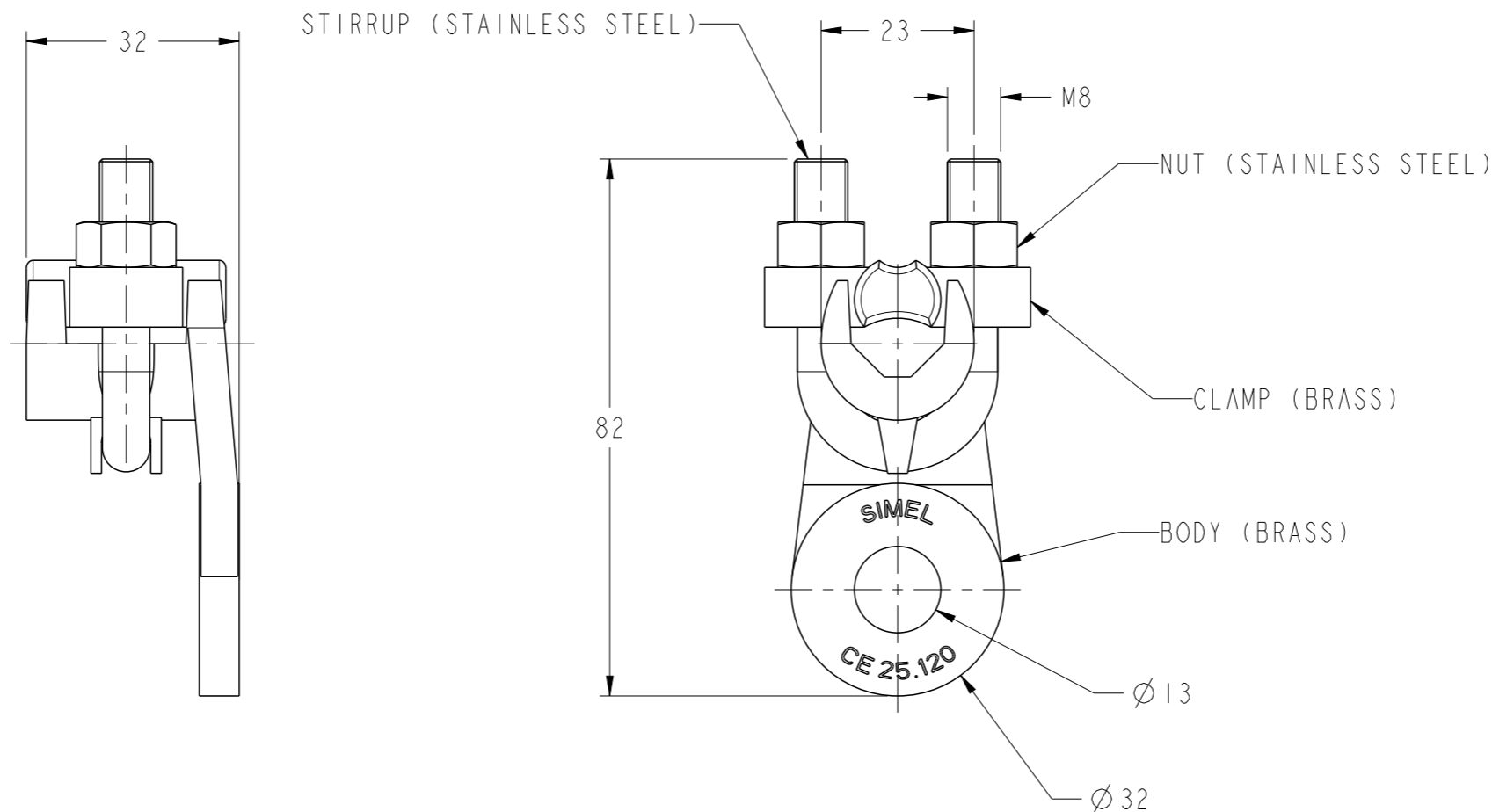


REVISIONS

P	LTR	DESCRIPTION	DATE	DWN	APVD
	A	NEW DRAWING	30AUG2021	RS	LJ



176	25 to 120	CE 25-120 A	709682-1
WEIGHT (g)	CROSS SECTION (mm <sup>2</sup> )	DESCRIPTION	PART NUMBER

THIS DRAWING IS A CONTROLLED DOCUMENT.		DWN RAVI.S 30AUG2021	<b>TE</b> TE Connectivity	
DIMENSIONS: mm		CHK M.BENOIT 30AUG2021		
TOLERANCES UNLESS OTHERWISE SPECIFIED:		APVD L.JONATHAN 30AUG2021	NAME CE 25-120 A	
0 PLC ±-		PRODUCT SPEC	-	
1 PLC ±-		APPLICATION SPEC	-	
2 PLC ±-		WEIGHT	-	
3 PLC ±-		SIZE	CAGE CODE	DRAWING NO
4 PLC ±-		A3	00779	709682
ANGLES ±-		RESTRICTED TO		
FINISH		-		
MATERIAL		-		
		CUSTOMER DRAWING		SCALE 5:1 SHEET 1 OF 1 REV A