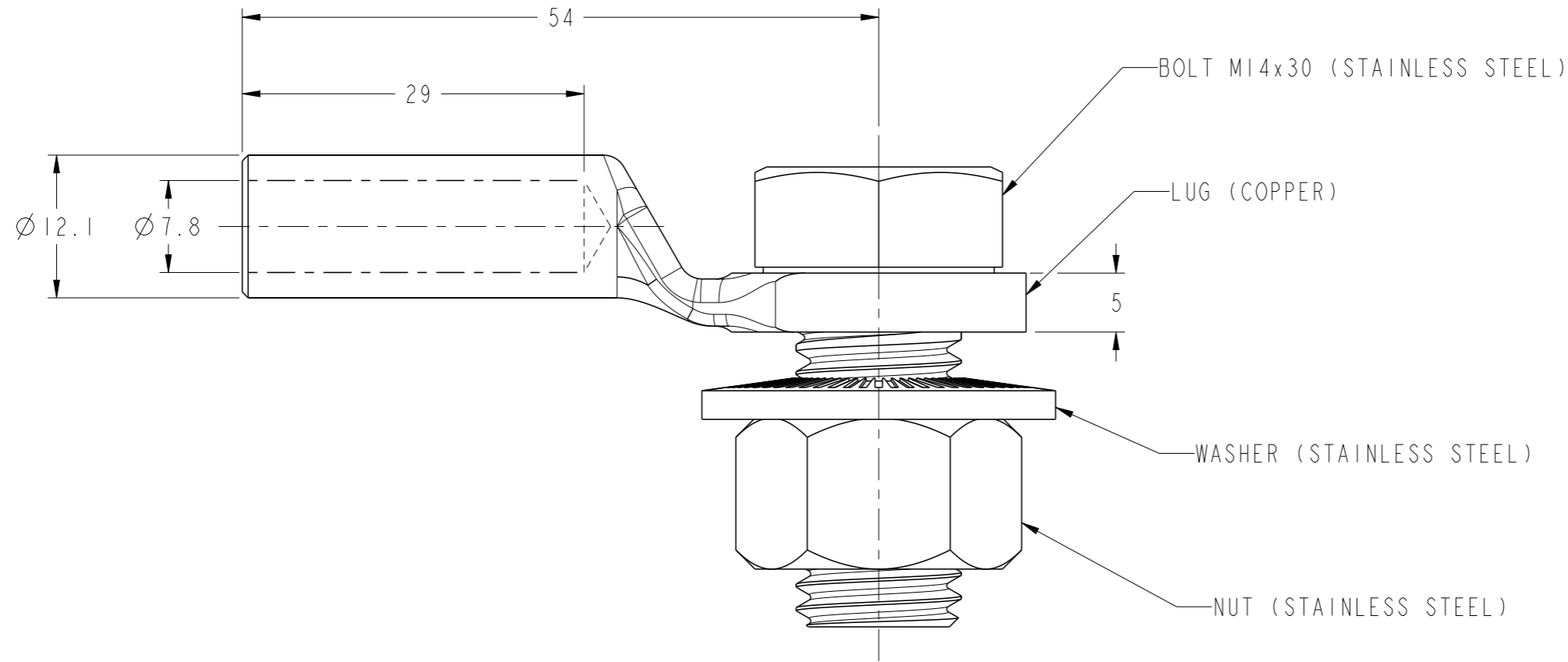

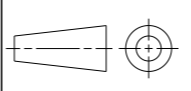


P	LTR	DESCRIPTION	DATE	DWN	APVD
	A	NEW DRAWING	30AUG2021	RS	LJ

NOTES:  
 1. MARKING: REFERENCE, LOGO, BATCH NO., DIE REFERENCE  
 2. DIE REFERENCE: E 50 CU



111	29	DPD7 29/25 D14,5 E + BOULON	711521-1
WEIGHT (g)	CROSS SECTION (mm <sup>2</sup> )	DESCRIPTION	PART NUMBER

THIS DRAWING IS A CONTROLLED DOCUMENT.		DWN	30AUG2021		
DIMENSIONS: mm		CHK	M. BENOIT 30AUG2021		
TOLERANCES UNLESS OTHERWISE SPECIFIED:		APVD	L. JONATHAN 30AUG2021		
		0 PLC ±- 1 PLC ±- 2 PLC ±- 3 PLC ±- 4 PLC ±- ANGLES ±-		NAME DPD7 29/25 D14,5 E + BOULON	
MATERIAL		FINISH		PRODUCT SPEC	-
				APPLICATION SPEC	-
				WEIGHT	-
CUSTOMER DRAWING				SIZE	A3
				CAGE CODE	00779
				DRAWING NO	711521
				RESTRICTED TO	-
				SCALE	5:1
				SHEET	1 OF 1
				REV	A